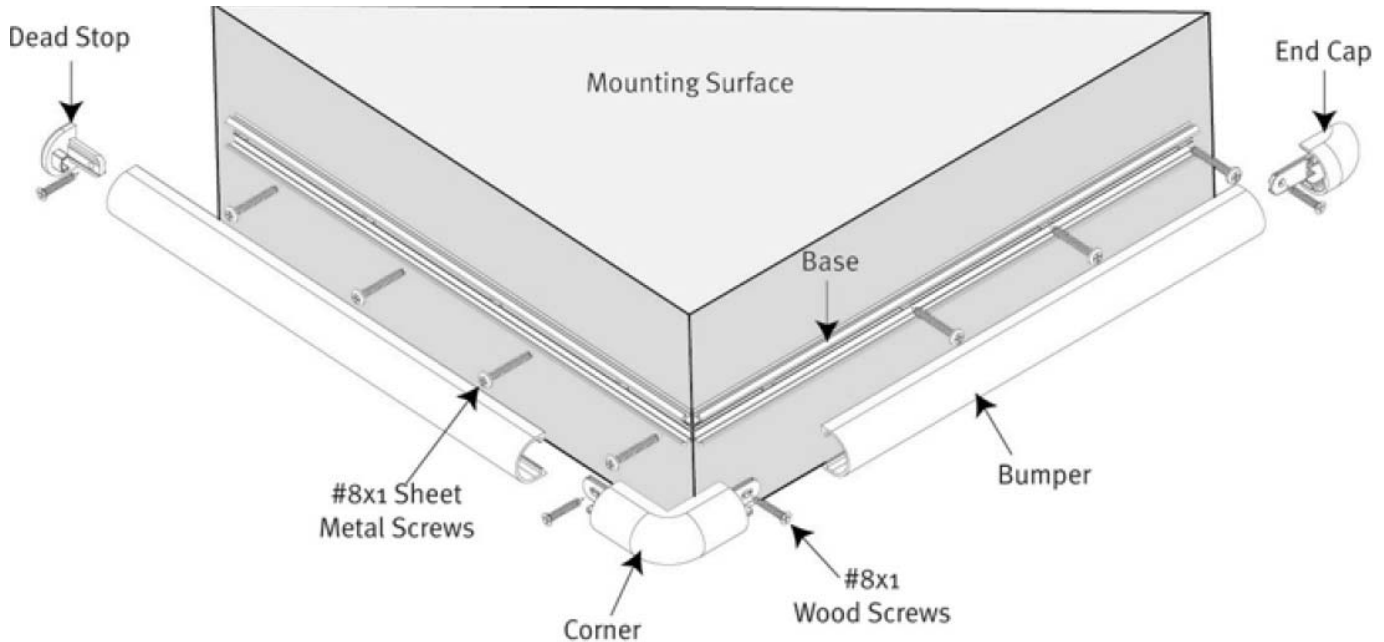


# McCue Bumper Installation Instructions

## McCue 1", 2", 3" and Elipse Bumper



### Tools Required:

- Hand mitre saw
- Tape measure
- Flat head screwdriver
- Phillips screw driver
- Pencil or chalk line
- Drill with Philips driver bit
- Rubber mallet
- Straight edge
- Cotton rags
- Non abrasive cleaner

### Important:

Bumper must be stored at room temperature for at least 24 hours before installing.

**If your bumper has a protective film on it, DO NOT** remove the protective film from the bumper until the final step.

**DO NOT** miter bumper to create corners.

**DO NOT** install end caps or corners unless there is a screw ¼" from the end of the base.

## Step 1: Mark the Case

Use a tape measure and chalk line (or pencil) to mark a line on the case where the top of the bumper will be placed (based on your bumper height specification).

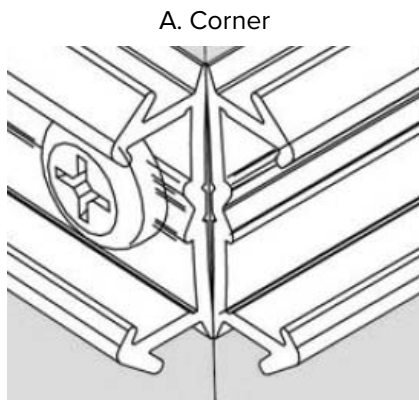
## Step 2: Cutting the Base

### Cutting the Base for Corners

The base pieces must end flush with the corner\* of the mounting surface (Figure A.) The base cannot overlap at the corner.

Use a mitre saw to cut the base flush with the edge of the corner.

\*Note: For 3" profile only, corner pieces require the base to be offset by 1/4" from the corner edge.

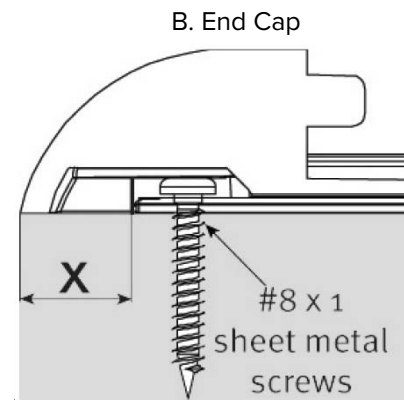


### Cutting the Base for End Caps

Use a mitre saw to cut the base short of the edge of the corner according to the measurements below, based on bumper profile.

"X" equals the distance from the edge of the corner to the end of base (Figure B.).

Bumper Profile	"X"	Bumper Profile	"X"
1" Bumper:	5/8"	2" Bumper:	7/8"
3" Bumper:	1"	Elliptical:	1.25"



### IMPORTANT: DEAD STOP APPLICATION

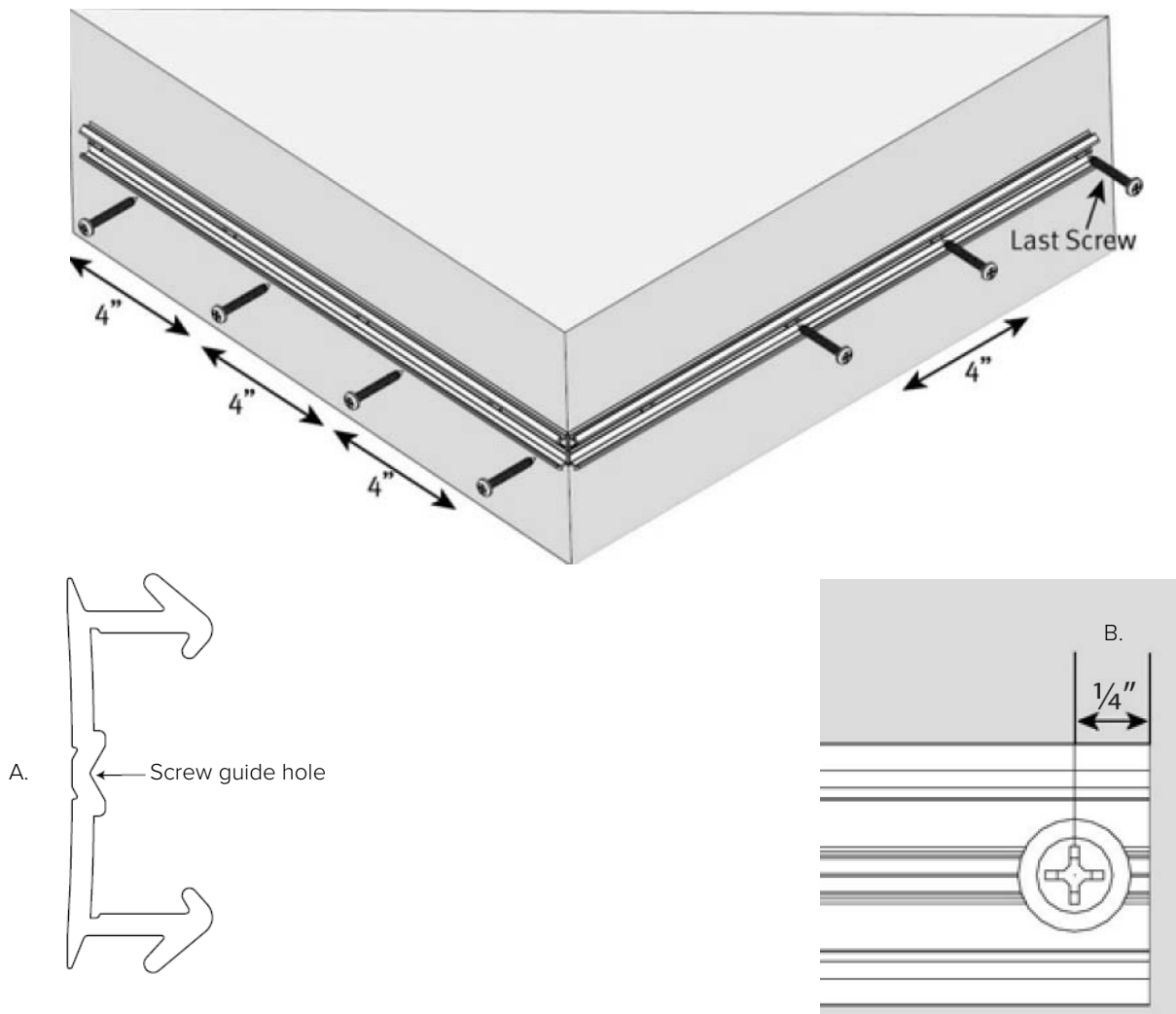
Dead stops should only be used when the edge of the case ends against a wall, another surface or another dead stop. When a dead stop must be used, do not place a screw 1/4" from the end of base. Instead, cut the base 1/4" short of the desired dead stop location. See Dead Stop Installation.

### Step 3: Installing the Base

Line up the top of the base with the penciled line on the case. Using a drill with a Phillips driver bit, attach the base to the mounting surface by placing #8 x 1 sheet metal screws in the screw guide holes (Figure A.) every 4 inches.

**DO NOT** over tighten screws.

**DO NOT** install end caps or corners unless there is a screw  $\frac{1}{4}$ " from the end of base (Figure B.)



## Step 4: Installing Corners

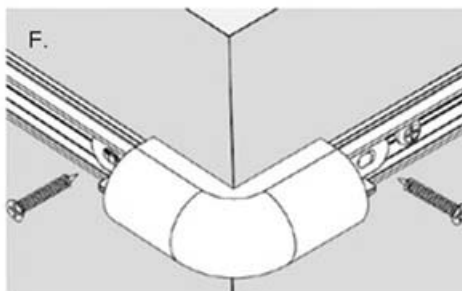
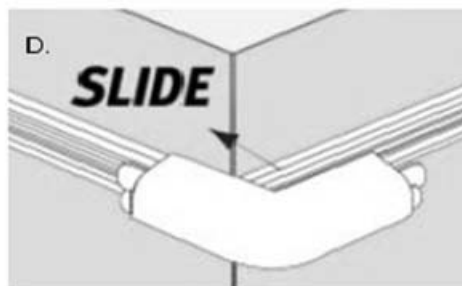
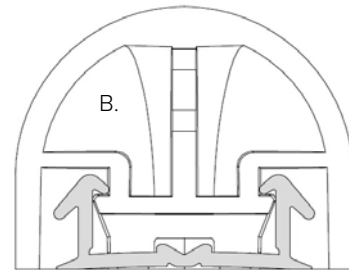
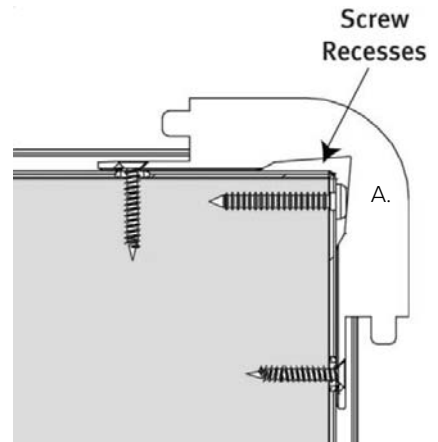
Corners have screw recesses which accommodate the screw that is positioned  $\frac{1}{4}$ " from the ends of the base (Figure A.)

The corners have hooks that must snap into the hooks on the base to perform correctly (Figure B.)

Snap one side of the corner onto the base. (Figure C.)

Slide the other side of the corner onto the base (Figure D.) and use a mallet covered with a cloth to engage the hooks and snap that side onto the base (Figure E.)

Screw the corner to the mounting surface using #8 x 1 wood screws (Figure F.) Be sure that the screws hold the corner tightly against the mounting surface.

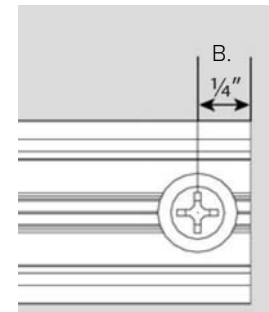
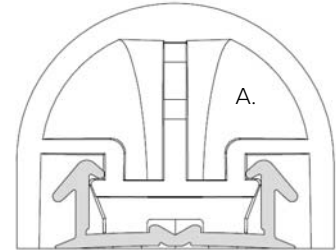
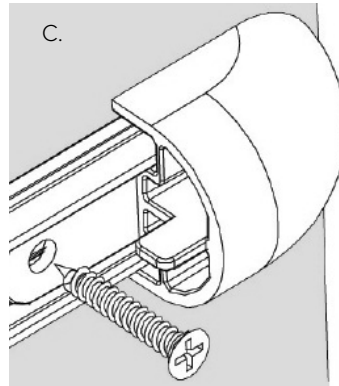


## Step 5: Installing End Caps

End caps have hooks which must engage with the base to perform correctly (Figure A.)

End caps have screw recesses which accommodate the screw placed  $\frac{1}{4}$ " from ends of base (Figure B.)

Screw end caps to the mounting surface using #8 x 1 wood screws (Figure C.)

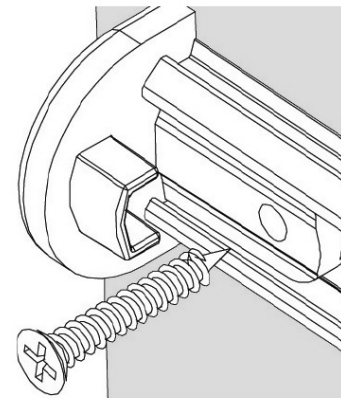


## Step 6: Installing Dead Stops

Important: Dead stops should only be used when the edge of the case ends against a wall, another surface or another dead stop.

Slide the dead stop flush with the cut end of base.

Secure dead stop with #8 x 1 wood screw.



## Step 7: Installing Bumper Tops

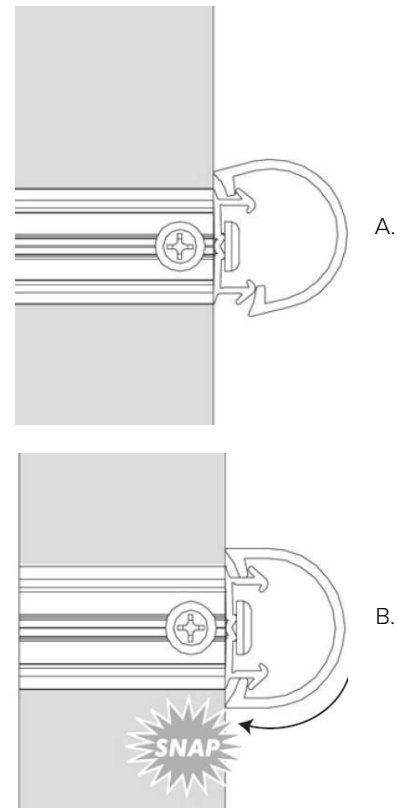
To ensure a proper fit, use a tape measure to measure the distance between the end caps and corners where the bumper top will be placed or hold the bumper top between the end caps and corners and mark the bumper with a pencil.

Use mitre saw to cut the bumper top at 1/16" longer than the measured length. Test fit to ensure that the bumper is not cut too short.

Deburr and clean all edges of the cut bumper prior to installation.

Hinge one side of the bumper onto the top track of the base (Figure A.) Then press the other side of the bumper onto the base. The bumper top should snap onto the base (Figure B.)

Use your hand or a rubber mallet covered with a cloth to ensure the entire length of the bumper top has properly engaged with the tracks on the base.



## Step 8: Final Inspection

Inspect bumper to be sure that the corners are flush with the edge and there is no gapping between the bumper top and the ends, corners or dead stops.

Installation is complete.

