

McCue Corporation

CartStop CG



CartStop Corner Guards are revolutionary in look, structure and scope of protection. They are the perfect compliment for today's more modern fixtures. Every CartStop Corner Guard model is fitted very close to the case, eliminating tripping hazards.

STRONG: Impact resistant polyethylene coupled with stainless steel legs and strike plate make CartStop CG one tough defender.

REMOVABLE: CartStop CG can be removed for easy floor cleaning.

SPEEDY INSTALL: Flange anchor system eliminates the need for messy adhesives or chemical resin. Just drill and hammer in the flange anchor /sleeve assembly. Job done.



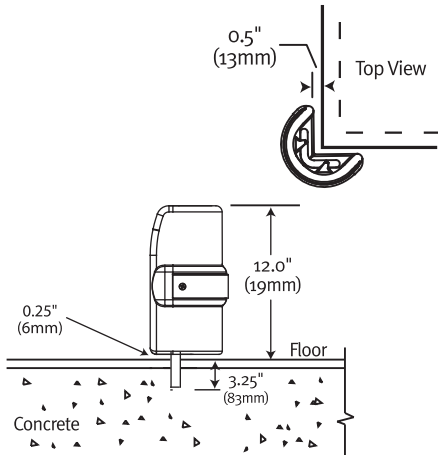
www.mccue.com

CartStop CG

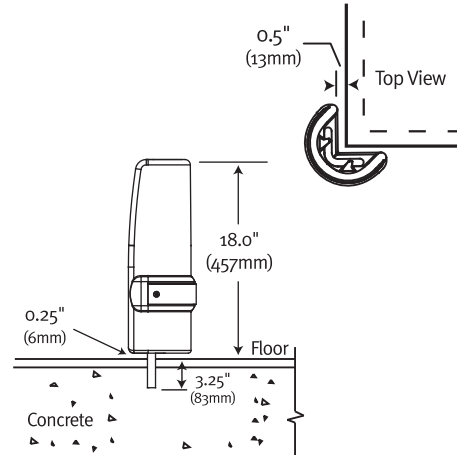
McCue Corporation

CartStop CG

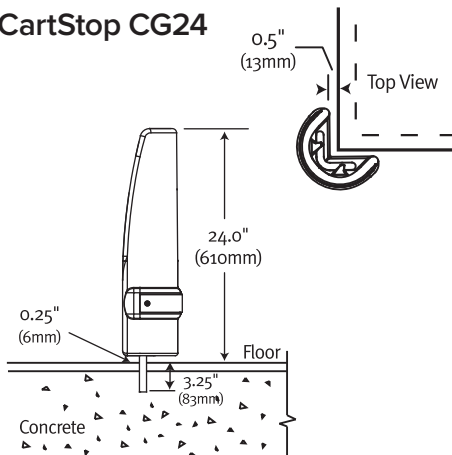
CartStop CG12



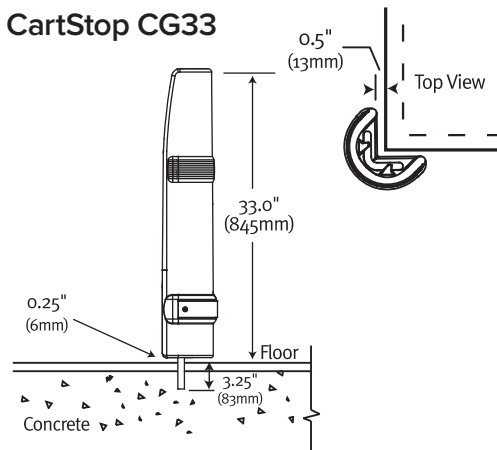
CartStop CG18



CartStop CG24



CartStop CG33



McCue
Corporation

McCue Corporation
Mount House, Bond Avenue, Mount Farm,
Milton Keynes, MK1 1SF, United Kingdom
Tel +44 (0)1908 365 511
Fax +44 (0)1908 365 527
Email uksales@mccue.com
www.mccue.com

©2011 McCue Corporation. Printed in USA
Patents pending.

Placing an order:

There are five easy ways to order:

- 1) Email to uksales@mccue.com
- 2) Tel +44 (0)1908 365 511
- 3) Fax +44 (0)1908 365 527
- 4) Post to McCue Corporation, Mount House,
Bond Avenue, Mount Farm, Milton Keynes,
MK1 1SF, United Kingdom
- 5) Online at www.mccue.com

(Rev. 02/11)