

McCue Corporation

CartStop FlexCore Bollard



Say goodbye to the time-consuming, cumbersome process involved with installing potted bollards. With no more holes to dig, concrete to pour or tubes to paint, the FlexCore Bollard can be installed in a fraction of the time and at a much lower cost. But rest assured, this ease of installation comes with no sacrifice in strength, due to FlexCore's innovative energy absorbing core technology. The FlexCore Bollard has undergone extensive testing to qualify it for use for all types of heavy duty applications.

STRONG: Energy absorbing design withstands impacts from pallet jacks, cars, forklifts or trucks, without damage to the concrete.

SPEEDY INSTALL: With only 3 bolts, the FlexCore Bollard can be installed in under 10 minutes; no core drilling.

EASILY RELOCATED: Because the FlexCore Bollard is not embedded in the ground, it can be easily removed or relocated.



Applications

- Roller Shutter Doors
- Entrances & Exits
- Walkways
- Car Parks
- Multi-Storey Car Parks
- Entrance Ways
- ATM Machines
- Retail Back of House
- Warehouses
- Electrical Installations

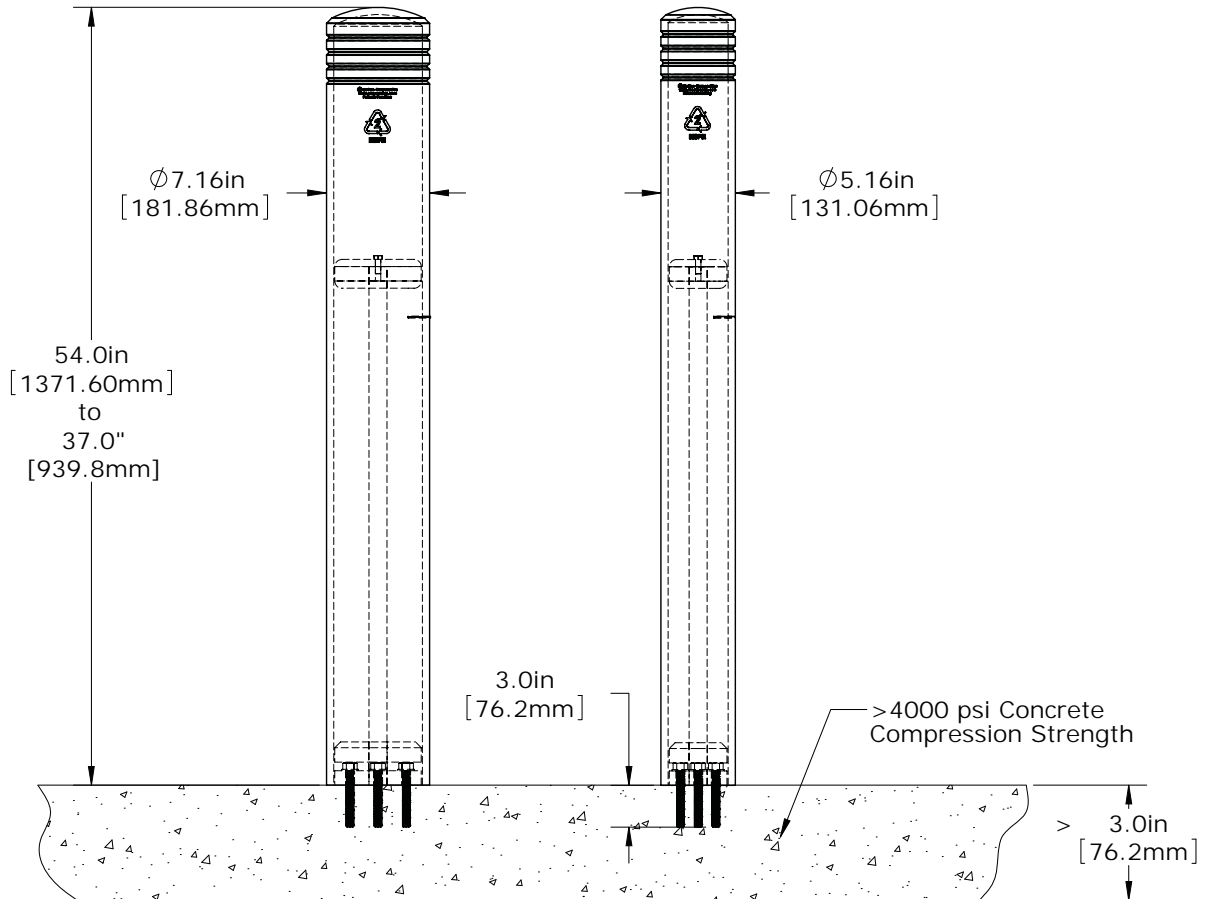


www.mccue.com

CartStop FlexCore Bollard

McCue Corporation

Cart**Stop** Flex**Core** Bollard



McCue
Corporation

McCue Corporation
Mount House, Bond Avenue, Mount Farm,
Milton Keynes, MK1 1SF, United Kingdom
Tel +44 (0)1908 365 511
Fax +44 (0)1908 365 527
Email uksales@mccue.com
www.mccue.com

©2011 McCue Corporation. Printed in USA
Patents pending.

Placing an order:

There are five easy ways to order:

- 1) Email to uksales@mccue.com
- 2) Tel +44 (0)1908 365 511
- 3) Fax +44 (0)1908 365 527
- 4) Post to McCue Corporation, Mount House,
Bond Avenue, Mount Farm, Milton Keynes,
MK1 1SF, United Kingdom
- 5) Online at www.mccue.com

(Rev. 02/11)