

McCue Corporation

CartStop SSCG



CartStop Adjustable Stainless Steel Corner Guards are ideal for the retailer who wants the simple, clean look of stainless with the same scope of protection of our plastic corner guards. All stainless steel construction with a brushed finish and rounded edges looks handsome while providing maximum damage prevention.

INNOVATIVE: Patented twist-and-lock technology allows adjustable legs to expand or contract 1/4" (6mm) in either direction allowing for easy installation.

REMOVABLE: CartStop SSCG can be removed for easy floor cleaning.

SPEEDY INSTALL: Flange anchor system eliminates the need for messy adhesives or chemical resin. Just drill and hammer in the flange anchor /sleeve assembly. Job done.



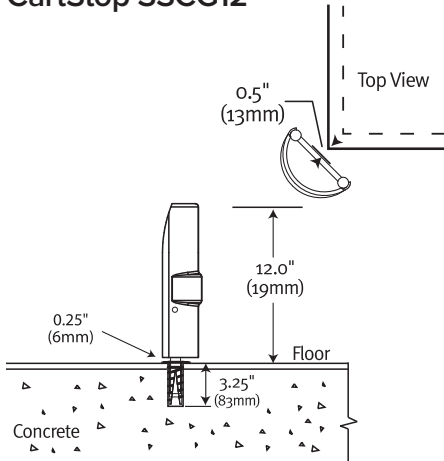
www.mccue.com

CartStop SSCG

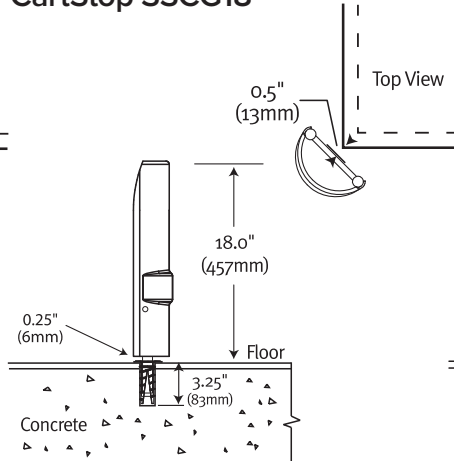
McCue Corporation

CartStop SSCG

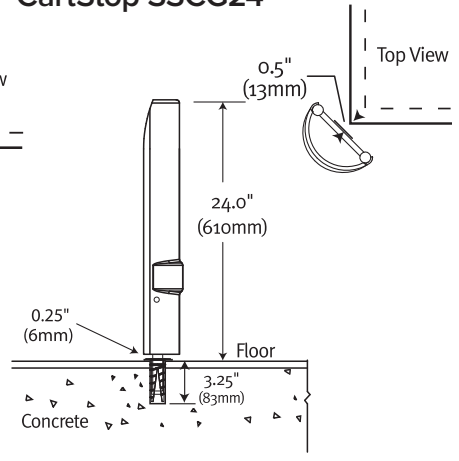
CartStop SSCG12



CartStop SSCG18



CartStop SSCG24



McCue
Corporation

McCue Corporation
Mount House, Bond Avenue, Mount Farm,
Milton Keynes, MK1 1SF, United Kingdom
Tel +44 (0)1908 365 511
Fax +44 (0)1908 365 527
Email uksales@mccue.com
www.mccue.com

©2011 McCue Corporation. Printed in USA
Patents pending.

Placing an order:

There are five easy ways to order:

- 1) Email to uksales@mccue.com
- 2) Tel +44 (0)1908 365 511
- 3) Fax +44 (0)1908 365 527
- 4) Post to McCue Corporation, Mount House,
Bond Avenue, Mount Farm, Milton Keynes,
MK1 1SF, United Kingdom
- 5) Online at www.mccue.com

(Rev. 02/11)