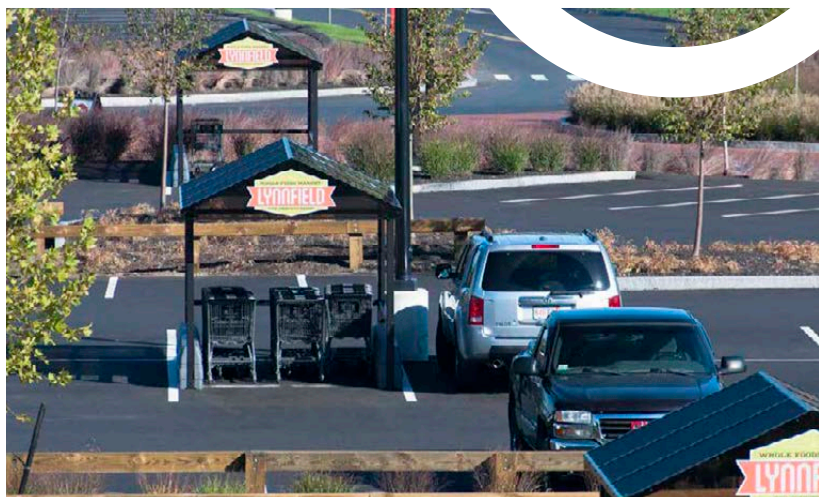


Improve the shopping experience in your parking lot



Cart Corrals & More

BECAUSE THE CUSTOMER
EXPERIENCE BEGINS AND
ENDS IN YOUR PARKING LOT.

Carts are drifters, eager to take off on the slightest breeze or incline—and always headed where they don't belong. We ensure customers put them in their place, so they're not denting cars or taking up valuable parking spaces. Our highly visible surface-mounted solutions are engineered for durability, space optimization and protection—all focused on your bottom line.

Savings

Contain the carts, increase productivity.

Effective cart return stations immediately reduce operation costs. McCue cart return stations are designed for easy visibility, which increases customer use. That means your employees spend less time gathering carts and more time being productive. It also means carts won't be blowing across the parking lot and damaging cars.



Strength

Nature can be tough, we can be tougher.

Our covered cart return stations are built to withstand harsh environmental conditions and road salt used in cold climates. They won't rust, fade or corrode, and are resilient against bumps from cars—protecting the return station and your customers' cars.



Selling

Extend your brand into the parking lot.

McCue cart return stations are the first thing customers see when they arrive at your store and the last thing they see when they leave. Our signage systems give you a permanent billboard for promotional messaging. Posters can be switched out easily to make the most of special offers—or even signs reminding customers to bring in their reusable shopping bags.



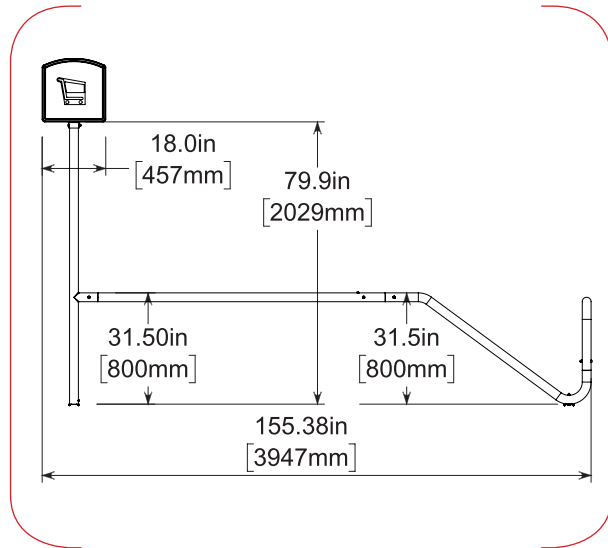
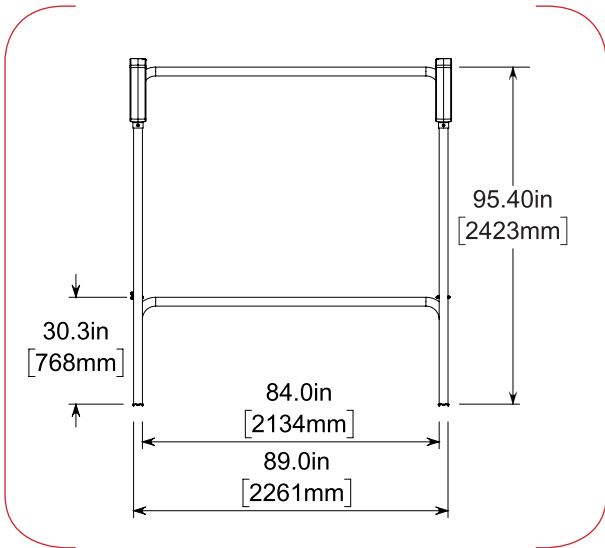
CartMagnet™ Cart Corral

Open Frame Cart Return Station

CartMagnet is attractive to shoppers and captivating to carts. This highly-visible and brand-enhancing cart corral is the cost-effective solution to stray shopping carts taking up valuable parking spaces.

- Available with or without bumper
- Increase Cart Return: Colorful front sign is easy to see over mini-vans and SUVs. Cart return is easier for customers and cart retrieval is easier for retailers
- Eliminate Tripping: Top-lock construction stabilizes the cart corral overhead so there is no ground frame to trip customers
- Quick Setup: The modular galvanized steel frame allows for quick installation or relocation and it resists rust
- Cleats at every corner minimize shifting
- Designed to fit into any standard parking space

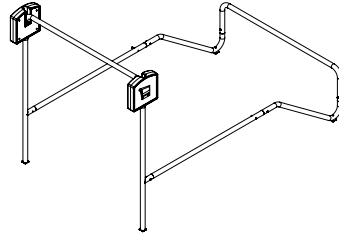




CartMagnet Standard

CM-3S-COLOR

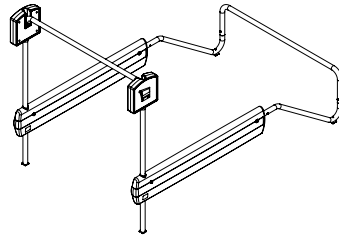
Material: Galvanized Steel, High Density Polyethylene



CartMagnet Bumper

CM-3B-COLOR

Material: Galvanized Steel, High Density Polyethylene



Optional Custom Accessories

Call for pricing and details.

- Front Sign
- Additional Side Sign
- Side Bumpers
- Lane Divider
- Ground Frame



Stock Colors

Available to ship within 3 weeks.



Custom Color Matching

50 unit minimum. Call for quote.

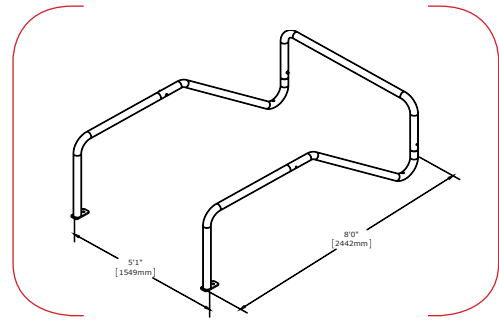
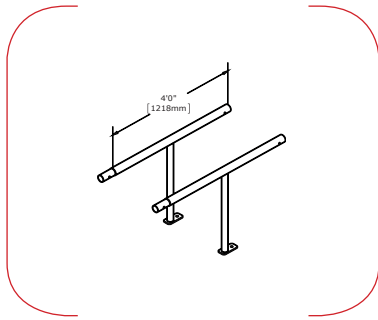
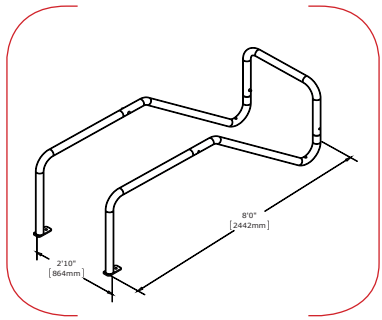
CartMagnet® Sidewalk

Sidewalk Cart Storage

If you have a store with limited outdoor or indoor space and no place to corral your shopping carts, then the CartMagnet Sidewalk unit is the ideal cart return station.

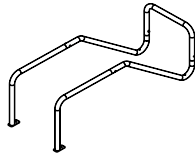
- Easy to install
- Modular design offers whatever length you need
- Galvanized steel construction
- Doesn't take up entire sidewalk area
- Simplified cart storage





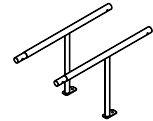
Single Cart Width

CMP1-SIDEWALK-8
8' length holds 6 carts



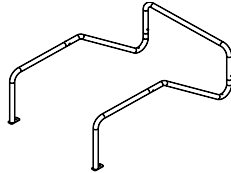
4' Extension Kit

CMC-SIDEWALK-EXTENDER-KIT
Set of two 4' extension sections combine to add length to base units in 4' increments
Each extension holds approximately 4 (single width) or 8 (double width) additional carts
(2) Concrete Anchor kits included



Double Cart Width

CMP2-SIDEWALK-8
8' length holds 12 carts



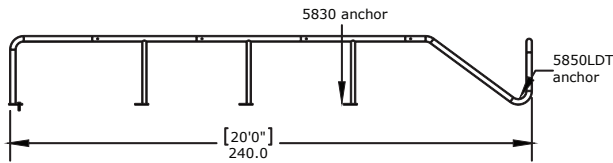
5/8 inch Concrete Anchor, 3"

CS-HARDWARE-5830
3 inches long, self threading, and with anti-rotation serrations to prevent back-out

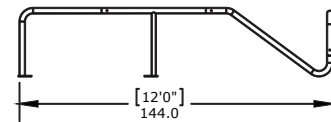


5/8 inch Concrete Anchor, 5"

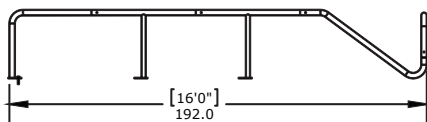
CS-HARDWARE-5850LDT
5 inches long, self threading, & with anti-rotation serrations to prevent back-out
Red Head 5/8" x 5" LDT



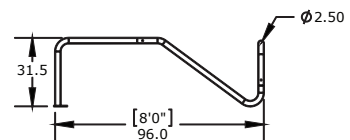
20' length with 3 extension kits



12' length with 1 extension kit



16' length with 2 extension kits



8' length standard

Lead Times

Available to ship within 3 weeks.

CartPark® Bumper

Open Cart Return Station with Bumpers

Chipping a car door on a cart return station is not the way to begin a positive shopping experience. That's why the sides of CartPark Bumper are made of one big bumper. The brightly-colored dual signs are situated at the front of the return station, high enough to be seen over vans and SUVs.

- Highly-visible, colorful signs are seen over mini-vans and SUVs, increasing voluntary shopping cart return
- Patented top-lock construction stabilizes the cart return station overhead so there is no ground frame to trip customers
- Snag-free storage area provides smooth cart return and cart pickup
- Molded side bumpers protect car doors from dings and dents, reducing damage claims
- Simple design assembles in minutes

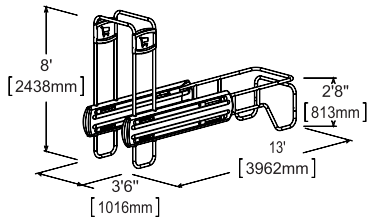


Single Entry Unit

Materials: Galvanized steel pipe & HDPE
Standard signs include screened shopping cart graphic

Single Cart Width with Barriers

BP1-COLOR
Cart Capacity: 11

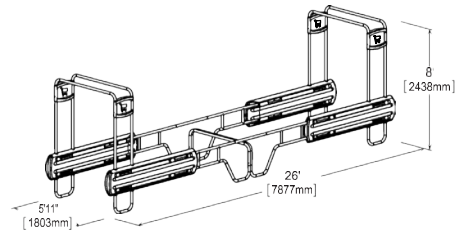


Double Entry Unit

Materials: Galvanized steel pipe & HDPE
Standard signs include screened shopping cart graphic

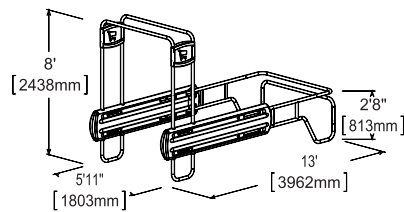
Double Cart Width with Barriers

BP2-BB-COLOR
Cart Capacity: 44



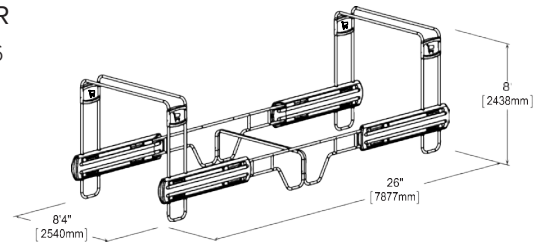
Double Cart Width with Barriers

BP2-COLOR
Cart Capacity: 22



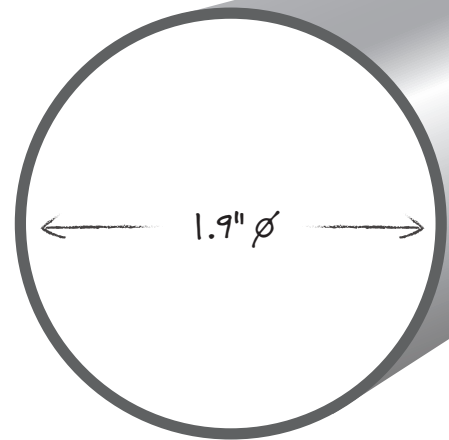
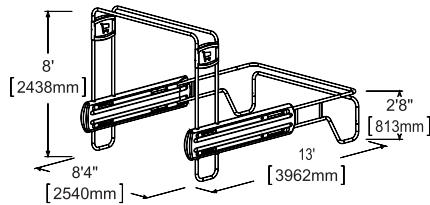
Triple Cart Width with Barriers

BP3-BB-COLOR
Cart Capacity: 66



Triple Cart Width with Barriers

BP3-COLOR
Cart Capacity: 33



Replacement Parts

Please call for part numbers and pricing when ordering replacement parts for older model cart return stations.



Stock Colors
Available to ship within 3 weeks.



Custom Color Matching
Minimums will apply. Allow 6-8 weeks for delivery.

CartPark® Bumper Accessories

Add-Ons and Accessories for Cart Return Stations

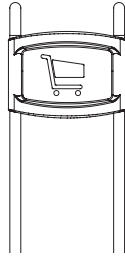
We offer a variety of CartPark accessories to satisfy every parking lot's needs—standard and custom signs, and custom graphics.



Plastic Side Sign with Cart Icon

BPC-SIGN-BM-COLOR

Replacement sign for the
BumperPark Cart Corrals



214
Forest
Green

521
Red

Stock Colors

Available to ship
within 3 weeks.

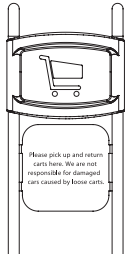
716
Blue

621
Natural

Additional Side Sign with Hardware

BPA-SIGN-KIT

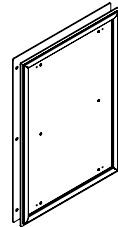
Attaches below standard blow-molded plastic sign. Standard aluminum white powder coated sign. Standard text printed in black on one side. Custom graphics available, call for details (15"L x 15"W).



Graphic Panel

BPA-GPH

2-Sided snap sign frame with lock and hardware. Attaches below standard shopping cart sign. Call for details.



Standard Front Sign with Hardware

BPA-FSIGN-KIT

Attaches to front cross bar. Pre-coated exterior aluminum sign. Standard sign text is printed in black and on one side. Custom graphics available, call for details. For BP3 & BP2 units only (94.4"L x 13.7"W and 64.9"L x 13.7"W)

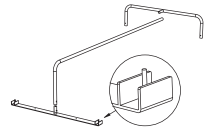


Lane Divider Kit for Double Cart Width

BP2-LD-KIT

Material: Galvanized steel pipe

Packed (1) Modified cross bar, (1) Modified ground frame with hardware

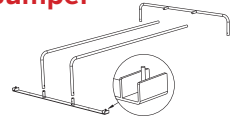


Lane Divider Kit for CartPark Bumper Triple Cart Width

BP3-LD-KIT

Material: Galvanized steel pipe.

Packed (1) Modified cross bar, (1) Modified ground frame with hardware

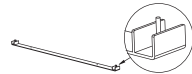


CartPark Bumper Ground Frame for Double Cart Width

BPC-GF2 (for BP2)

Material: Galvanized steel

Packed (1) Ground frame with hardware

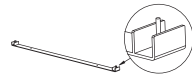


CartPark Bumper Ground Frame for Triple Cart Width

BPC-GF3 (for BP3)

Material: Galvanized steel

Packed (1) Ground frame with hardware



Lead Times

3 week standard lead time.



Custom Color Matching

Minimums may apply. Allow 6-8 weeks for delivery.

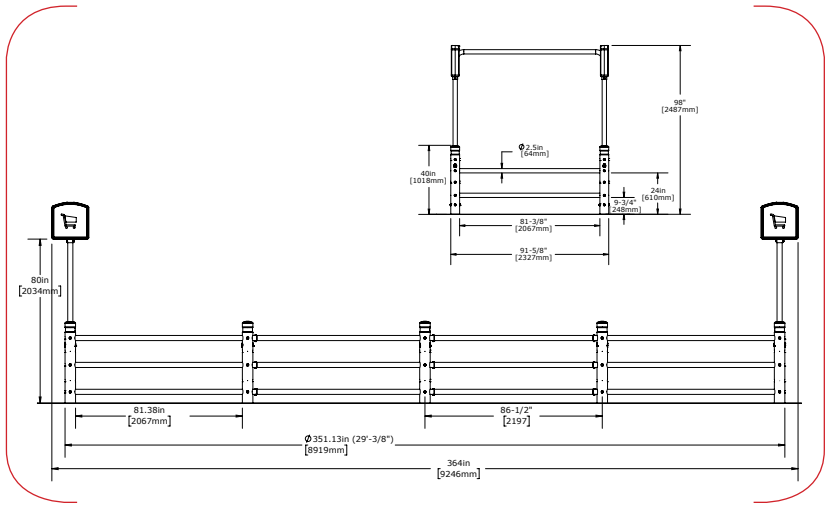
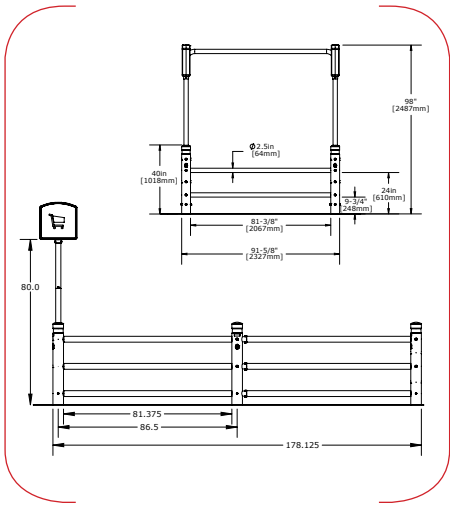
Bollard CartMagnet™

Open Frame Cart Return Station

Designed and engineered for exceptional durability, the Bollard CartMagnet dramatically increases voluntary cart return and can easily be seen over the highest SUVs and mini-vans. We've eliminated tripping hazards by removing ground frames. We've added strength and stability to the unit with top crossbars and stop bars.

- Surface Mounted—Metal cleats dig into the asphalt and minimizes movement inside the parking space
- Eye-catching new design—Bollard & rail construction are strong and offer a modern aesthetic to your parking lot
- Installation—Installs quick with standard hardware and tools





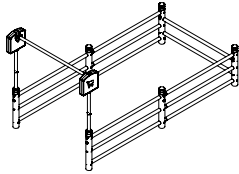
Bollard CartMagnet

BCM-3S-401

Single-sided cart entry.

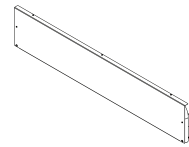
Material: HDPE & galvanized steel

36 Cart Capacity



Custom Graphics

Call for pricing and details



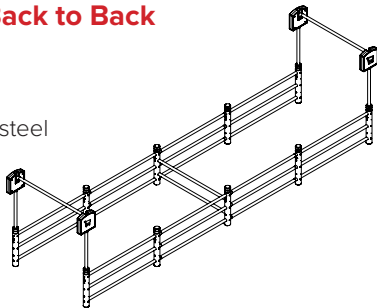
Bollard CartMagnet - Back to Back

BCM-3S-BB-401

Double-sided cart entry

Material: HDPE & galvanized steel

72 Cart Capacity



401
Black

Standard Colors
3 week lead.

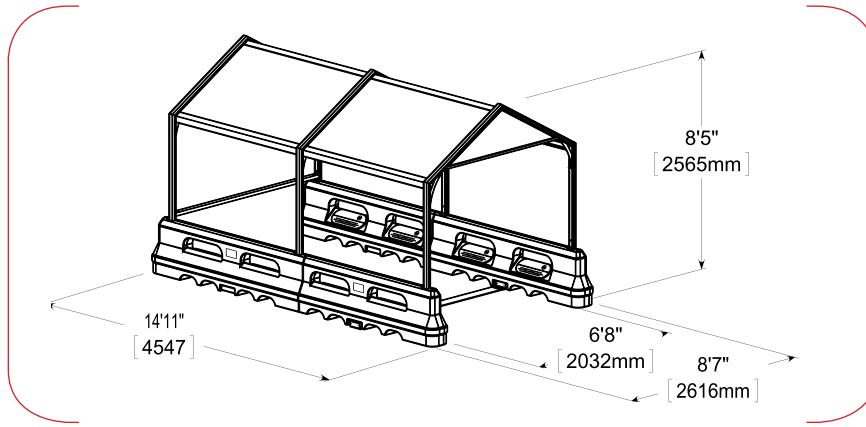
CartPark[®] Covered

Standard Covered Cart Return Station

CartPark Covered cart return stations make a positive first impression. Their colorful, brand-enhancing design helps welcome customers and increase cart return.

- High-impact polyethylene plastic barriers are easy on car doors, clothing and little hands, reducing damage and injury claims
- Patented surface-mounted barrier design eliminates the need to drill holes in your parking lot and allows for flexibility in placement
- Top front panels offer retailers a space to extend brand identity into the parking lot

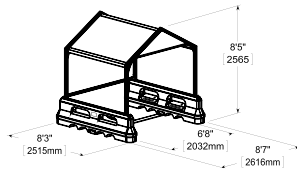




CartPark Covered, 2

SSC2B-COLOR

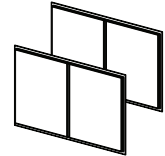
All roof and peaked front panels included
 Single-sided cart entry
 Cart Capacity: 15



Side Panel

SSCC-SIDEPANEL-COMPLETE

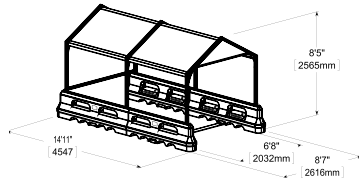
One weather panel per barrier
 Material: Clear PETG Sheets (79.3" L x 42" W)
 Complete with aluminum weather panel support and hardware



CartPark Covered, 4

SSC4B-COLOR

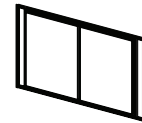
All roof and peaked front panels included
 Single-sided cart entry
 Cart Capacity: 36



End Panel

SSCC-ENDPANEL-COMPLETE

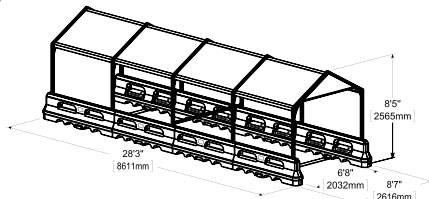
Material: Clear PETG Sheets and hardware (90.5" L x 43.5" W)
 End weather panel comes with an aluminum frame for use with CartPark Covered 2 and 4 units only



CartPark Covered, 8

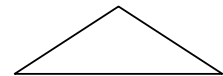
SSC8B-COLOR

All roof and peaked front panels included
 Double-sided cart entry
 Cart Capacity: 72



Custom Graphics

Call for pricing and details.



Replacement Parts

Please call for part numbers and pricing when ordering replacement parts for current model cart return stations.



Stock Colors

Available to ship within 3 weeks for 1-9 units. Allow 4 weeks for 10+ units.



Custom Color Matching

Minimums may apply. Allow 6-8 weeks for delivery.

CartPark® Architectural Open

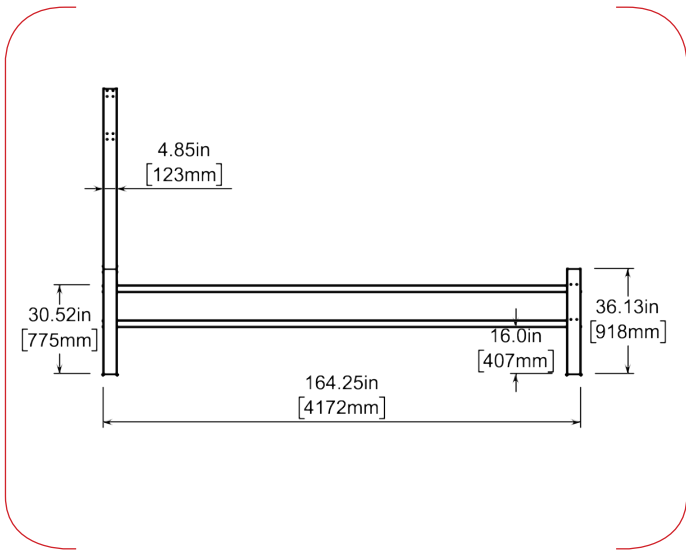
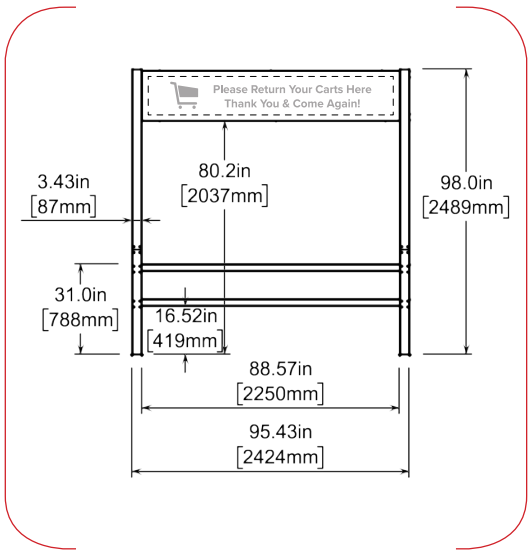
Premium Surface Mounted Open Cart Return Station

A cart corral designed for premium curb appeal and engineered for exceptional durability, the CartPark Architectural Open dramatically increases voluntary cart return. That means your parking lot is clean and inviting.

- Customizable sign options extends your brand into your parking lot
- Available with a wood grain finish to get the beauty of wood without the maintenance
- Surface mounted design eliminates the need to drill holes in your parking lot
- Stainless steel hardware and aluminum construction are rust and corrosion resistant
- Light up your lot at night with a back-lit LED Sign kit



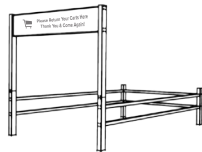
► Upgrade to a solar powered back-lit sign



CartPark Architectural Open

CPASO3

Dark Bronze Anodized Finish
 Custom colors available
 36 Cart Capacity

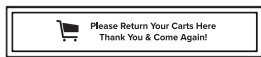


Unit with Standard Graphics

Additional Sign Add Ons

Back-Lit LED Sign with Solar Power Kit & Standard Graphics

CPAS-LITPNL



Custom Sign Graphics

CPASO-PREMIUMGRAPHICS



Standard Color
 Dark Bronze Anodized Finish



Wood Finish Upgrade
 Colony Maple powder coating with a natural aluminum finish. Call for lead time.

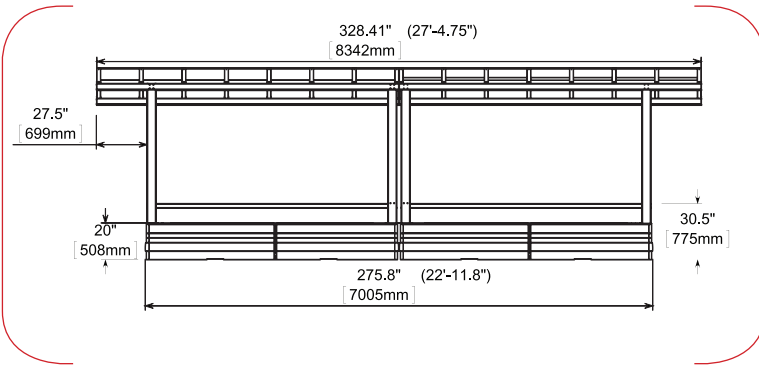
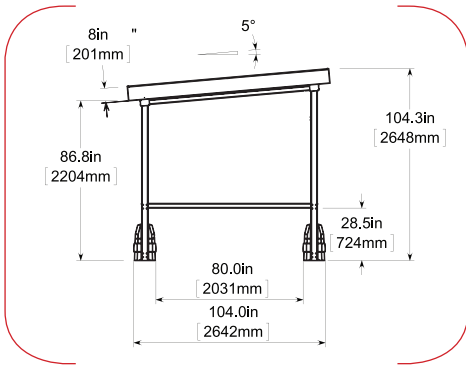
Sign templates available at McCue.com

CartPark® Architectural Shed & Peaked Roof Premium Surface Mounted Covered Cart Return Station

There's nothing like a great first impression to set the tone for a memorable shopping experience. The CartPark Architectural series is designed for premium curb appeal and engineered for durability. With the ability to customize, it extends your brand to the outside, because the customer experience begins and ends in your parking lot.

- Surface Mounted—No need to drill holes, protects against impact and allows for flexibility in placement
- Premium Design—Eye-catching design complements the visual appeal of your store
- High-impact polyethylene plastic barriers are easy on car doors, clothing and little hands, reducing damage and injury claims
- Optional Graphic Panels – Extend your brand to the parking lot





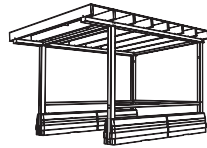
CartPark Architectural - Shed Roof

CPAS-4B-SR-L

CPAS-4B-SR-R

Dark-bronze finish

Black barriers. 36 Cart Capacity

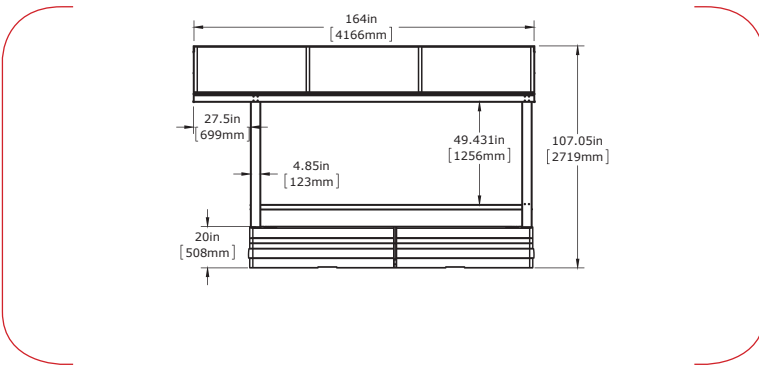
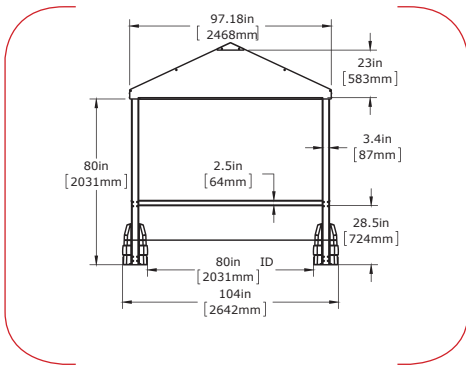
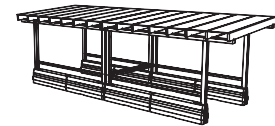


CartPark Architectural Back to Back- Shed Roof

CPAS-8B-SR

Dark-bronze finish

Black barriers. 72 Cart Capacity



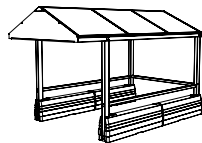
CartPark Architectural - Peaked Roof

CPAS-4B-UPT-419

Dark-bronze finish

Black barriers. 36 Cart Capacity

Roof material: Polycarbonate panel (6mm) tinted.



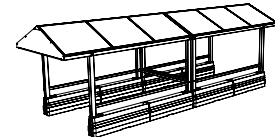
CartPark Architectural Back to Back - Peaked Roof

CPAS-8B-B2B-UPT-419

Dark-bronze finish

Black barriers. 72 Cart Capacity

Roof material: Polycarbonate panel (6mm) tinted.



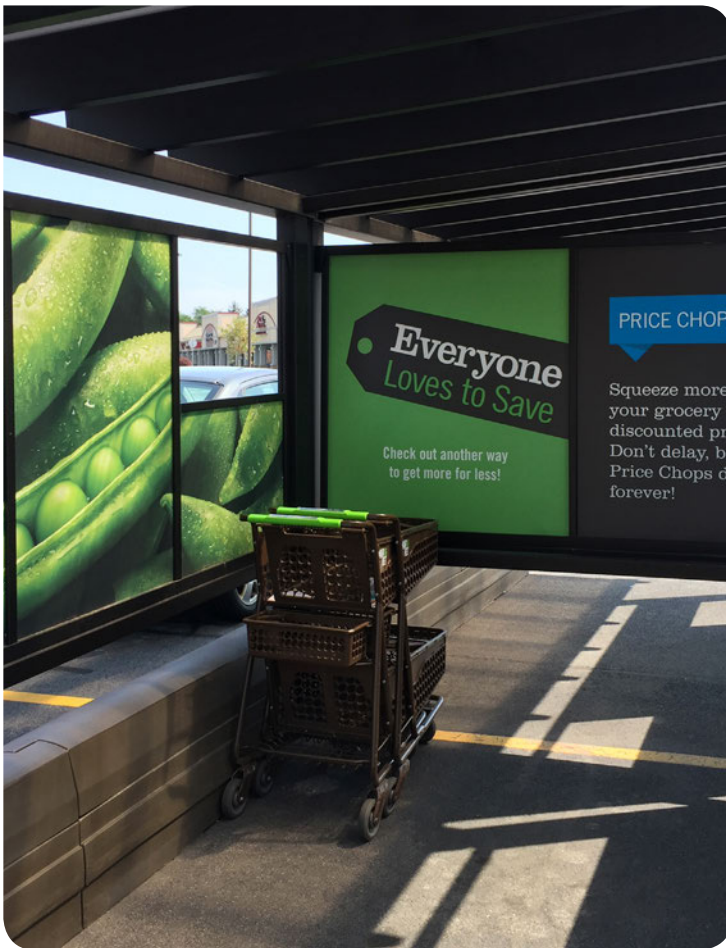
Standard Color

Dark bronze finish with black barriers.
Custom barrier colors available.

CartPark® Architectural Accessories

Add-Ons and Accessories for Cart Return Stations

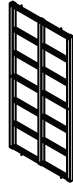
We offer a variety of CartPark Architectural accessories to satisfy every parking lot's needs—standard and custom signs, and personalized graphics.



Lattice (set of 4)

CPASA-LATTICE

Dark-bronze anodized aluminum
Packed: 4 per box

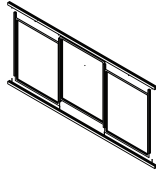


Weather Panels (set of 2)

UV-resistant PETG
Dark bronze frames

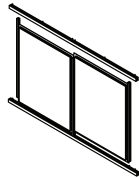
CPASC-SIDEPANEL-UPT

Set of two (2), left and right



CPASC-ENDPANEL-UPT

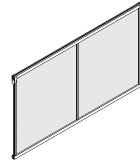
One clear plastic end panel



Graphic Panel Frame - End

CPAS-ENDFRAME

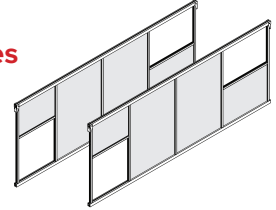
Does not include printed graphics
Call for pricing and lead times.



Graphic Panel Frame - Sides

CPAS-SIDEFRAME

Does not include printed graphics
Call for pricing and lead times.



Custom Graphics

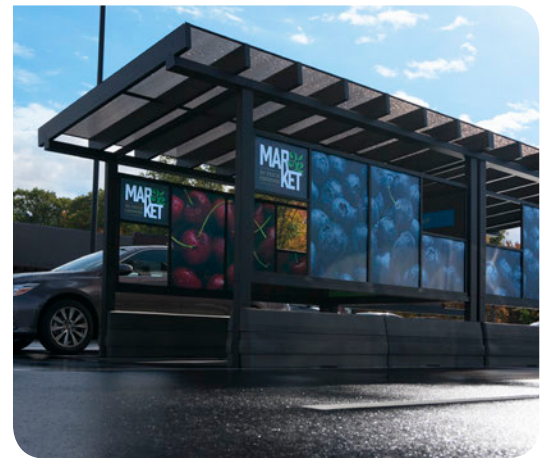
Call for pricing and details.



Personalized Cart Corral Design

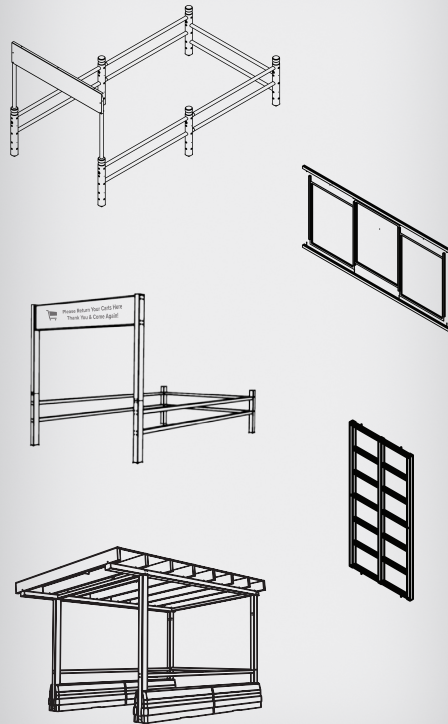
Bring Your Dream Cart Return Station to Life!

We design high quality cart corrals for every outdoor need — their colorful, brand-enhancing design helps increase cart returns, are built with the best material to withstand harsh weather and can come with custom signage to extend your brand into your parking lot. Make a positive first impression with a personalized cart corral.





DID YOU KNOW?



Many of our cart corrals started from custom customer inspiration — and we build from there!

Have a vision in mind for a future Cart Corral?

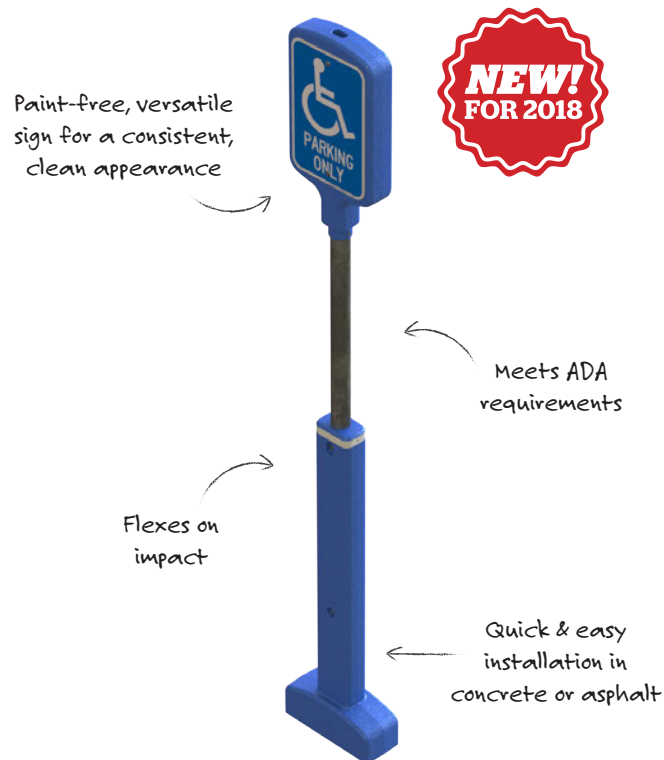
Let us work with you to make it a reality!
Contact us at 800.800.8503 to get started.

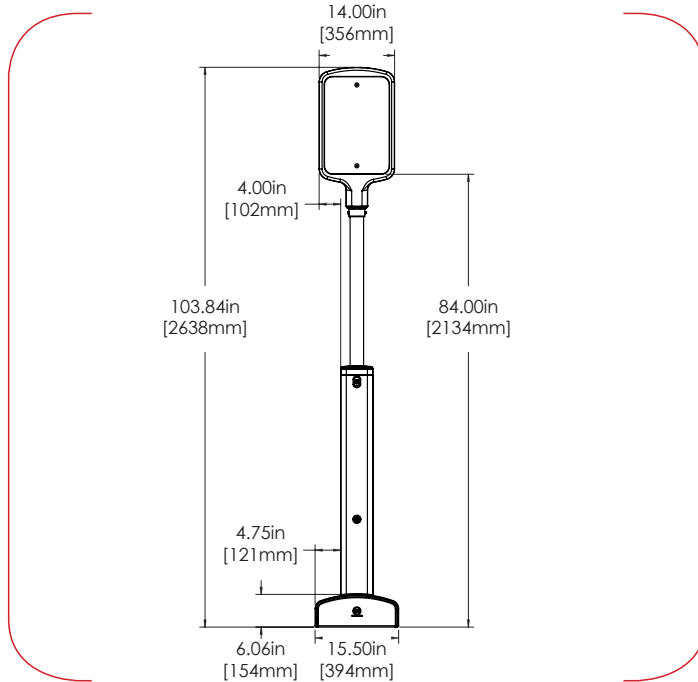
BumperSign

Flexible, Surface-Mounted Sign Post

No more bent, unattractive signs. Finally a sign engineered for strength and safety, designed for style, and fits ADA height requirements across the country. This versatile sign can mark anything from expectant mothers and visitor parking to curb side pick up. With its protective cover and hidden shock-absorbing core, the BumperSign will carry your brand from the store to the parking lot.

- Absorbs impact energy and deflects away from vehicles
- Easy installation with no core-drilling or concrete needed
- Maintenance-free with adjustable height for a consistent clean appearance





BumperSign Kit

BS-V2-COLOR

Hardware included.
Placard not included.



Standard Accessible Parking Placard

15AB034



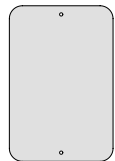
Van Accessible Parking Placard

15AB035



Custom Placard Options

Call for pricing and details.



Sign templates available at McCue.com

401
Black

790
ADA Blue

Standard Colors
3 week lead.

How To Order

For the most up to date information on everything McCue, check us out on our website and social media platforms.

Customer Care

Our customers are the heart of our organization—you deserve to be handled with care. Our Customer Care Team is ready to help with your order needs.

We are available Monday through Thursday from 8:30 am to 5:30 pm EST and Friday from 8:30 am to 5:00 pm EST. Call, fax, email or live chat with us, and a Customer Care Representative will be happy to help with your order.

Our Customer Care Team



800.800.8503
or **978.741.8500**



978.741.2542



customercare@mccue.com



Live Chat at mccue.com



We're social, follow us!



Bumper Custom Color Matching

101	Gray	533	Raspberry
102	Fashion Gray	562	Mango
105	Steel Gray	601	Beige
108	Oyster Gray	602	Brown
111	Silver	604	Light Caramel
123	Smoke Gray	609	Putty
127	Shy Gray	619	Shell
201	Green	661	Wheat
246	McCue Green	678	Mink
252	Lichen Green	701	Blue
310	Mellow Yellow	713	Deep Blue
401	Black	732	Sapphire
501	Red	739	Majestic Purple
503	Tomato Red	801	White
504	Port Red		

Office Hours

We are available Monday through Thursday from 8:30 am to 5:30 pm EST and Friday from 8:30 am to 5:00 pm EST. Call toll-free in the Continental USA (800) 800-8503 or (978) 741-8500, or e-mail us at customer care@mccue.com. A knowledgeable Customer Care Representative will be happy to help you. After hours, call the same number and leave a message. A Customer Care Representative will contact you promptly the following business day.

Terms

All orders are shipped FOB Origin. Freight charges are prepaid and added to the invoice, unless otherwise requested. Taxes, duties and fees for customs are the responsibility of the customer. Our payment terms are Net 30 days from the date of invoice. All specifications and prices are subject to change without notice.

Payment Options

For your convenience, we also accept Mastercard, Visa and American Express. All prices in US dollars.

- Credit Account – 30 days subject to suitable credit ratings and references
- Electronic Bank Transfer
- Credit Card Payment

Setting up an Account

We can usually arrange for credit quickly and easily. All you need to do is fill out our credit application which requests all of the usual business, bank and credit information. Go to www.mccue.com/new-account to get started.

Warranties and Guarantees

We stand behind every product we offer. It's as simple as that. If a product has a defect in materials or workmanship, we will, for a period of twelve (12) months, replace the product at no cost to you. All issues will be rectified within thirty (30) days from the time you alert us there is a problem. We cannot, however, be responsible for any misuse or misapplication of our products.

Colors represented may vary due to printing. Please call to receive actual color matched chips.

Return Policy

We want you to love your McCue product. If you are not fully satisfied with your purchase, you can apply for a refund within 14 days of receipt of goods. **Returns will only be accepted with prior authorization from a McCue Customer Care representative.**

Returned products must be suitably packaged and in a condition fit for re-sale. Returns will be subject to a 15% handling and administration charge and shipping is the responsibility of the customer. We, unfortunately, cannot accept return of custom color or cut products. If you have questions regarding our policy or feel that you have a unique situation, please contact a McCue Customer Care Representative to discuss. We're committed to working with you.

QuickShip

Get what you need faster!
It's easy, just look for the QuickShip icon to confirm faster lead times.



©2018 McCue Corporation. Printed in the USA.

All information, specifications and illustrations contained in this catalog are based on the latest product information available at time of publication. Details are subject to change at any time without prior notice. This document must not be copied, reprinted or reproduced in any form, either wholly or in part, without the written consent of McCue Corporation.

mccue.com | 800.800.8503

McCue Corporation

Peabody, MA 01960, USA

+1 (800) 800 8503

customercare@mccue.com

McCue UK, Europe & Middle East

Milton Keynes, United Kingdom

+44 (0)1908 365 511

uksales@mccue.com

McCue Asia

迈客(厦门)有限公司

Xiamen, Fujian, China

+86-592-2200790

mccue.com

