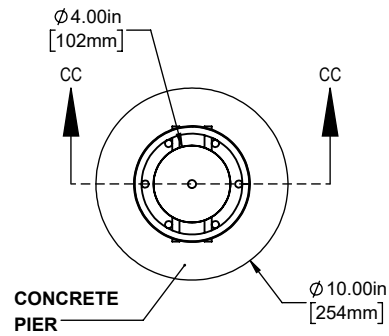
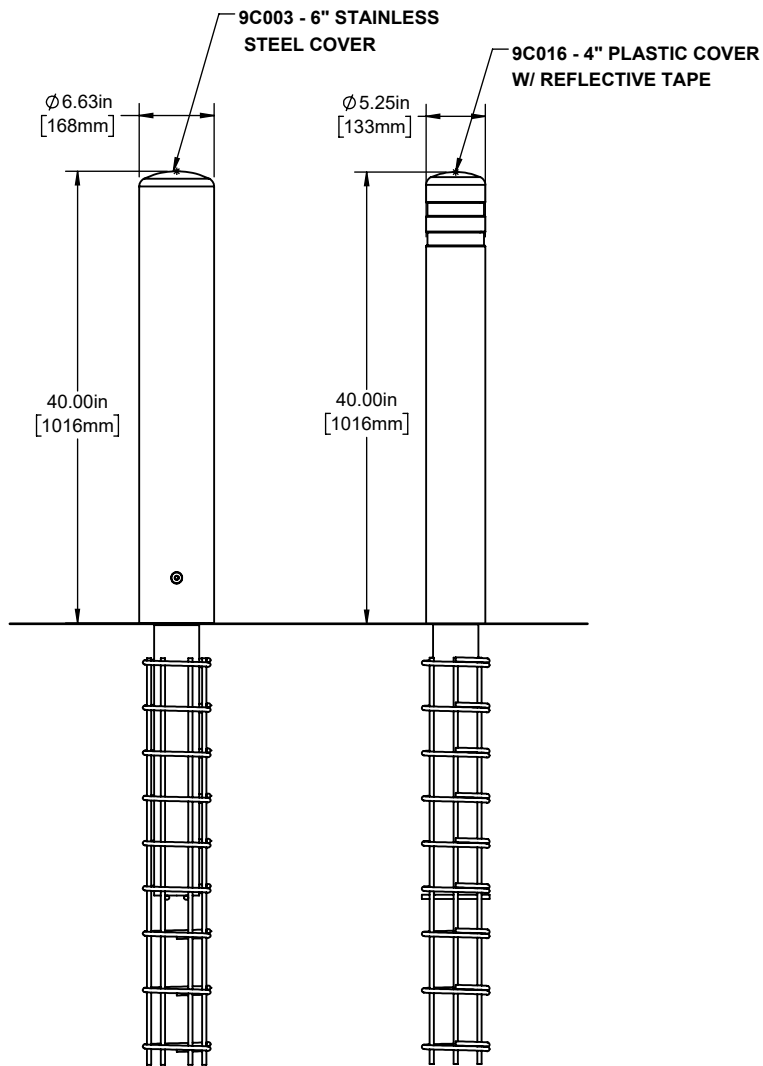
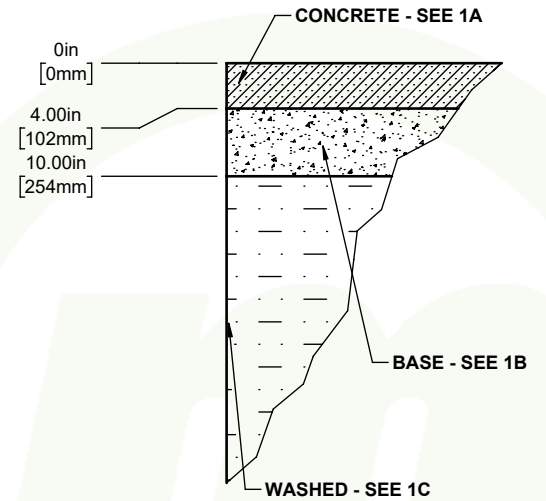
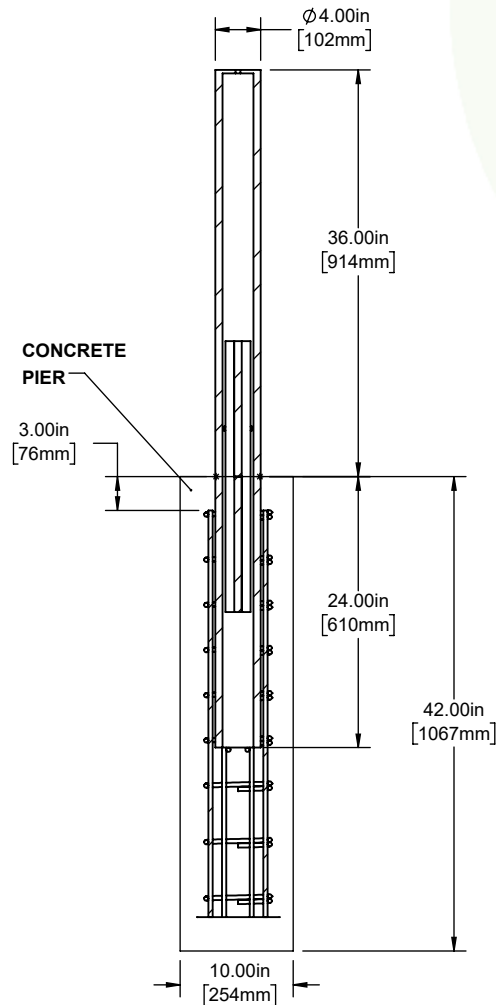


**COVER OPTIONS**



**SECTION CC-CC**



**GROUND CONDITIONS**

**1A:** The concrete is 3000 psi minimum unconfined compressive strength, with one layer of #3 ( $\phi 3/8$ ) rebar spaced at 12" each way, with 1-1/4" cover at bottom. Rebar not shown here.

**1B:** The base is Type A Grade 1 crushed limestone road base, compacted to 90% of standard proctor density.

**1C:** The washed sand shall be classified as SP - poorly graded sand & be compacted to a density of not less than 90% maximum dry density in accordance with AASHTO Method of Test T099.

**Customer Drawing**  
**CRASHCORE S20**



**McCue US**  
 (978) 741 8500  
 CustomerCare@mccue.com

**McCue UK**  
 +44 1908-365-511  
 UKCServices@mccue.com

**McCue China**  
 +86-592-2200 790  
 ChinaOffice@mccue.com

[mccue.com](http://mccue.com)