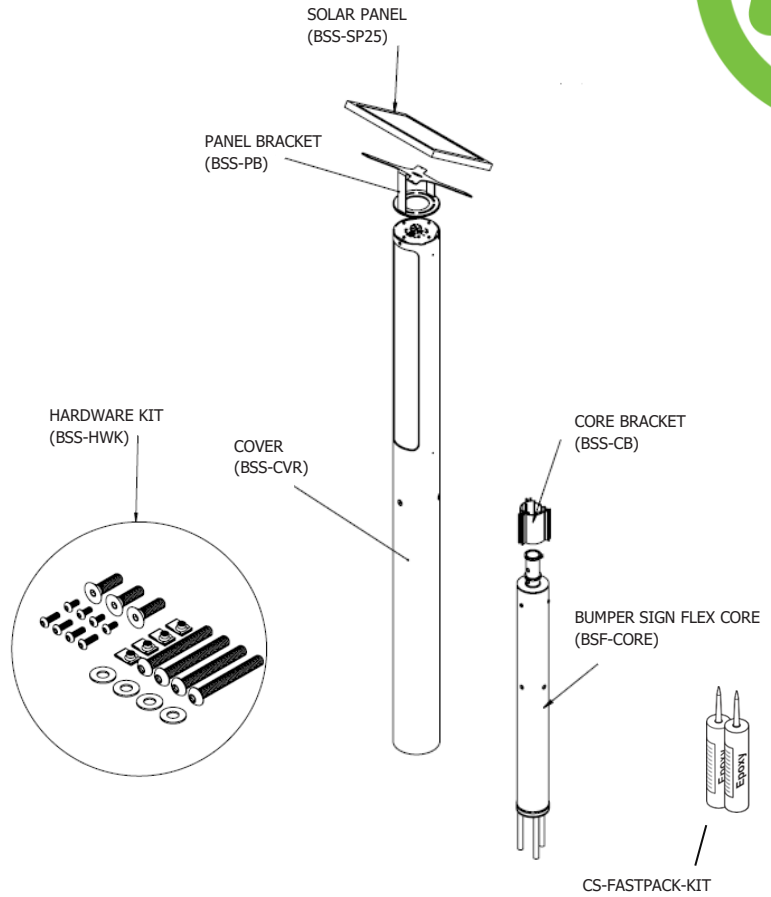


BumperSign Solar

INSTALLATION INSTRUCTIONS



Tools Required



Chalk



Wire Brush



Mallet



Vacuum



Tape Measure



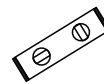
Drill with Phillips bit



Rotary Hammer Drill with 1" Carbide Bit



Epoxy Gun



Level



Allen Keys Set



6'-Step Ladder



McCue Corporation
Peabody, Massachusetts, USA
+1 (800) 800 8503
customer-care@mccue.com

McCue UK & Europe
Milton Keynes, United Kingdom
+44 (0)1908 365 511
uksales@mccue.com

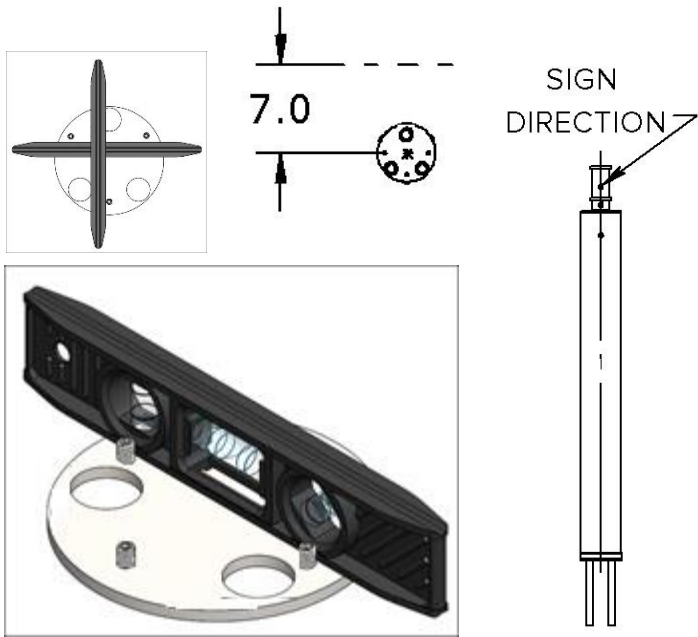
McCue Asia
迈客(厦门)有限公司
Xiamen, Fujian, China
+86-592-2200790

mccue.com



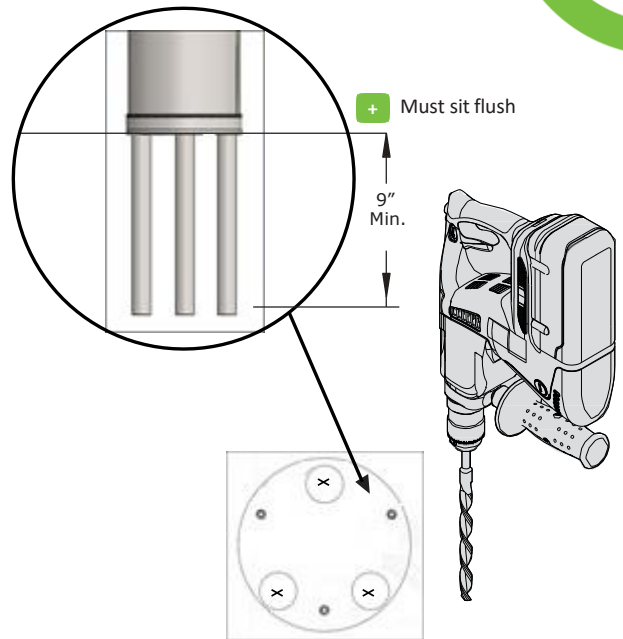


1



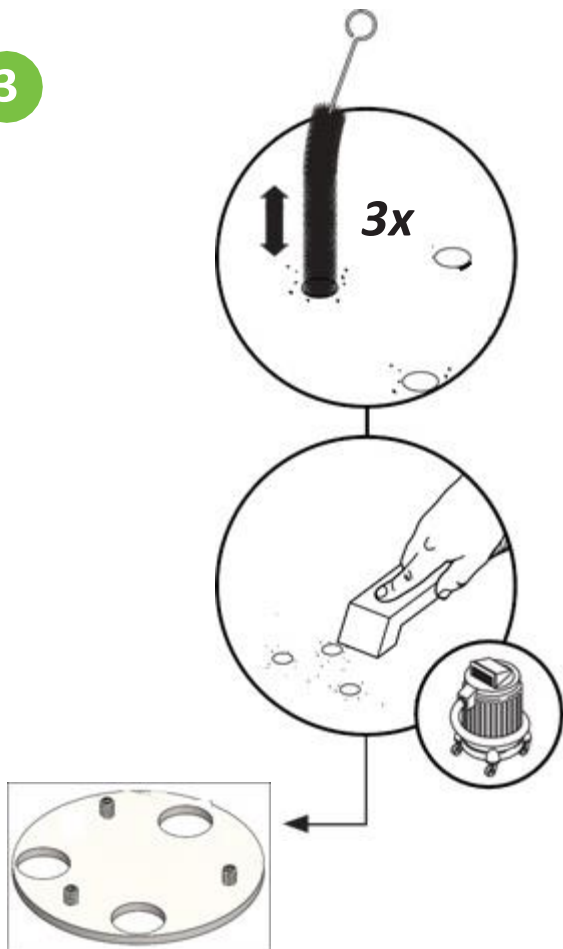
+ Position 7" away from any concrete or asphalt edges. Two holes should be horizontal and parallel to the direction of the sign. Level plate on both directions by adjusting set screws with an 1/8" Allen key. Make sure the plate is firm and does not rock.

2



+ Using the leveling plate as a template, Rotary Hammer Drill with 1" Carbide Bit, drill (3) 9" deep holes. Do a dry fit on the system prior to step 3.

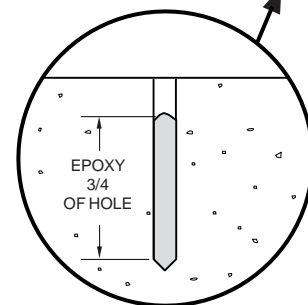
3



4



Attention:
This is a time sensitive step

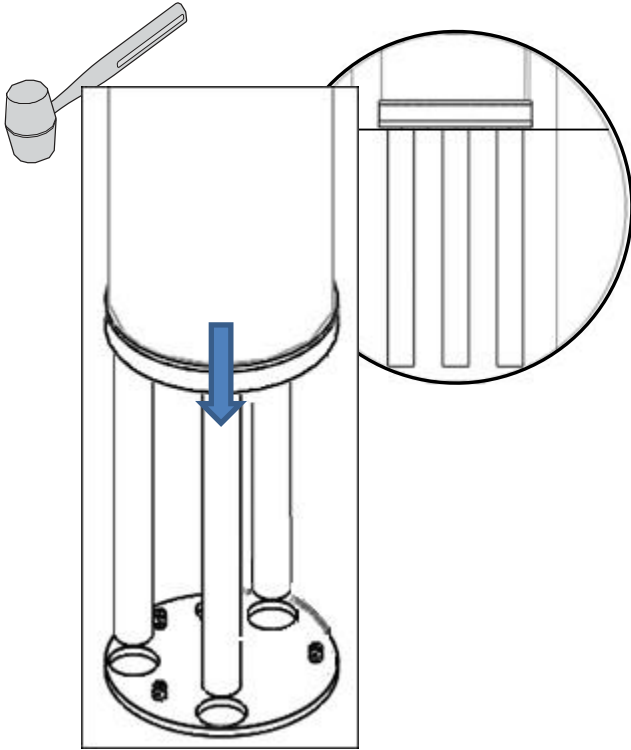


+ Average one cartridge of epoxy per two holes. Use both cartridges and is okay to have overfill.



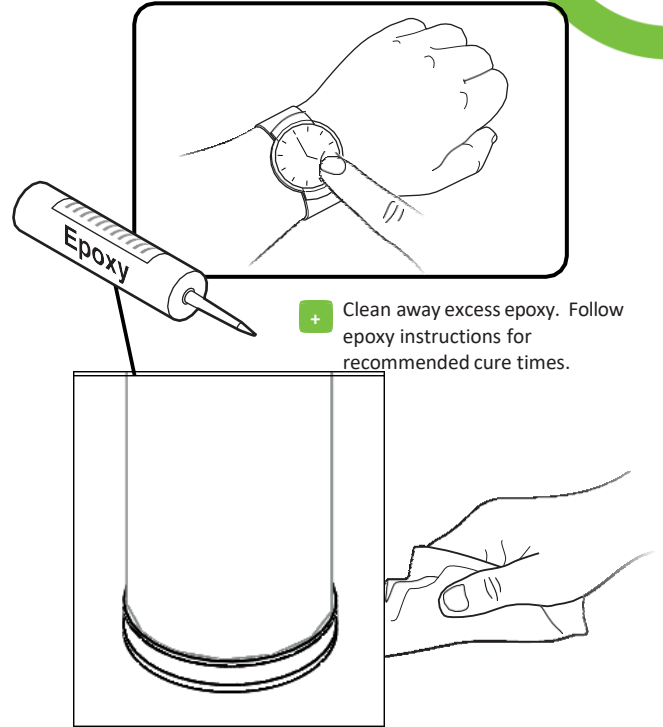
5

+ Slide into epoxy and must sit flush to ground plate, use mallet if necessary. Once flush, allow epoxy to harden and avoid moving.



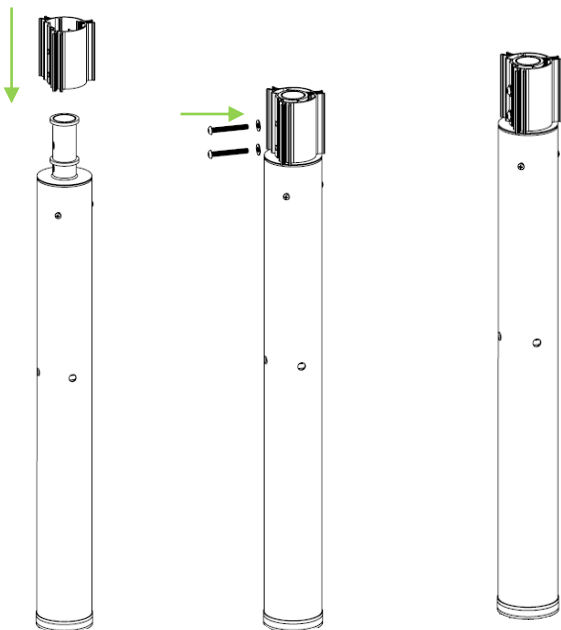
6

+ Clean away excess epoxy. Follow epoxy instructions for recommended cure times.



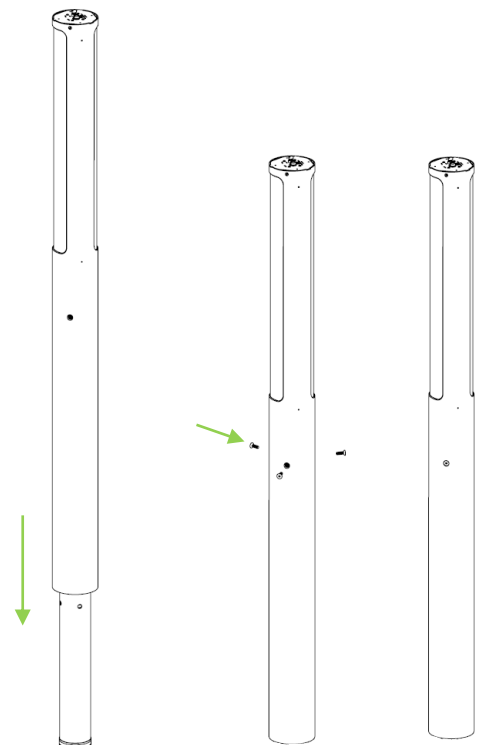
7

+ Slide the Core Bracket over the BumperSign Flex Core and secure using 3/8"-16 x 3" bolts and washers.



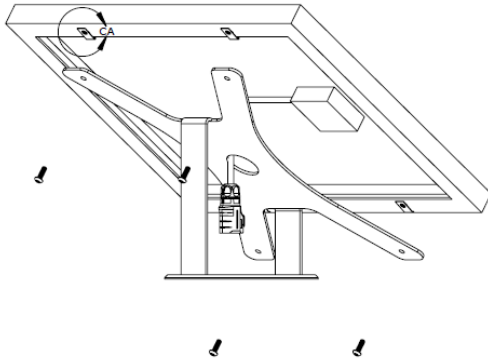
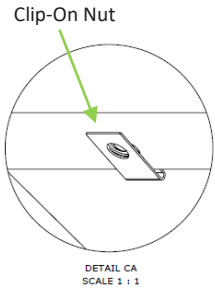
8

+ Slide the Cover over the Core and secure using 3/8"-16 countersunk bolts

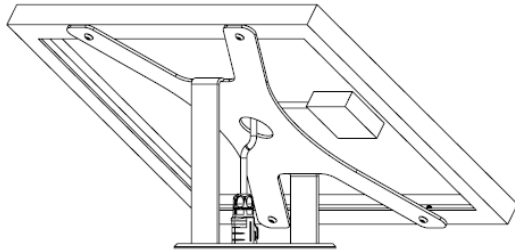


5

+ Slide the 4 Clip-On Nuts into place over the mounting holes on the Solar Panel.



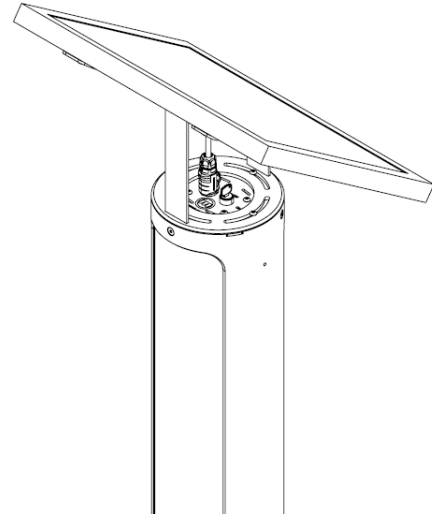
+ Drop the Solar Panel Cable through the Center hole of the Panel Bracket and secure the panel to the bracket using 4 M5 screws.



6

+ Position the Solar Panel Assembly on the top over the cover so that the solar panel is facing South and secure using 4 10-32 screws.

Note : If the product is being installed in the Southern Hemisphere, Install with the solar panel facing North.



7

+ Plug the Solar Panel into the Socket on the top of the cover.

+ Turn the switch to the "ON" position to power on the system.

