

Nothing slows down productivity like hitting a one-ton steel column.

The modular, shock-absorbing assembly installs securely and cushions columns, equipment and drivers from impacts. Protect the structural integrity of your facility and the financial integrity of your business.

Easy Installation With 2 adjustable straps, no special skills or equipment required.

Adjustable Fit Modular design fits a variety of column sizes.

Low Maintenance Hi-visibility plastic requires no welding or painting.



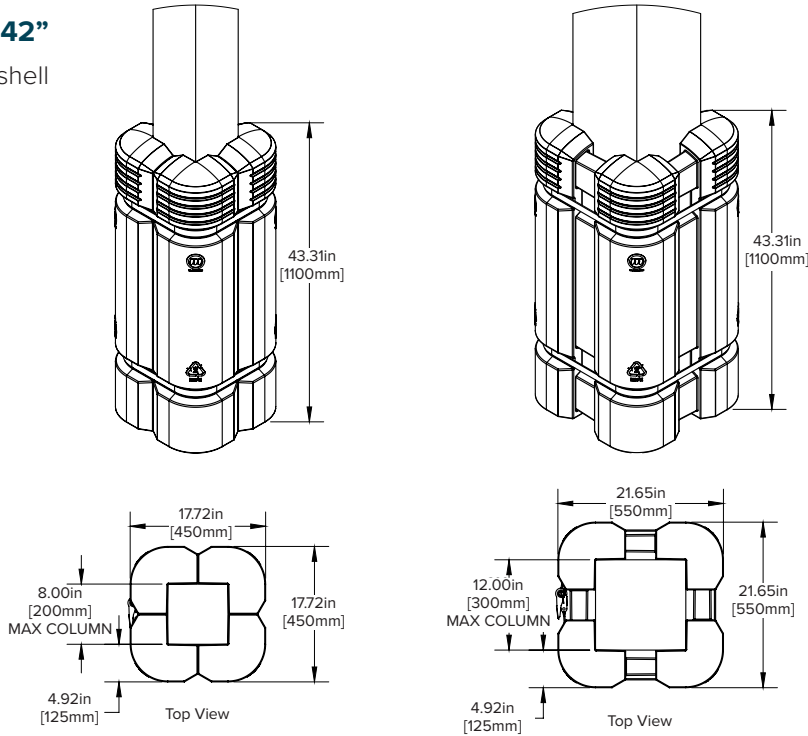
ColumnGuard



ColumnGuard 42"

Materials: HDPE shell

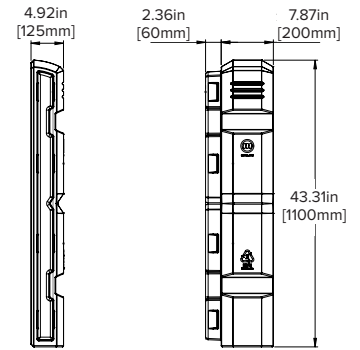
Part Number:
CG-K-812-307



ColumnGuard 42" Extender

Quantity: 2
Materials: HDPE shell

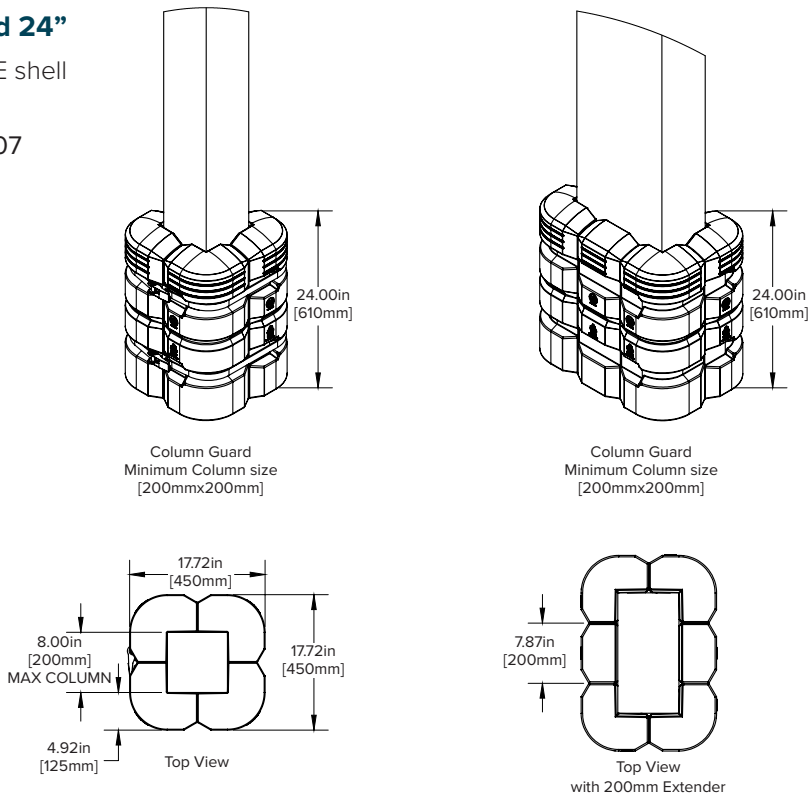
Part Number: CG-K-008-307



ColumnGuard 24"

Materials: HDPE shell

Part Number:
CG-K-SM812-307



ColumnGuard 24" Extender

Quantity: 2
Materials: HDPE shell

Part Number: CG-K-SM008-307

