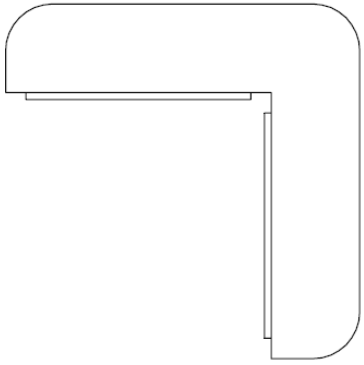


Edge Trim Padding

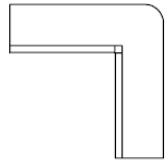
INSTALLATION INSTRUCTIONS



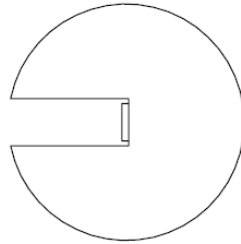
Components



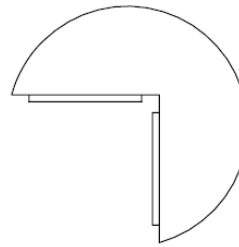
ETP-L-4545-1000



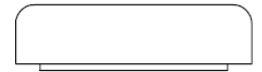
ETP-L-2626-90-1422



ETP-R-2008-1000



ETP-LR-4040-1000

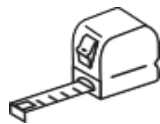


ETP-F-4010-1000

Required Tools



Razor Knife



Tape Measure



Isopropyl Alcohol



Solvent Wipe

Important Note: For your safety, always wearing protective eye wear and disposable gloves when cleaning is recommended.



McCue Corporation
Danvers, Massachusetts, USA
+1 (800) 800 8503
customercare@mccue.com

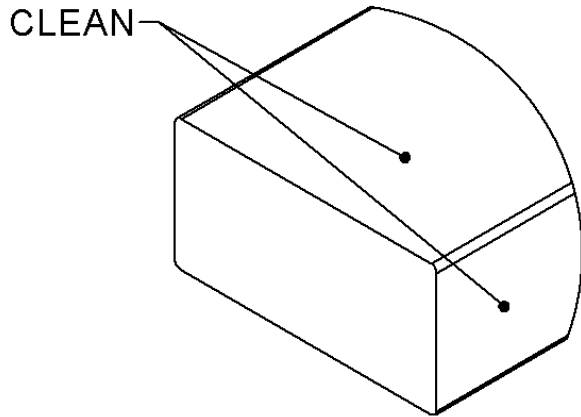
McCue UK & Europe
Milton Keynes, United Kingdom
+44 (0)1908 365 511
uksales@mccue.com

McCue Asia
迈客(厦门)有限公司
Xiamen, Fujian, China
+86-592-2200790

mccue.com

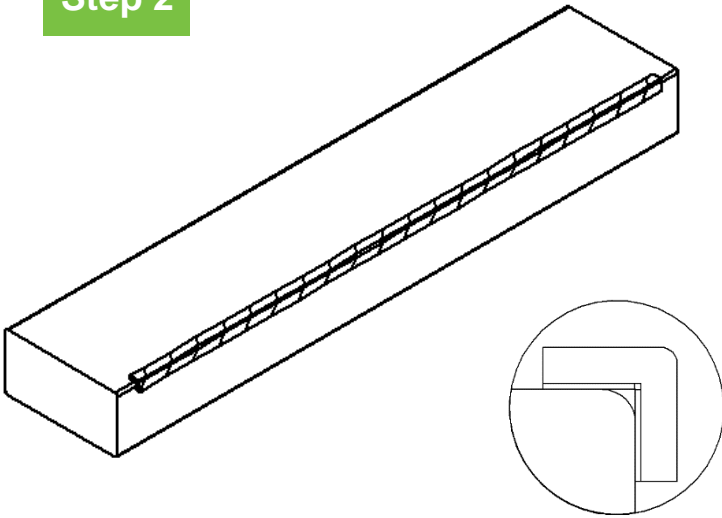


Step 1



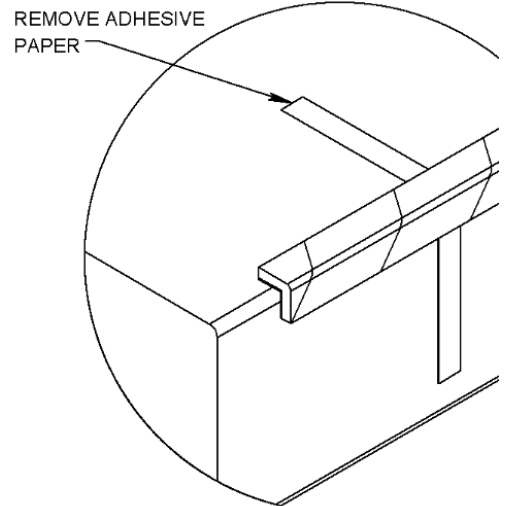
1. Clean surface with Isopropyl Alcohol (IPA) and let area completely dry.

Step 2



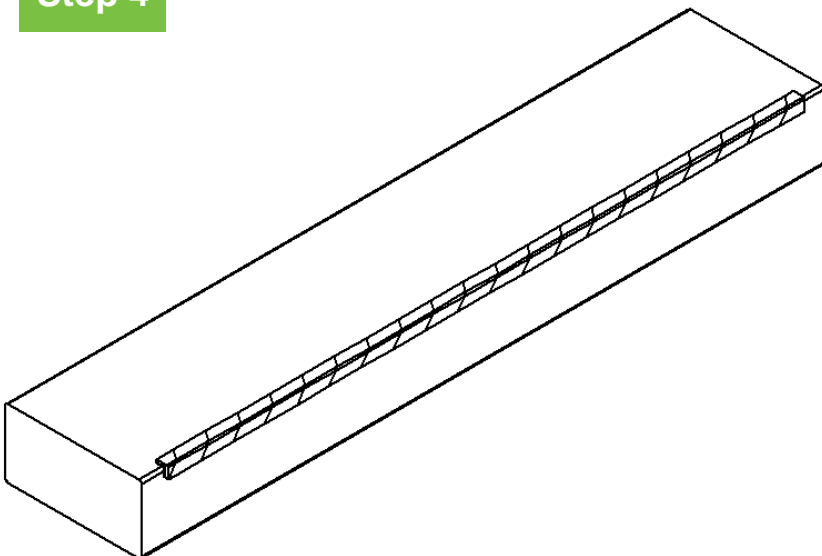
Position EdgeTrim Padding.

Step 3



Remove adhesive paper.

Step 4



Apply pressure to both sides of the EdgeTrim Padding to ensure contact and remove air bubbles.