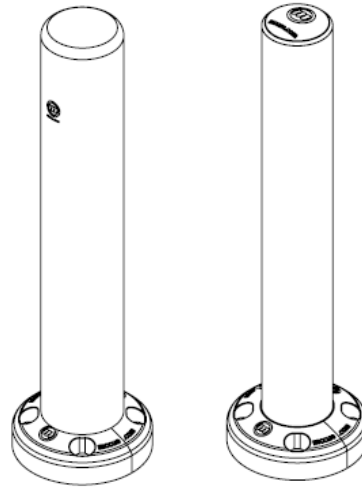
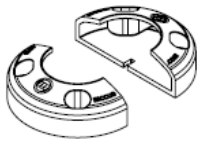


SafeStop Bollard 15

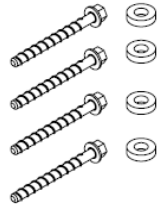
INSTALLATION INSTRUCTIONS



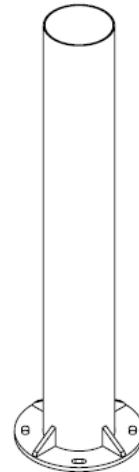
Components (components vary by install)



Shock Absorbers



Washers & Anchors

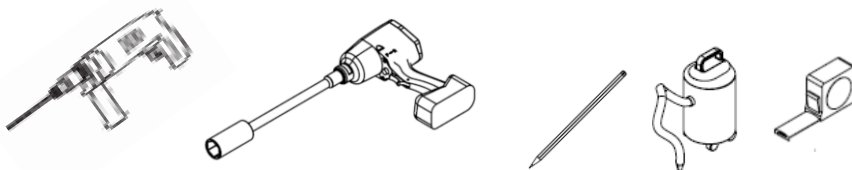


Bollard Post



Cap or Post Cover

Tools Required



- Hammer Drill with ½" [12mm] Concrete/Masonry Drill Bit
- Impact Driver with ¾" [19mm] Socket
- Pencil/Marker
- Vacuum
- Tape Measure
- PPE



McCue Corporation
Danvers, Massachusetts, USA
+1 (800) 800 8503
customer@mc cue.com

McCue UK & Europe
Milton Keynes, United Kingdom
+44 (0)1908 365 511
uksales@mc cue.com

McCue Asia
迈客(厦 门)有限公司
Xiamen, Fujian, China
+86-592-2200790

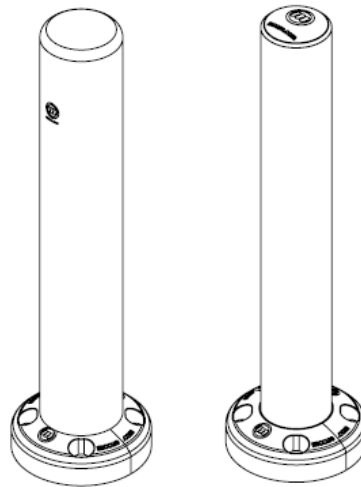
mc cue.com





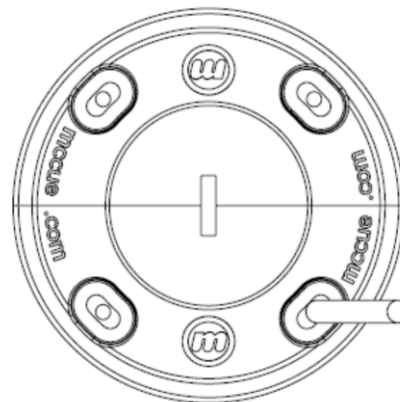
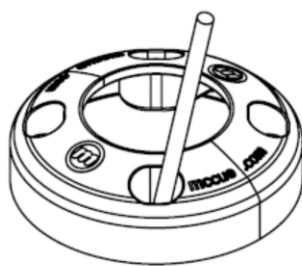
- PPE recommended: High visibility vest, Steel Toe Boots, Work Gloves, Ear Protection, Dust Mask, Eye Protection.
- Clean concrete dust by running the vacuum during drilling.

These instructions are for multiple versions of the SafeStop bollard. For simplicity only one version will be shown in each step.

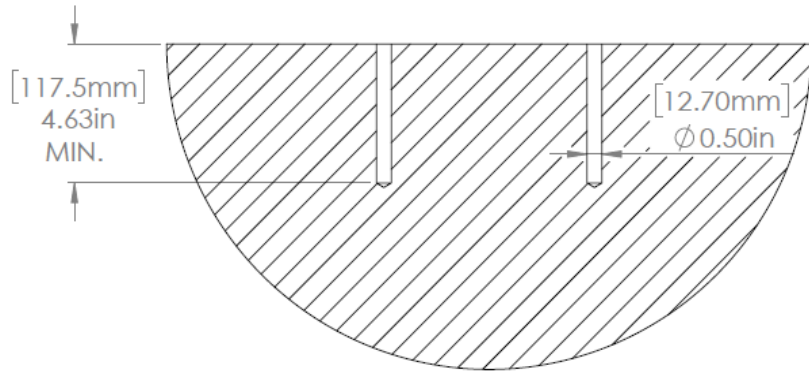
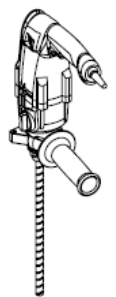


1

Select bollard location. Use Shock Absorber pieces to mark holes.

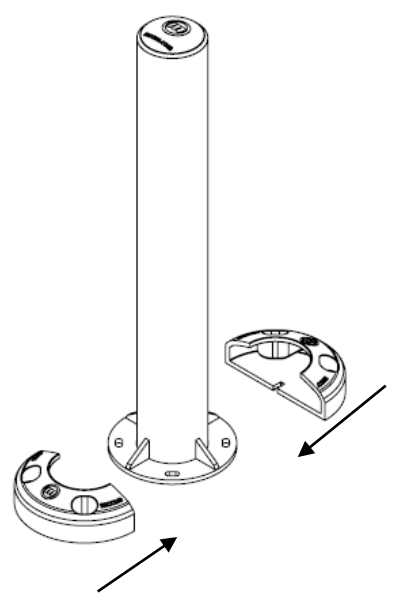


2 Drill 4 holes using ½" drill bit, 4-5/8" minimum depth.



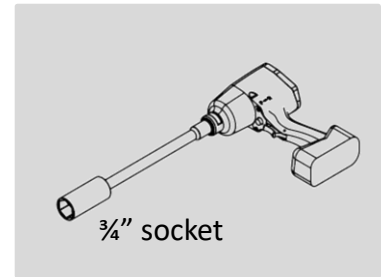
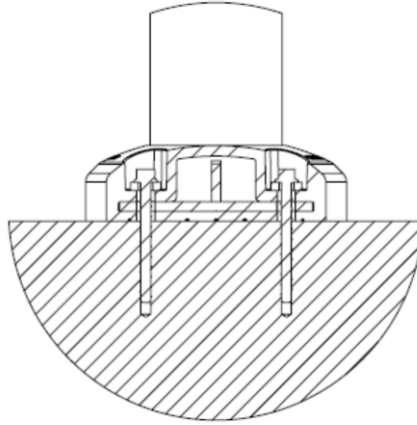
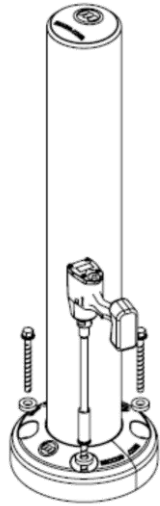
HOLE DETAIL

3 Install shock absorbers over baseplate.



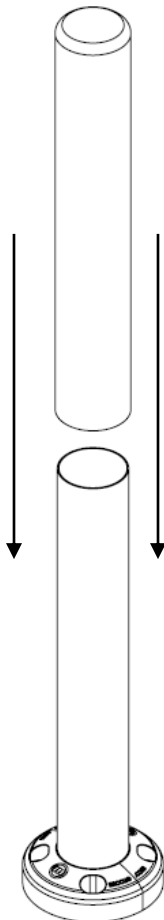
4

Move bollard post into place. Fasten to floor using ½" concrete anchors through washers.



5

Install post cover (if applicable).



6

Installation complete.

