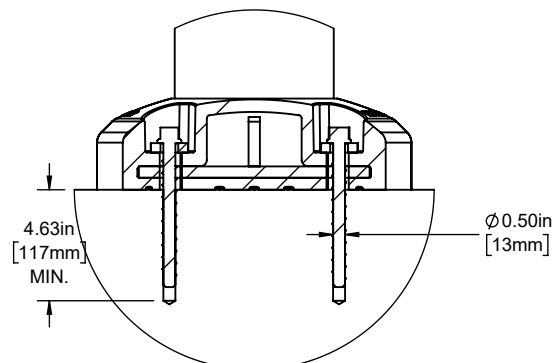
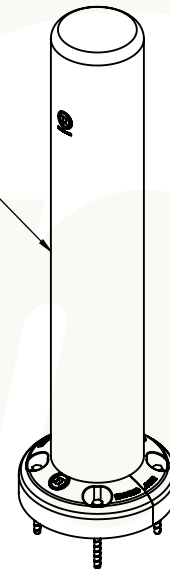


HOLE PATTERN



HOLE DETAIL

B15-K-C48
SafeStop Bollard
with Post Cover



**Customer Drawing
SafeStop Bollard 15
with Post Cover**



McCue US
(978) 741-8500
CustomerCare@mccue.com

McCue UK
+44 1908-365-511
UKCServices@mccue.com

McCue China
+86-592-2200 790
ChinaOffice@mccue.com

mccue.com