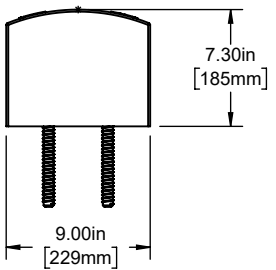
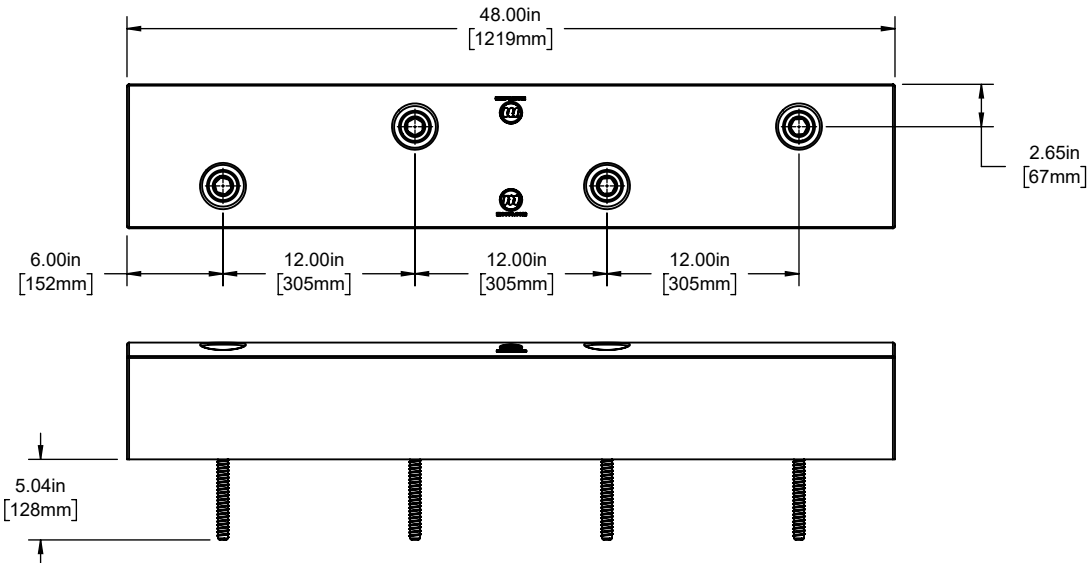
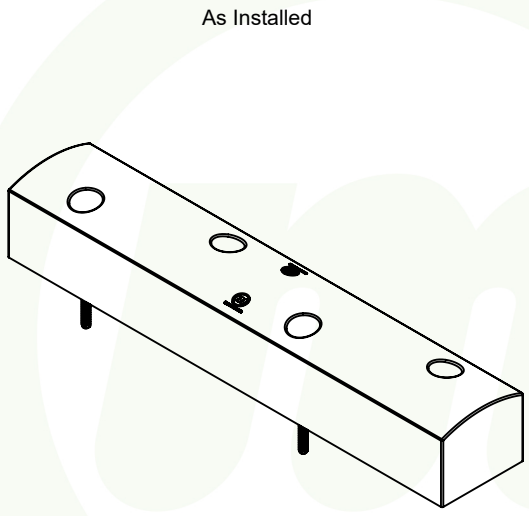
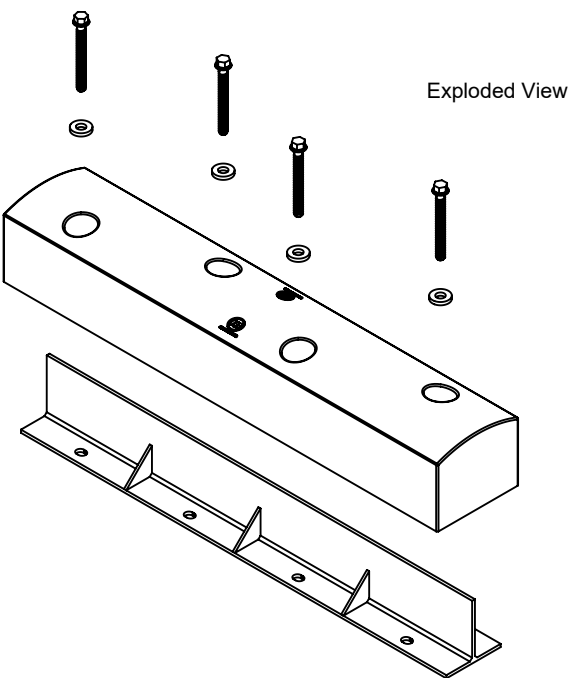


**Barrier Material:** Synthetic Rubber Blend with UL-94-V1 Flame Rating  
**Anchor Plate Material:** ASTM A36 Structural Steel  
**Concrete Anchors:** 5/8" x 6 1/2" Hilti KH-EZ Screw Anchors



**PROPRIETARY-CONFIDENTIAL:** This document contains information proprietary to McCue Corporation. This information is not to be used in any way, disclosed to others or reproduced, in whole or in part, except as expressly authorized in writing by McCue Corporation. Any reproduction of this document, in whole or in part, must include this notice.

**Customer Drawing**  
**SafeStop ForkShield**  
**SSFS-K-048-307**



**McCue**

**McCue US**  
 (978) 741-8500  
 CustomerCare@mccue.com

**McCue UK**  
 +44 1908-365-511  
 UKCServices@mccue.com

**McCue China**  
 +86-592-2200 790  
 ChinaOffice@mccue.com

[mccue.com](http://mccue.com)