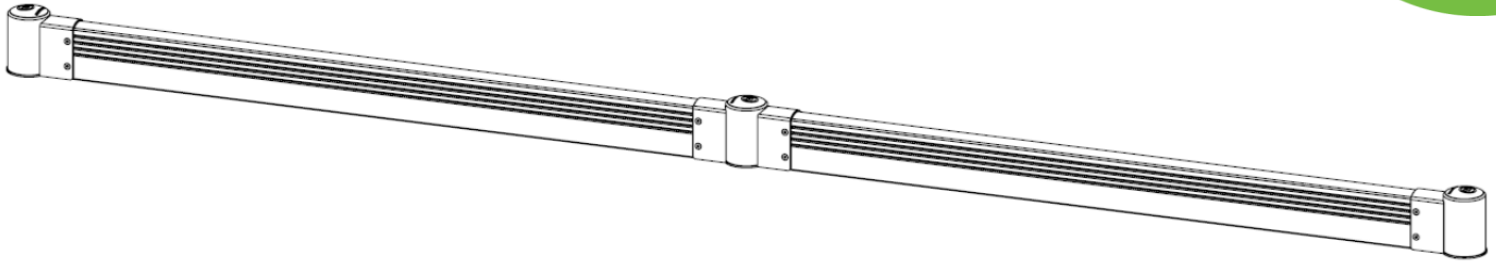
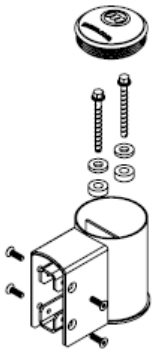


SafeStop GroundBarrier

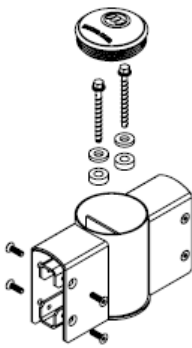
INSTALLATION INSTRUCTIONS



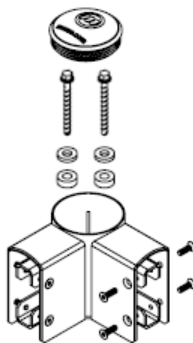
Components (varies by installation)



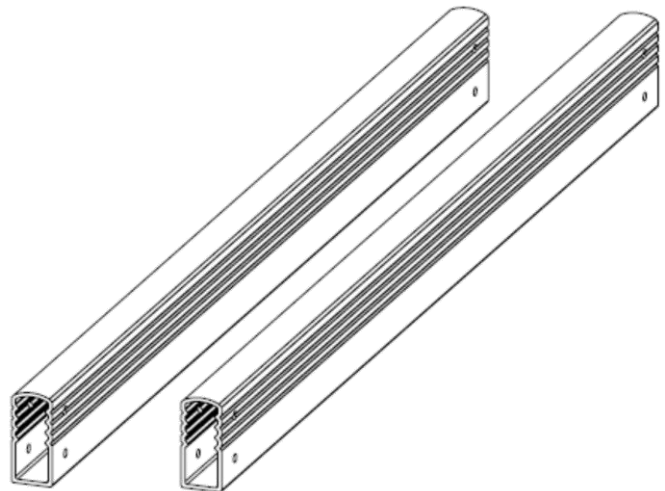
End Post Kit



Mid Post Kit

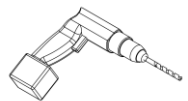
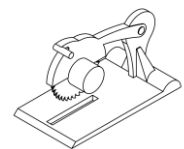
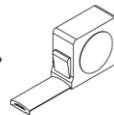
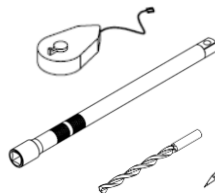
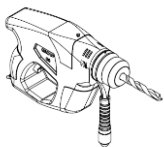


Corner Post Kit



GroundBarrier Rails

Tools Required



- Hammer Drill
- ½" Masonry Bit [12mm]
- Impact Driver

- 8mm Hex Bit [5/16"]
- 15/16" Socket [24mm]
- Socket Extension

- Marker/Pencil
- Chalk Line

- Tape Measure
- Vacuum Cleaner

For Custom Lengths:

- Saw
- Drill with 12mm [1/2"] Bit



McCue Corporation
Danvers, Massachusetts, USA
+1 (800) 800 8503
customer@McCue.com

McCue UK & Europe
Milton Keynes, United Kingdom
+44 (0)1908 365 511
uksales@McCue.com

McCue Asia
迈客(厦门)有限公司
Xiamen, Fujian,
China
+86-592-2200790

McCue.com

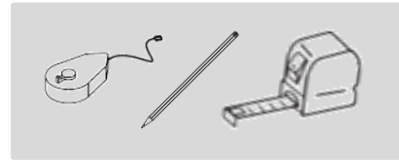




- PPE recommended: High visibility vest, Steel Toe Boots, Work Gloves, Ear Protection, Dust Mask, Eye Protection.
- Clean concrete dust by running the vacuum during drilling.

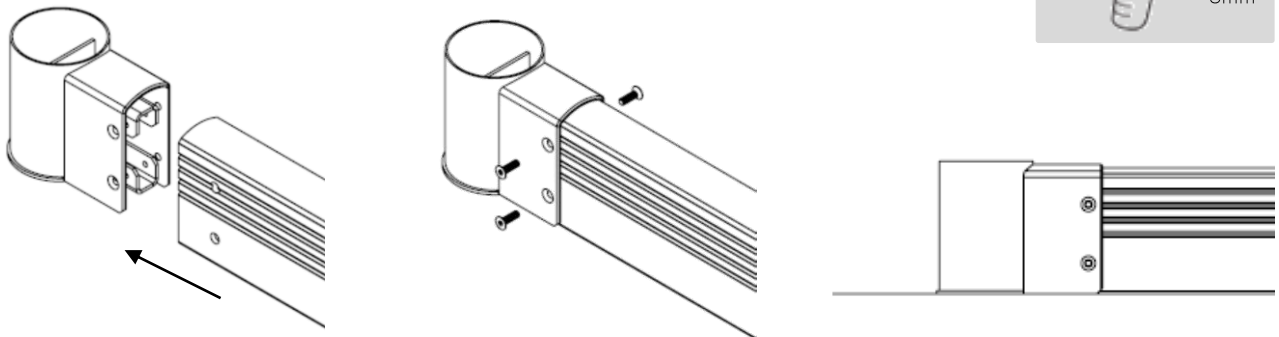
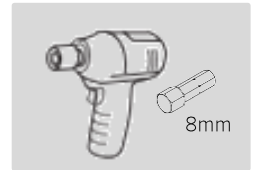
1

Snap chalk line where Barrier will be installed.



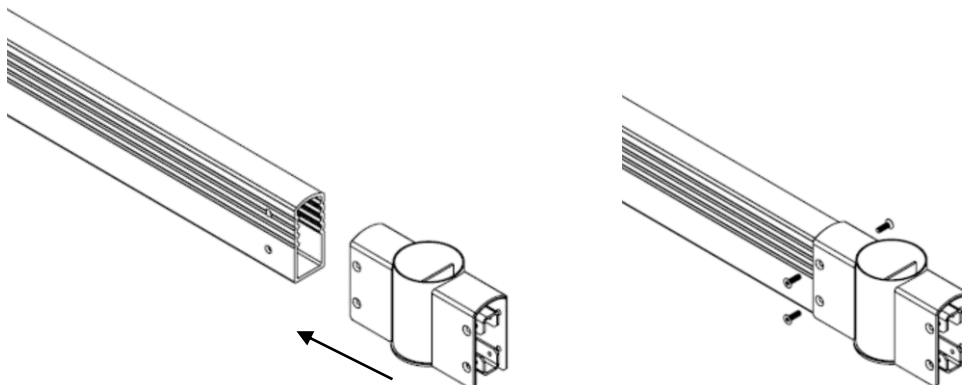
2

Insert GroundBarrier rail so holes of rail and end post are aligned. Fasten 4x M12 screws through the end post to secure rail. Place centered on chalk line.

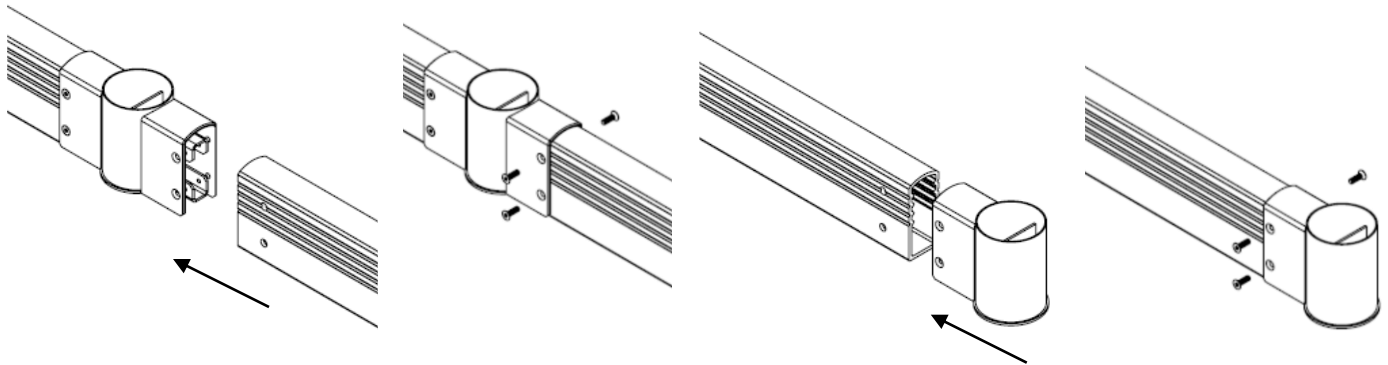
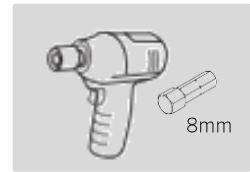


3

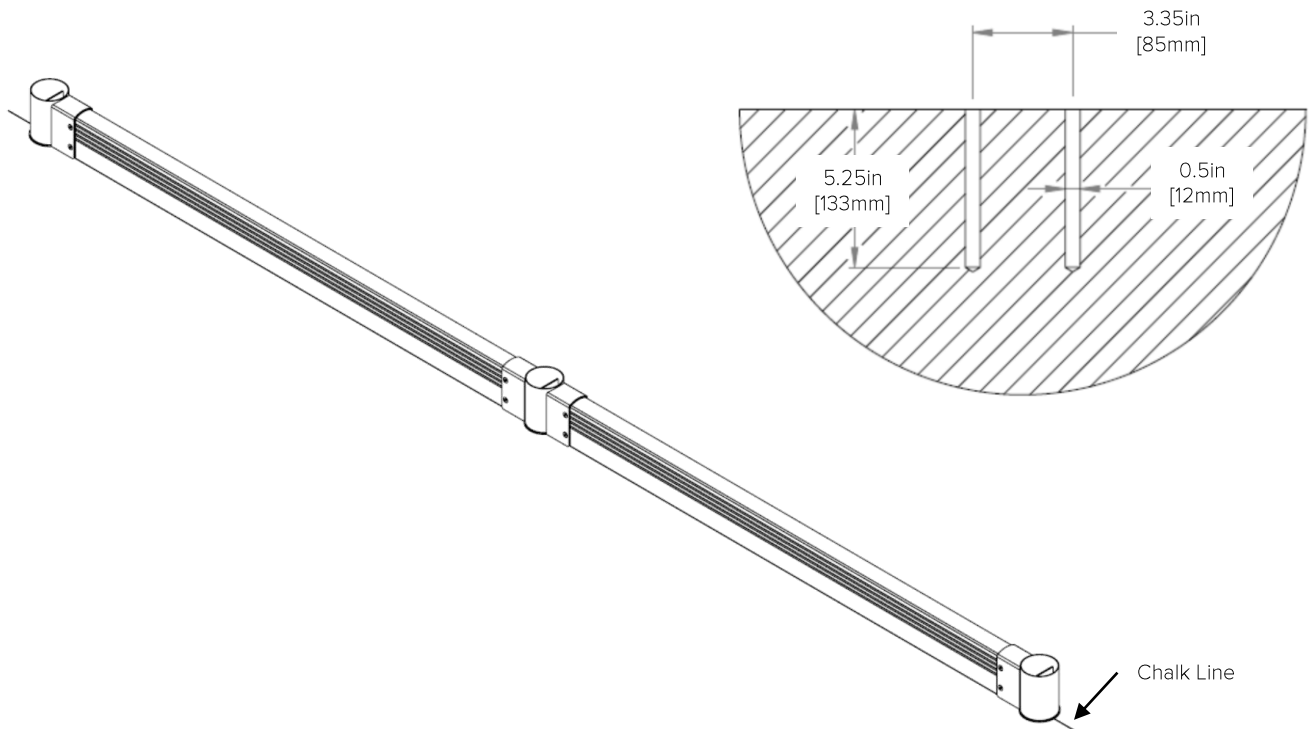
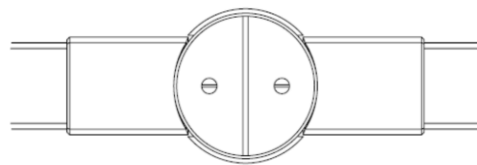
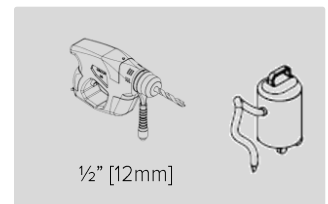
Insert open side of the GroundBarrier rail into the next post so holes of rail & post are aligned. Fasten 4x M12 screws through the post holes to secure rail. Center on chalk line.



4 Repeat with the remaining rails and posts.

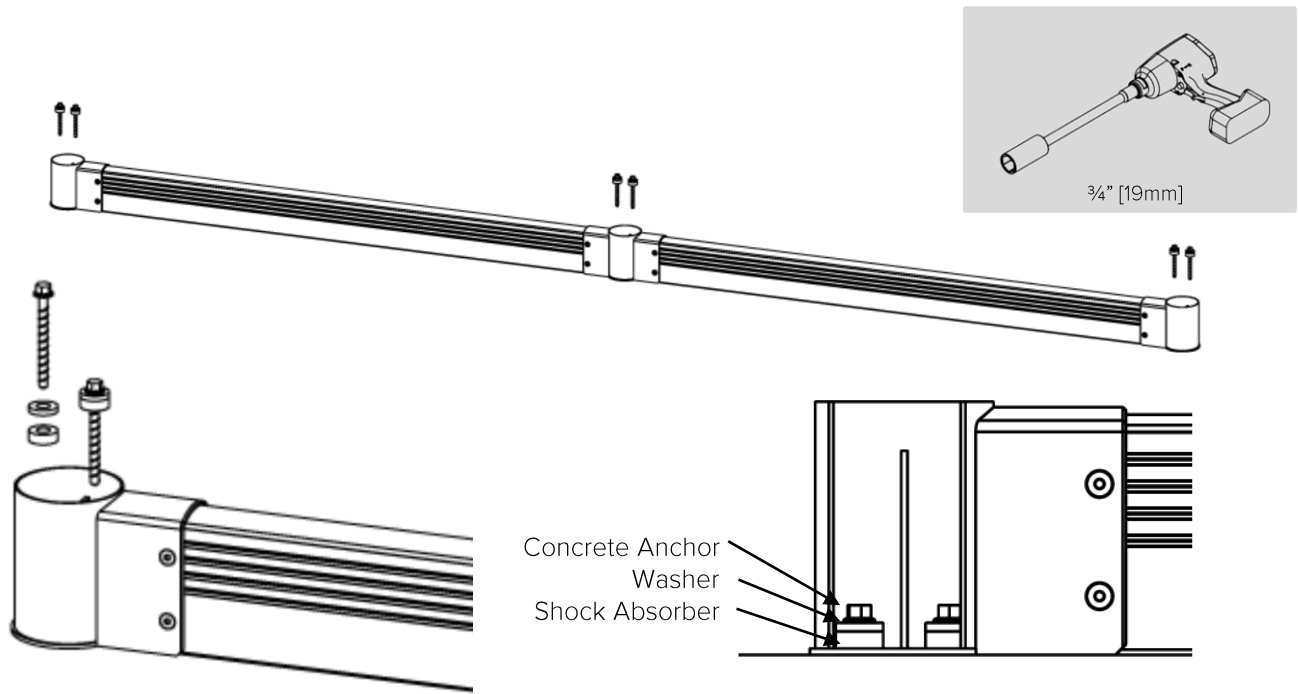


5 Ensure posts are centered over chalk line. Drill through posts using 1/2" drill bit, 5.25" minimum depth & vacuum concrete dust.



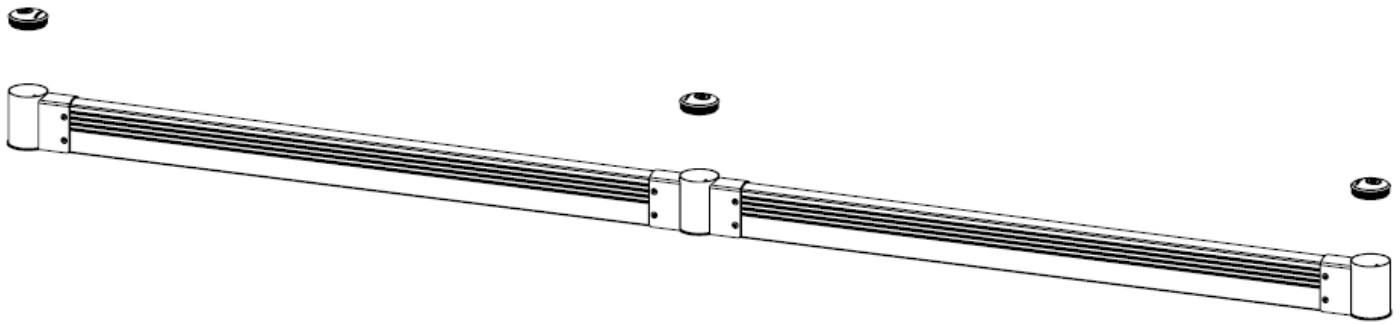
6

Fasten posts to floor with 1/2" concrete anchors through washers and shock absorbers.



7

Install caps to GroundBarrier posts.



8

Installation Complete

