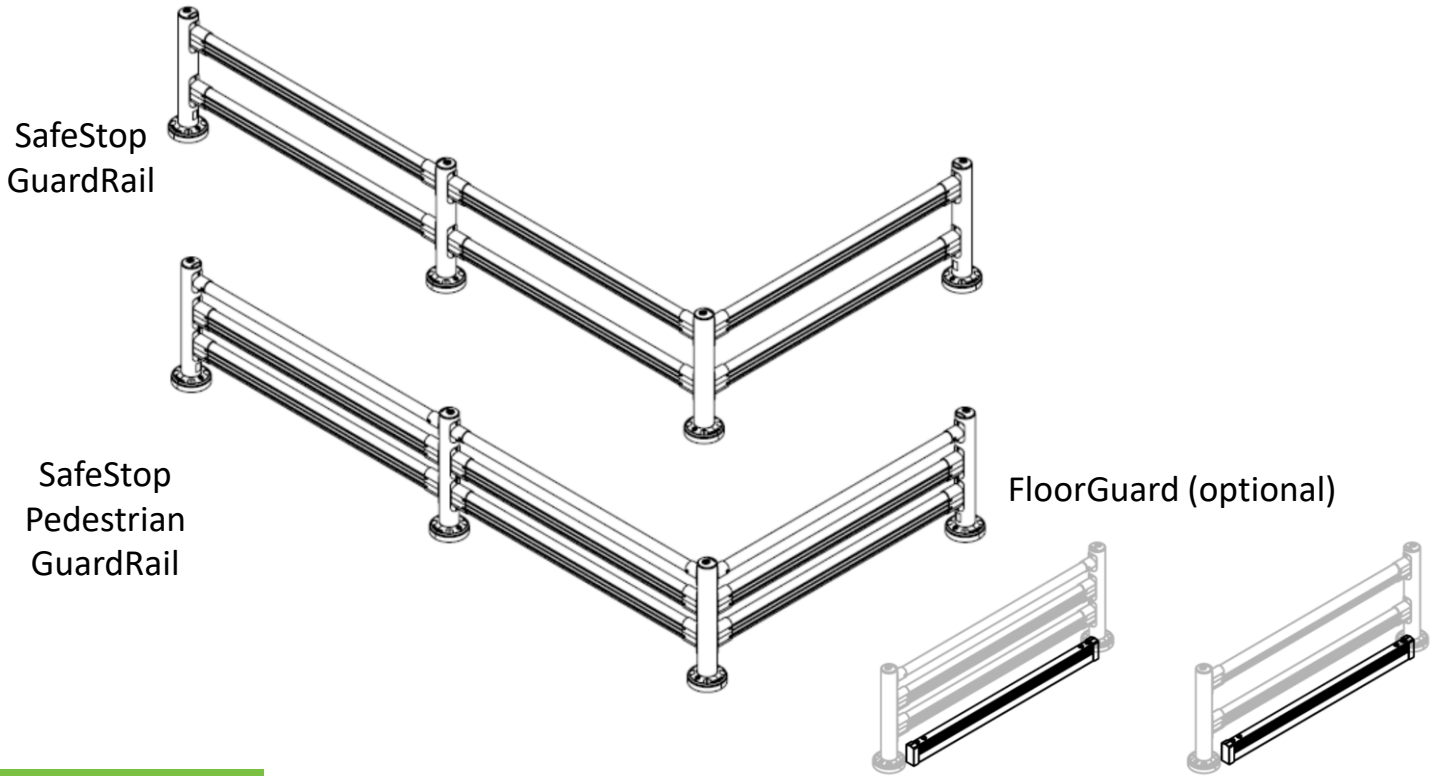


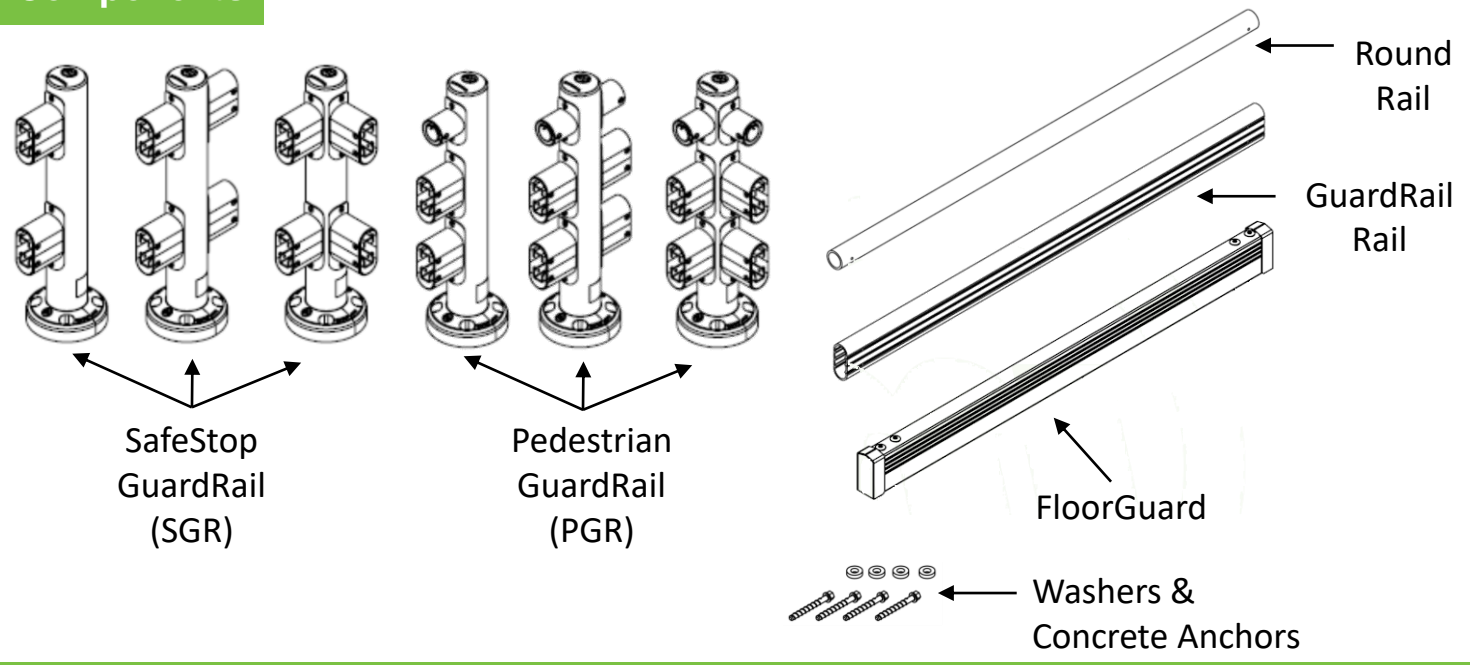
# SafeStop GuardRail & Pedestrian GuardRail



## INSTALLATION INSTRUCTIONS



### Components



**McCue Corporation**  
Danvers, Massachusetts, USA  
+1 (800) 800 8503  
customer care@mccue.com

**McCue UK & Europe**  
Milton Keynes, United Kingdom  
+44 (0)1908 365 511  
uksales@mccue.com

**McCue Asia**  
迈客(厦门)有限公司  
Xiamen, Fujian, China  
+86-592-2200790

**mccue.com**

# GuardRail & Pedestrian GuardRail

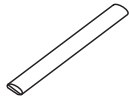


## INSTALLATION INSTRUCTIONS

### Required Tools



Tape Measure



Chalk



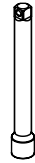
Chalk Line



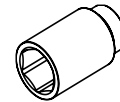
8mm Hex Bit



Impact Driver



Socket Extension



6-Point Socket  
3/4" Socket (US)  
17mm Socket (SI)



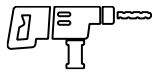
Vacuum



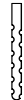
Drill



1/2" [12mm]  
Drill Bit



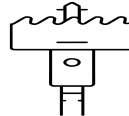
Hammer  
Drill



1/2" [12mm]  
Masonry Bit



Circular  
Saw



1.875" [48mm]  
Hole Saw  
(FloorGuard Opt)



0.875" [24mm]  
Drill Bit  
(FloorGuard Opt)

### Attention

PPE recommended: High visibility vest, Steel Toe Boots, Work Gloves, Ear Protection, Dust Mask, Eye Protection.

Clean concrete dust by running the vacuum during drilling.

### Note

These instructions are for SafeStop GuardRail and Pedestrian GuardRail configurations as shown above. For simplicity, the Pedestrian Guardrail will be shown in images.

Configurations and components vary by install.



**McCue Corporation**  
Danvers, Massachusetts, USA  
+1 (800) 800 8503  
customer@McCue.com

**McCue UK & Europe**  
Milton Keynes, United Kingdom  
+44 (0)1908 365 511  
uksales@McCue.com

**McCue Asia**  
迈客(厦门)有限公司  
Xiamen, Fujian, China  
+86-592-2200790

[mccue.com](http://mccue.com)

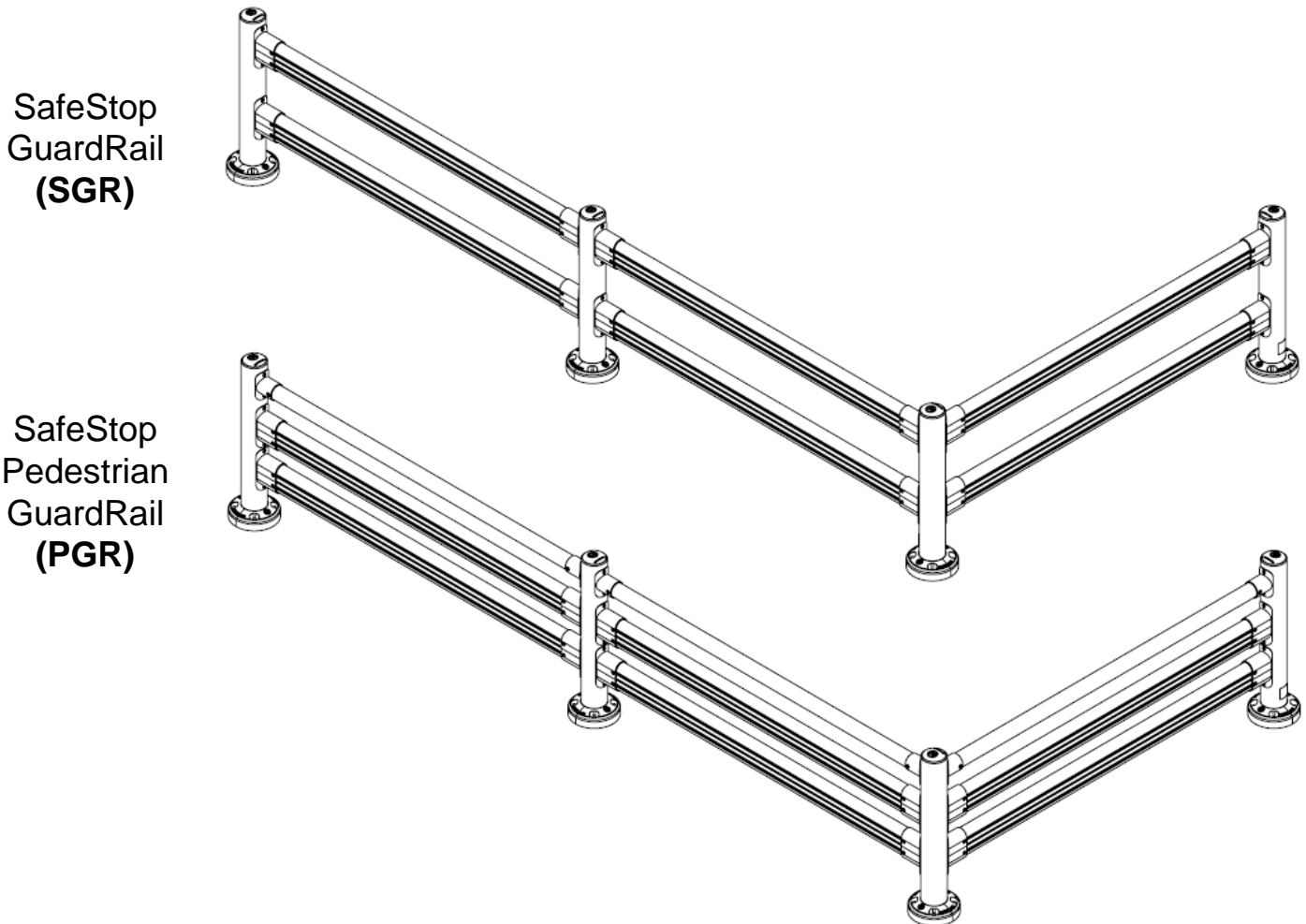




- PPE recommended: High visibility vest, Steel Toe Boots, Work Gloves, Ear Protection, Dust Mask, Eye Protection.
  - Clean concrete dust by running the vacuum during drilling.
- 

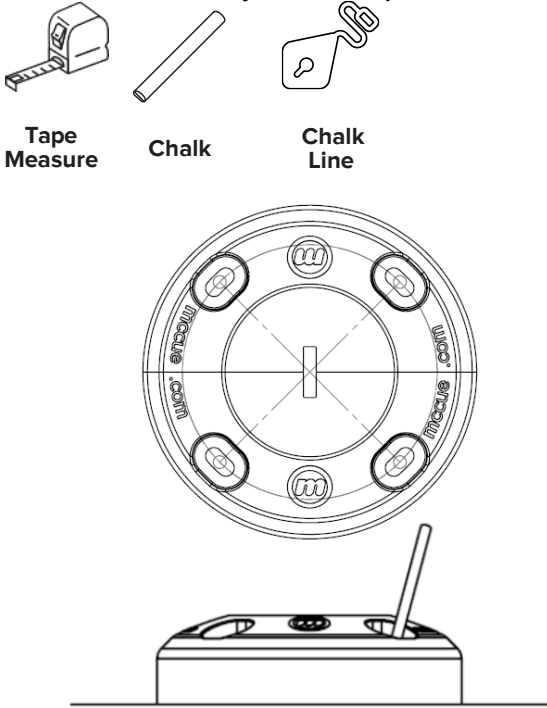
These instructions are for Standard GuardRail and Pedestrian GuardRail configurations as shown below. For simplicity, the Pedestrian Guardrail will be shown in all images.

Configurations and components vary by install.



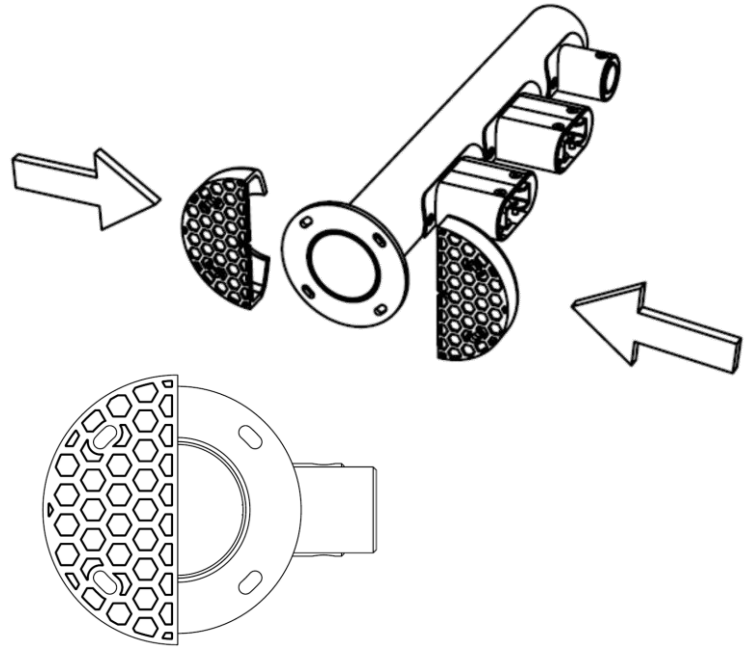
## Step 1

Snap chalk line where GuardRail will be installed and use the Shock Absorber to mark holes for your first post.



## Step 2

Install Shock Absorbers over baseplate.



## Step 3

### Custom Length Rails Only

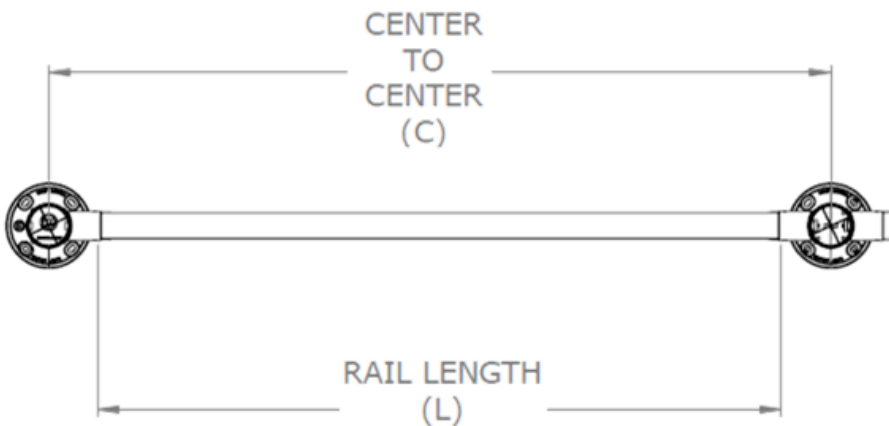
*For standard length sections, move on to next step.*

Measure and cut rails for custom length section.

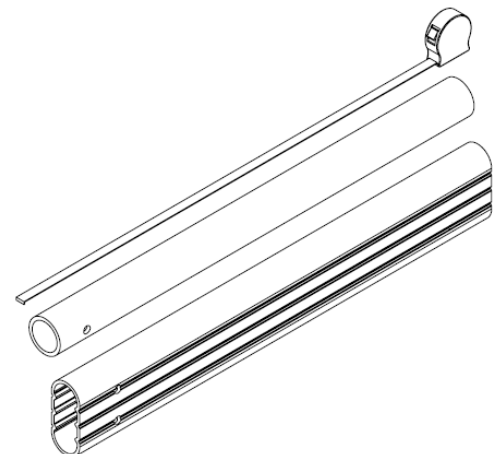
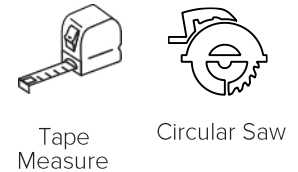
For SGR Installation, cut QTY 2 GuardRail Rails to length

For PGR installation, cut QTY 2 GuardRail Rails and QTY 1 Round Rail.to length

$$\text{Rail Length } L(\text{in}) = C(\text{in}) - 7.50\text{in}$$
$$L(\text{mm}) = C(\text{mm}) - 190\text{mm}$$

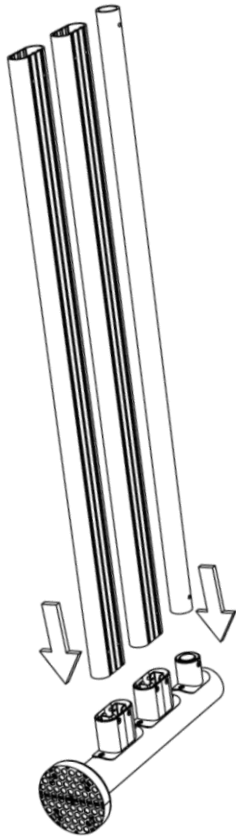


Top View



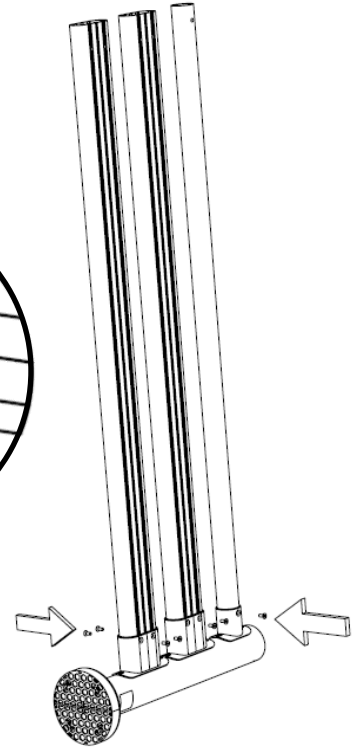
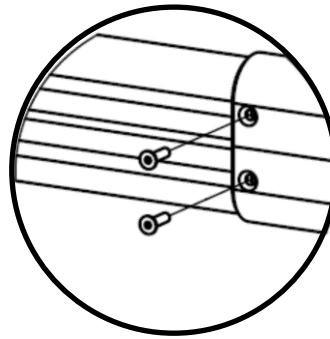
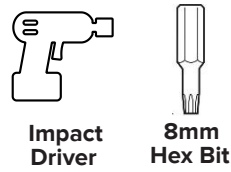
## Step 4

Insert Rails so holes in rails align with holes in cups on post.



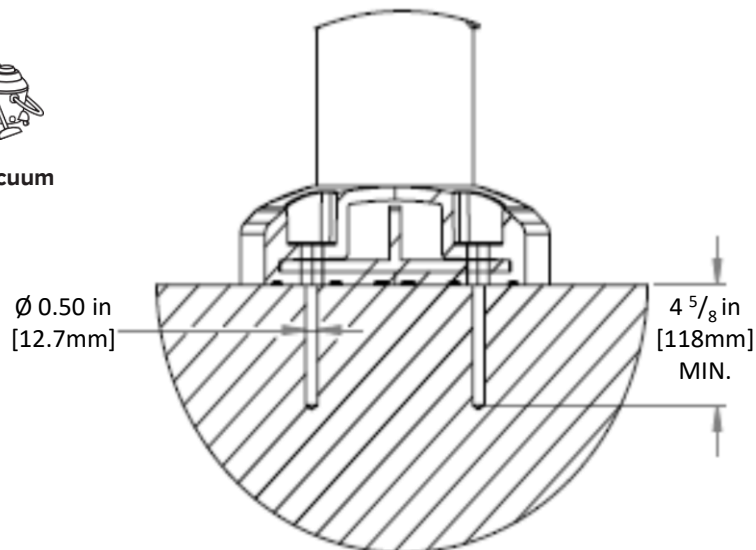
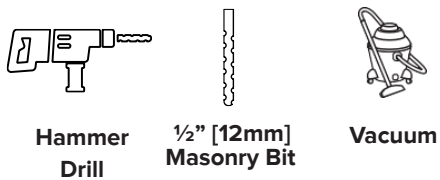
## Step 5

Fasten M12 screws through post cups to secure rails.



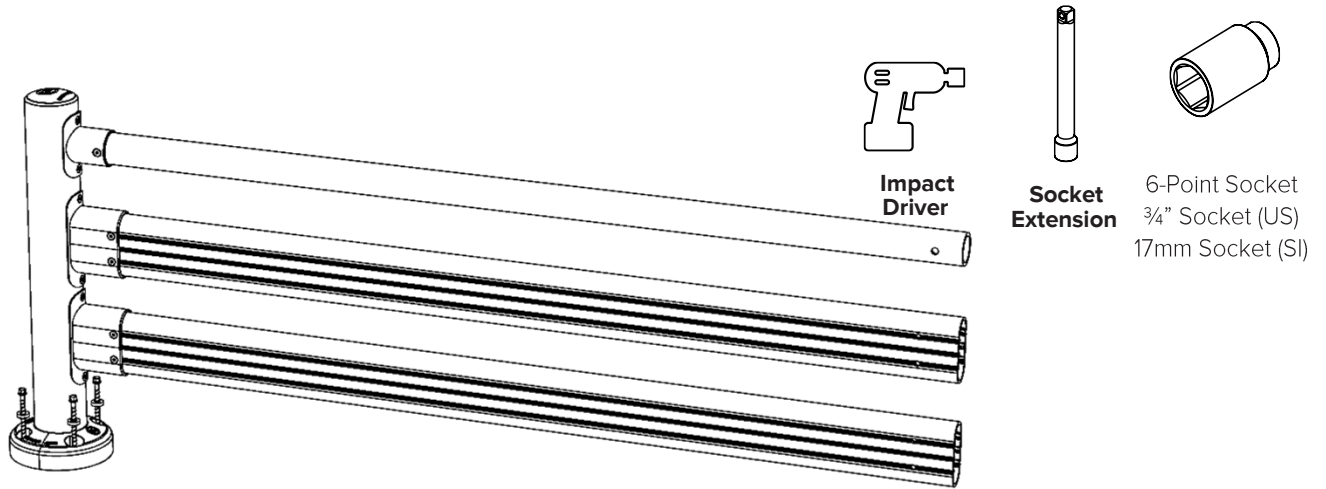
## Step 6

Drill holes for first post using 1/2" [12mm] drill bit, 4-5/8" [118mm] minimum depth.



**Step 7**

Move post in to place. Fasten post to floor with 1/2" [12mm] concrete anchors through washers.



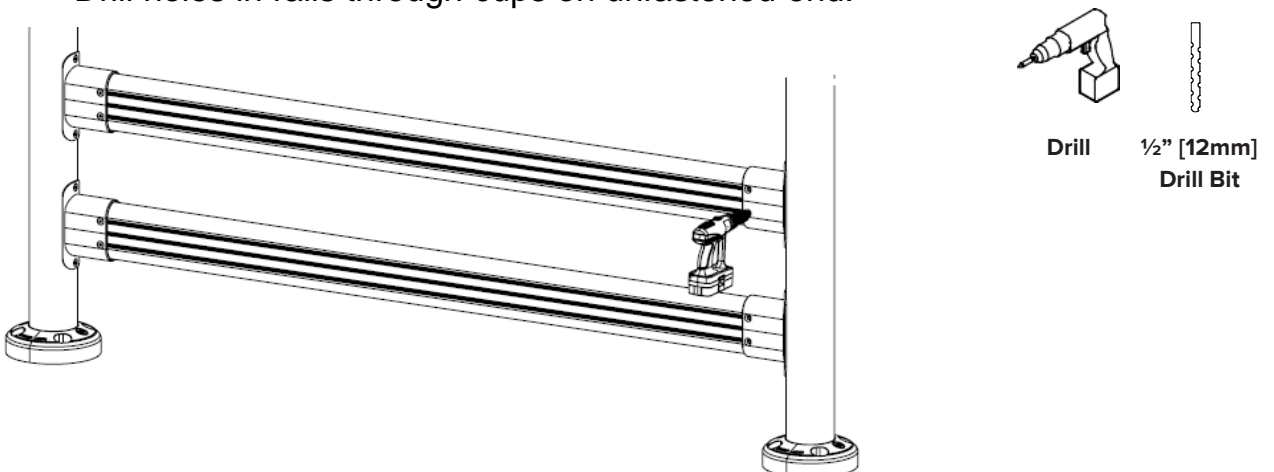
**Step 8**

Align next post. Insert rails into cups starting with the bottom cup, working upwards.



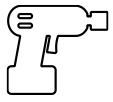
**Step 9**

For custom length rails  
Drill holes in rails through cups on unfastened end.

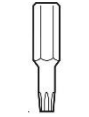


## Step 10

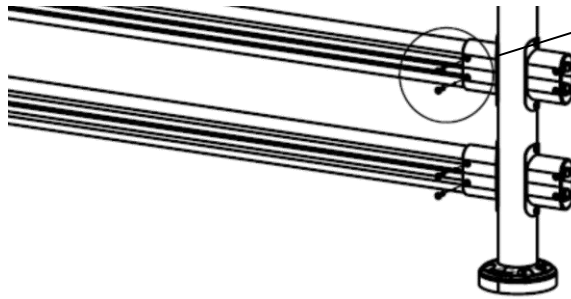
Fasten M12 screws through post cups to secure rails.



Impact Driver

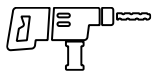


8mm Hex Bit

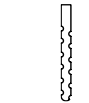


## Step 11

Ensure post is in position and in line and then drill anchor holes through shock-absorber and baseplate, minimum 4-5/8" [118mm] hole depth.



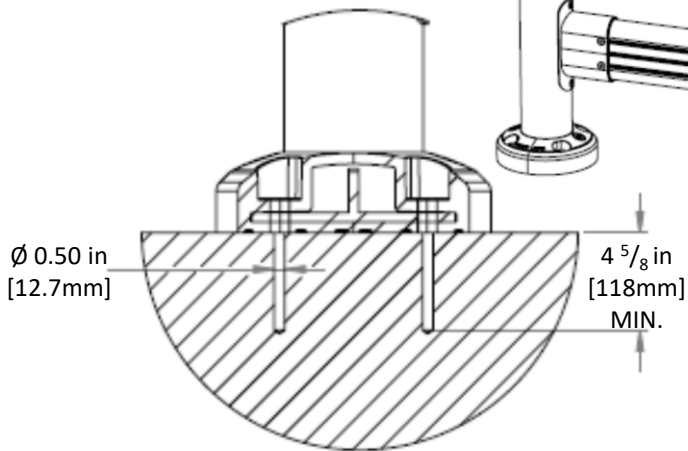
Hammer Drill



1/2" [12mm] Masonry Bit

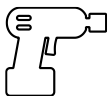


Vacuum



## Step 12

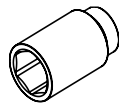
Fasten post to floor with 1/2" [12mm] concrete anchors through washers.



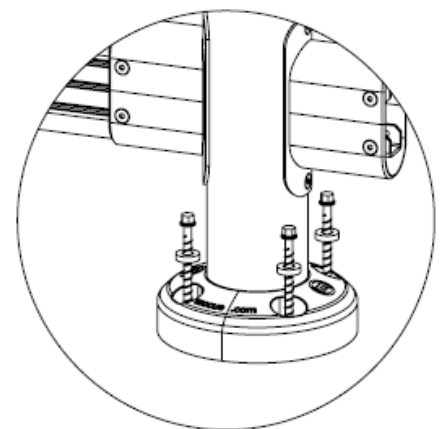
Impact Driver



Socket Extension

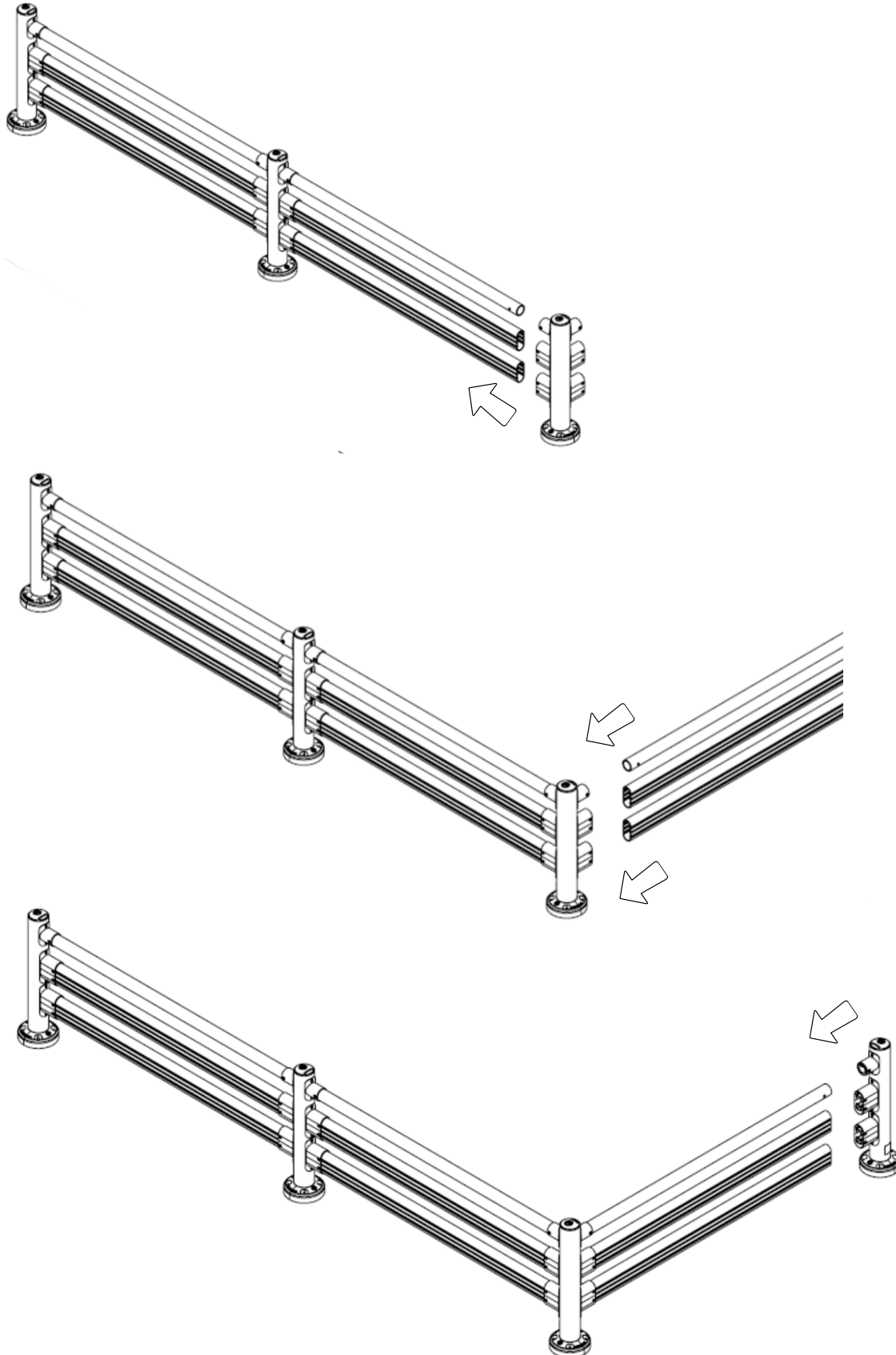


6-Point Socket  
3/4" Socket (US)  
17mm Socket (SI)



## Step 13

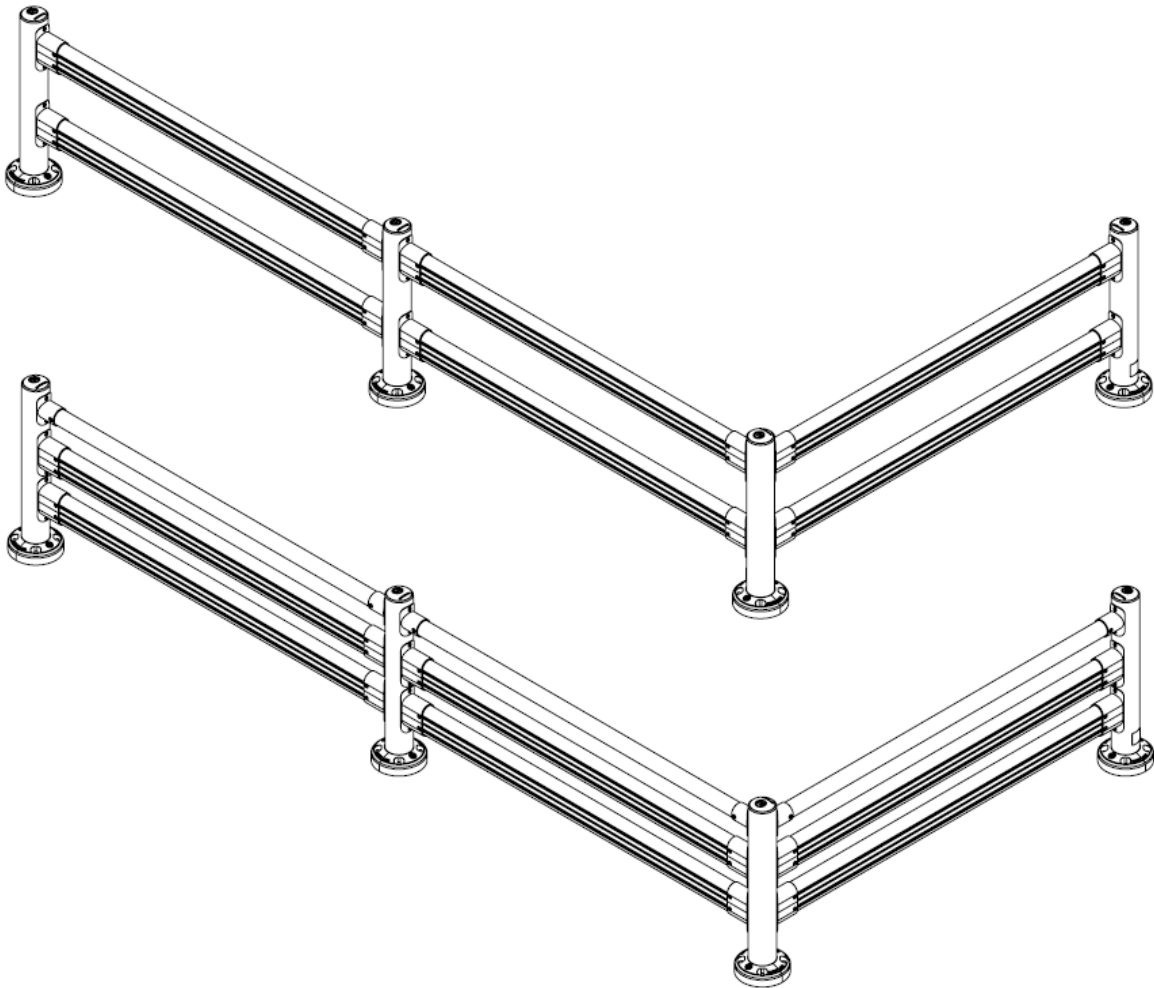
Continue with steps 8-12 until final post is fully installed





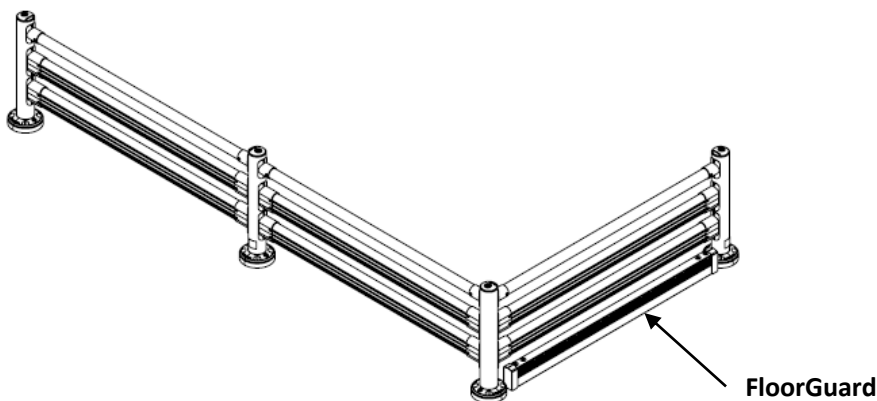
## Step 12

GuardRail Installation Complete.



## Optional

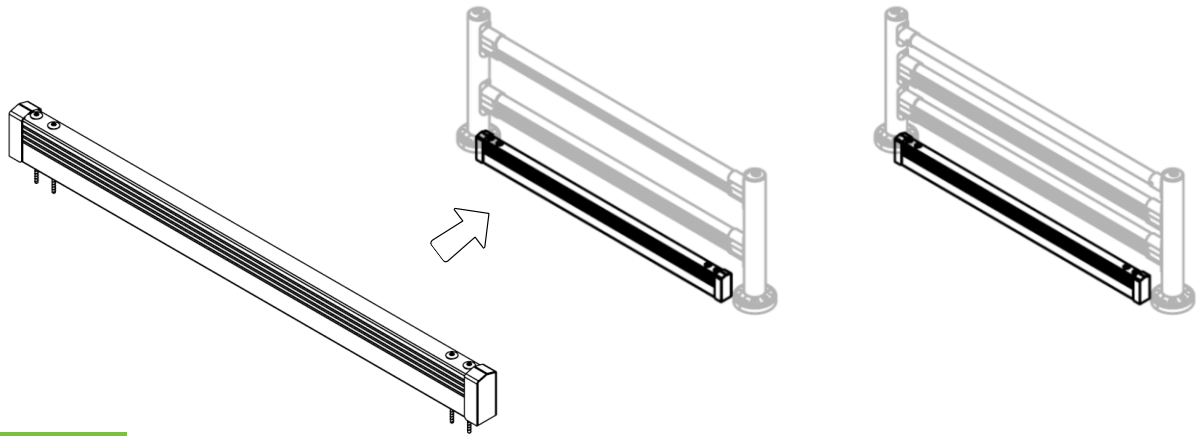
Continue to FloorGuard Installation Instructions next for accessory install method.



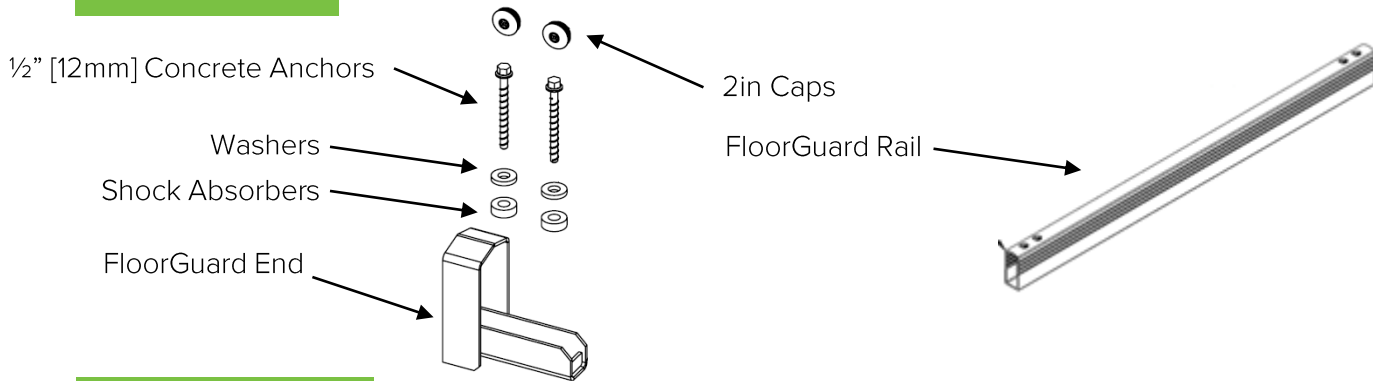
# GuardRail with FloorGuard



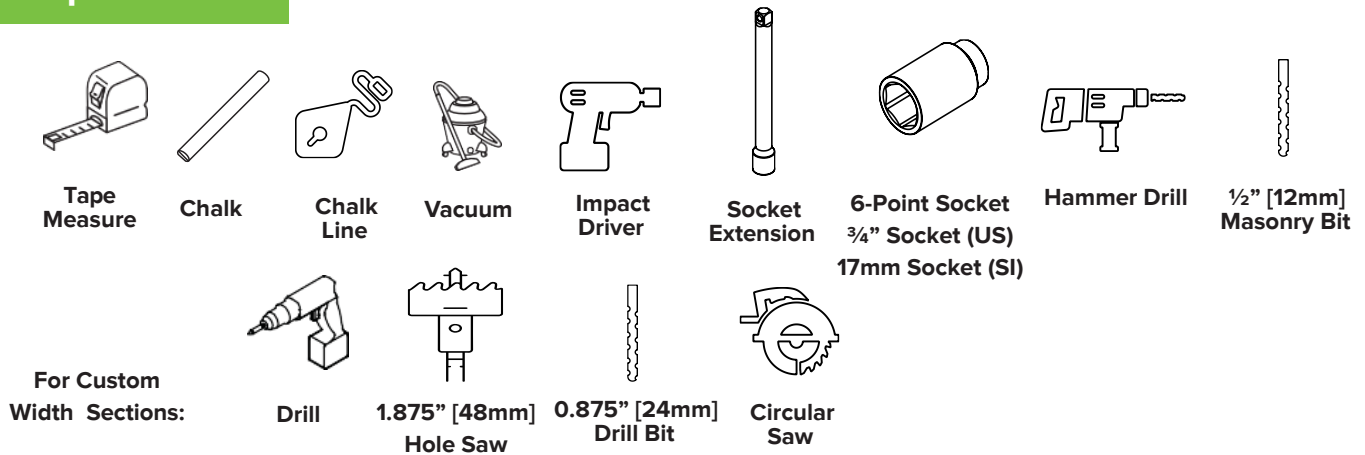
## INSTALLATION INSTRUCTIONS



### Components



### Required Tools



**McCue Corporation**  
 Danvers, Massachusetts, USA  
 +1 (800) 800 8503  
[customer-care@mccue.com](mailto:customer-care@mccue.com)

**McCue UK & Europe**  
 Milton Keynes, United Kingdom  
 +44 (0)1908 365 511  
[uksales@mccue.com](mailto:uksales@mccue.com)

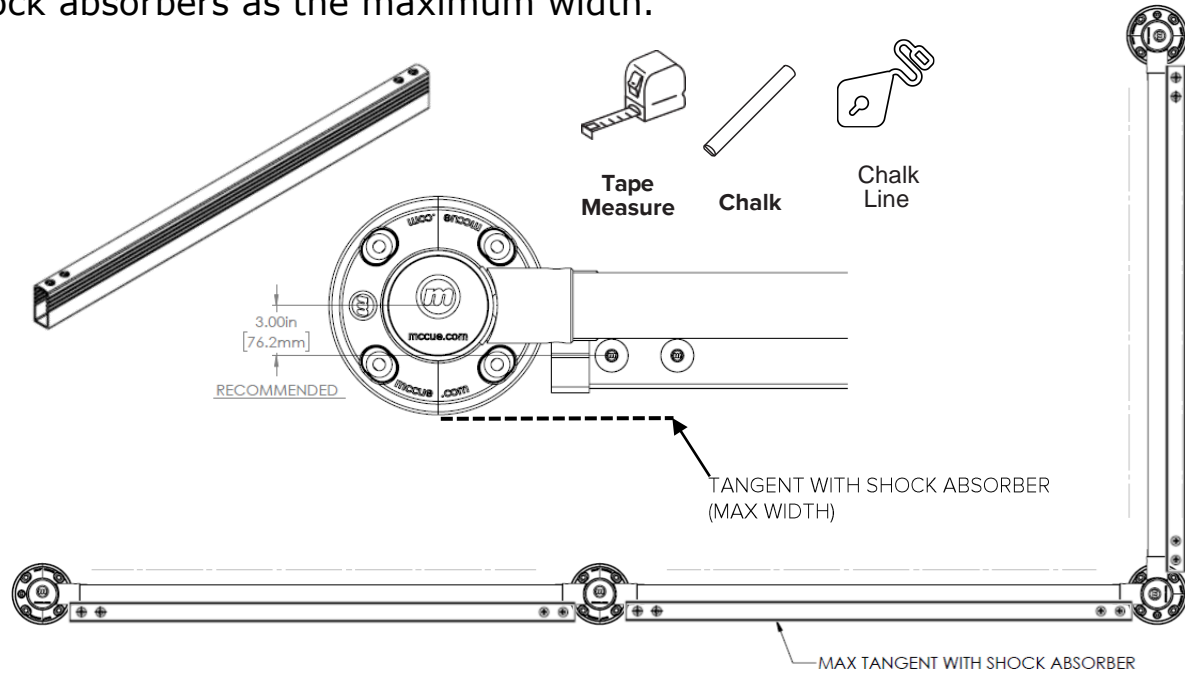
**McCue Asia**  
 迈客(厦门)有限公司  
 Xiamen, Fujian, China  
 +86-592-2200790

[mccue.com](http://mccue.com)



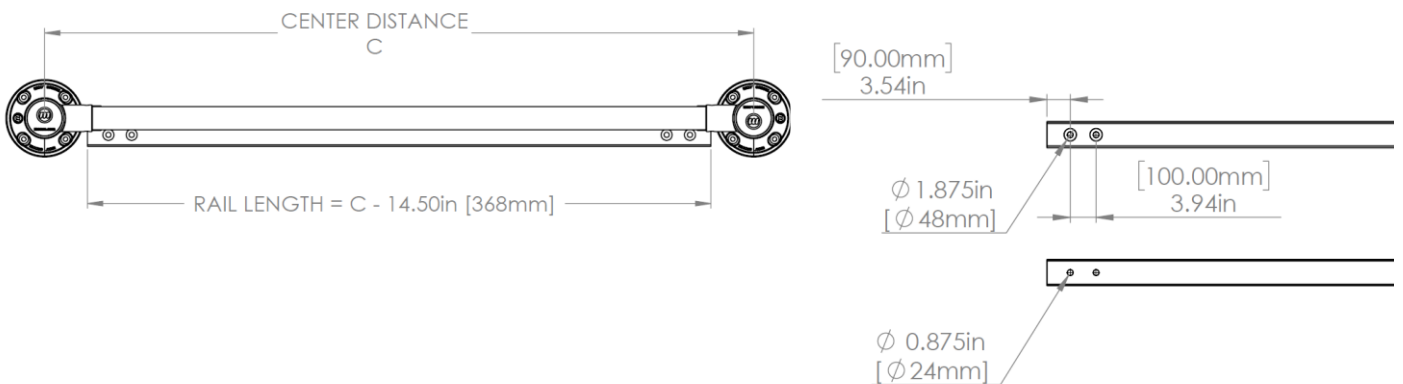
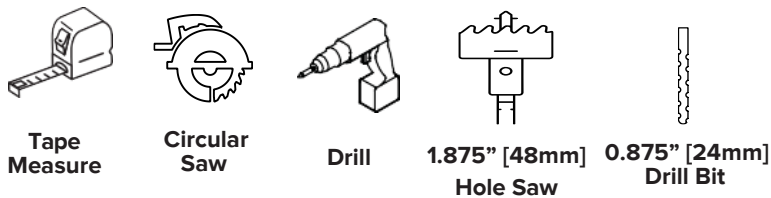
## Step B-1

Move FloorGuard rails into place with the front face tangent with the shock absorbers as the maximum width.



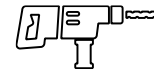
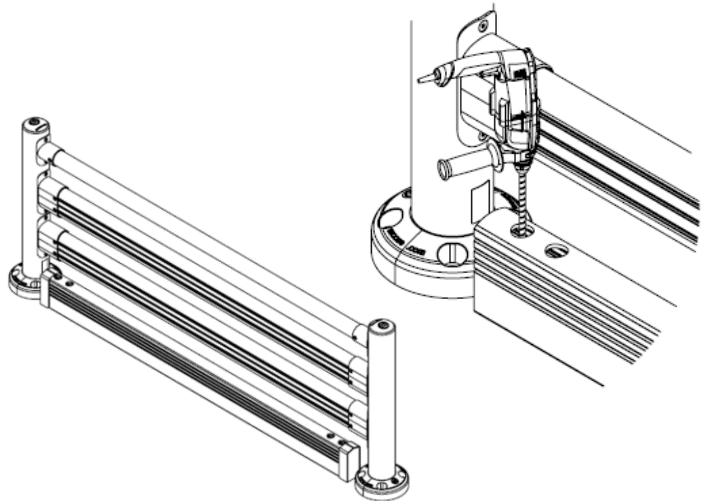
## Step B-2

For sections less than 10' [3048mm] center-to-center, cut FloorGuard rail to length, 14.50in [368mm] shorter than center-to-center distance. Re-drill holes on cut end per the dimensions shown below. For standard length sections continue to Step B-3.



## Step B-3

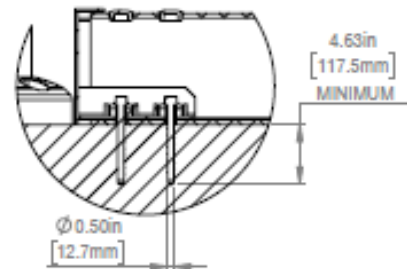
Ensure rails are in place tangent to shock absorbers. Drill 2 holes per side in the concrete through FloorGuard rail. Vacuum clean.



Hammer Drill  
With 1/2"  
[12mm]  
Masonry Bit



Vacuum



## Step B-4

Insert shock absorbers and washers concentric with FloorGuard anchor holes inside FloorGuard End (Figure A).  
Insert tab of FloorGuard ends into ends of rails until rail holes are concentric with anchor holes (Figure B).  
Fasten concrete anchors through FloorGuard End anchor holes to the floor and cap holes (Figure C & D).

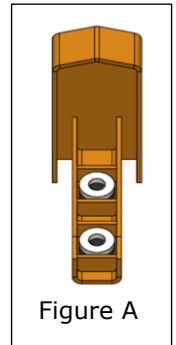


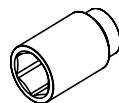
Figure A



Impact  
Driver



Socket  
Extension



6-Point Socket  
3/4" Socket (US)  
17mm Socket (SI)

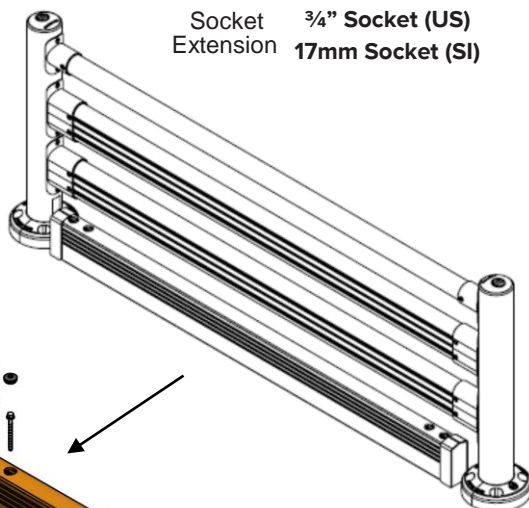


Figure C

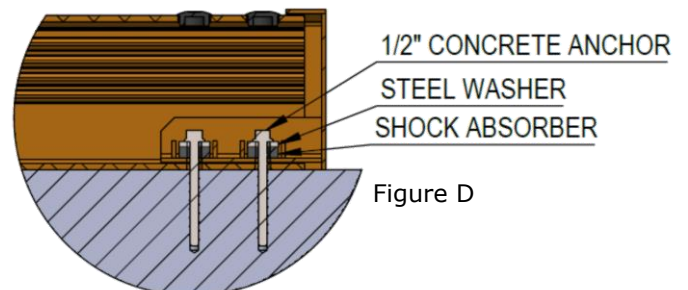
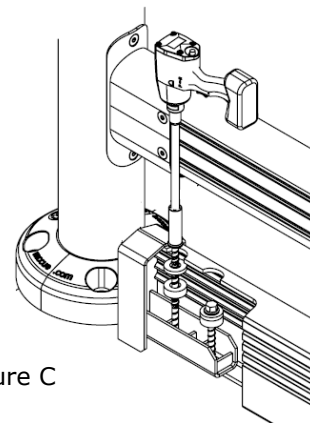


Figure D

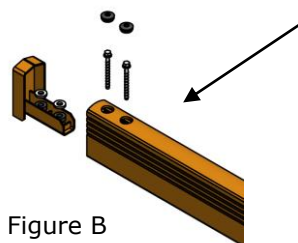
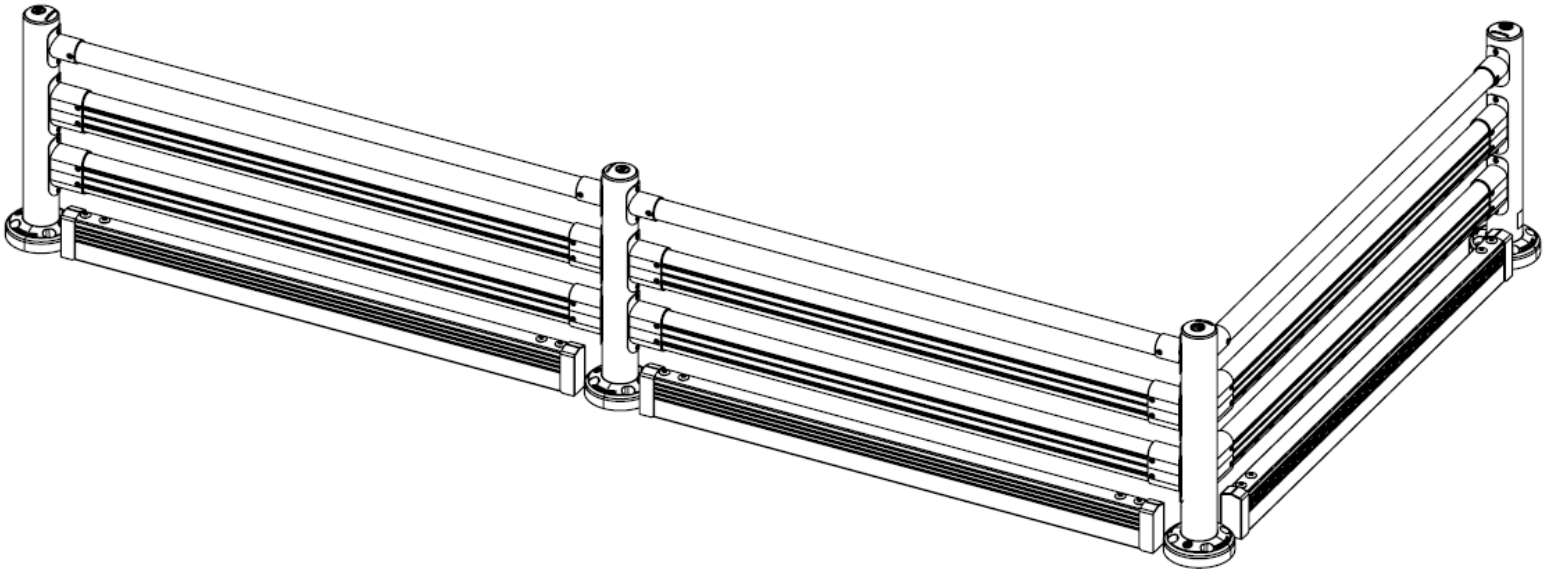
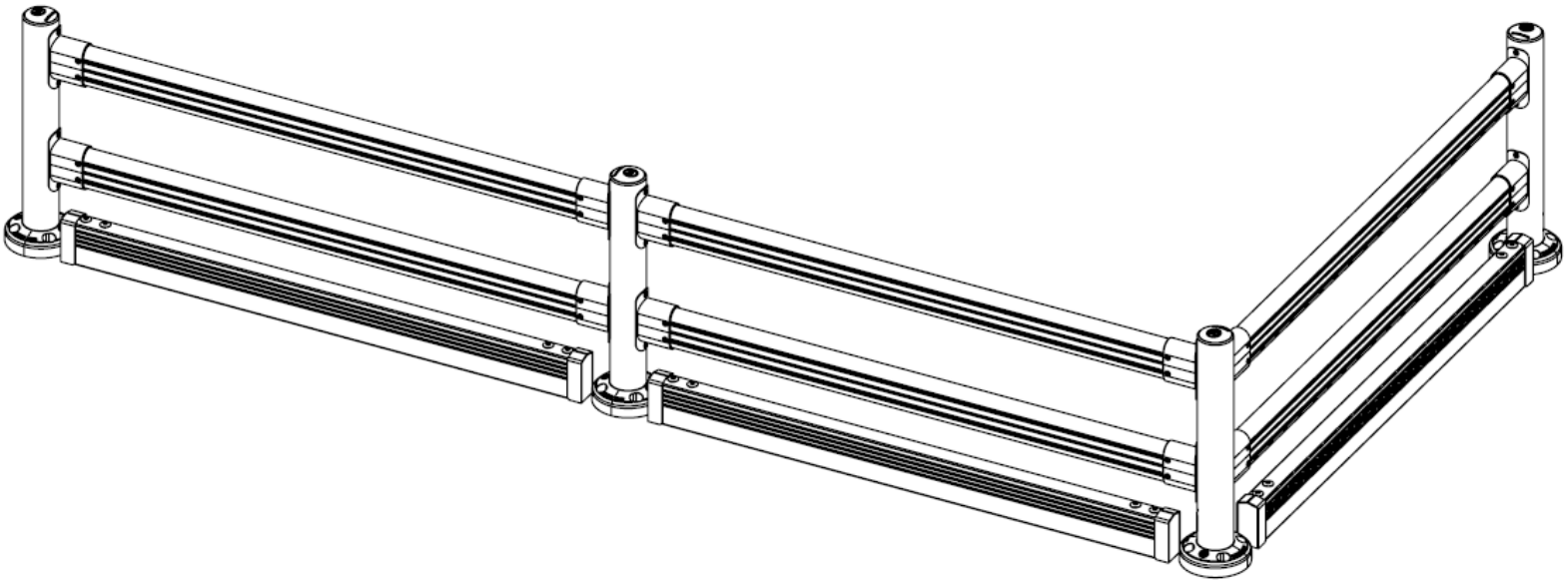


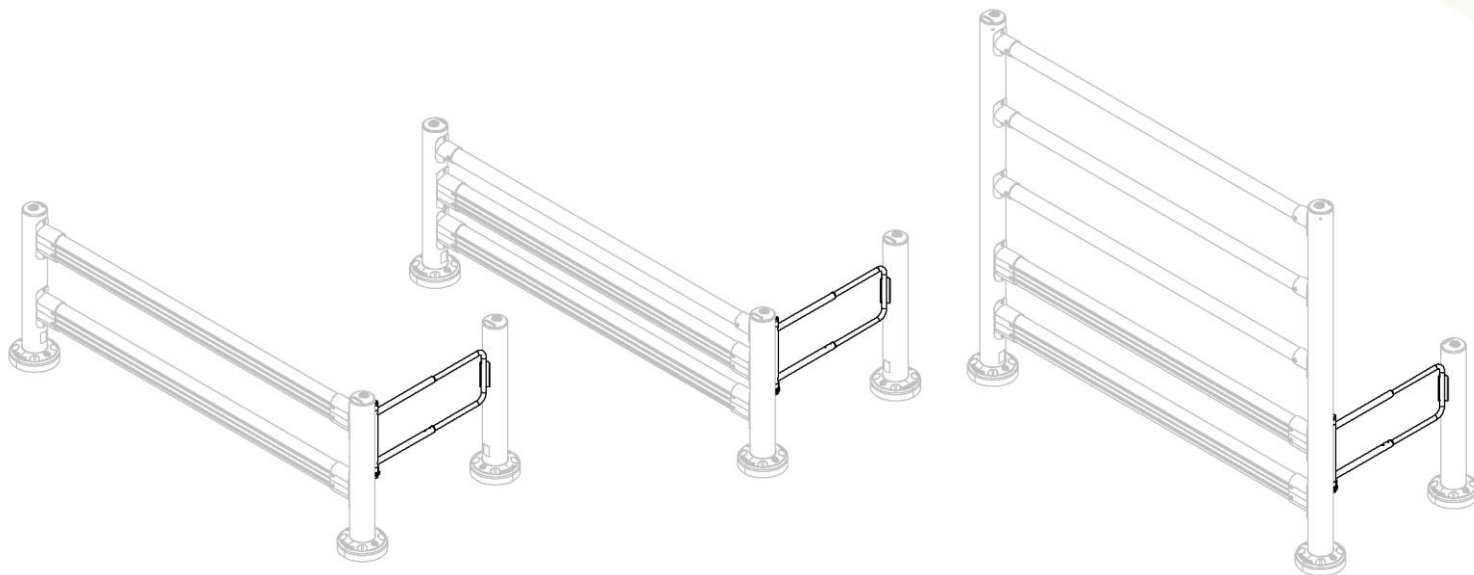
Figure B

Complete

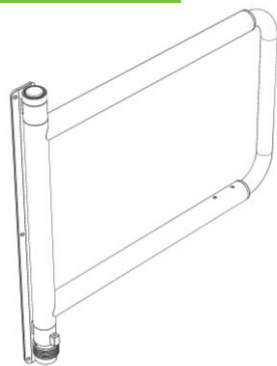


# SafeStop Pedestrian Swing Gate Add On Kit

## INSTALLATION INSTRUCTIONS



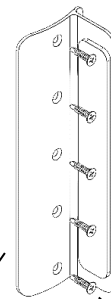
### Components



GATE



#12 X 1" HEX HEAD  
SELF DRILLING SCREWS



STOPPER

#8 X 3/4" PHILLIPS HEAD  
SELF DRILLING SCREWS

### Required Tools



#14(0.1820")  
Drill Bit



#29(0.1360")  
Drill Bit



5/32"  
Allen Key



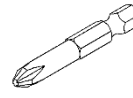
Pencil



Razor  
Knife



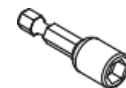
Tape  
Measure



Phillips  
Bit No.2



Drill or  
Impact



Nut Driver  
With 5/16" Bit



**McCue Corporation**  
Danvers, Massachusetts, USA  
+1 (800) 800 8503  
[customercare@mccue.com](mailto:customercare@mccue.com)

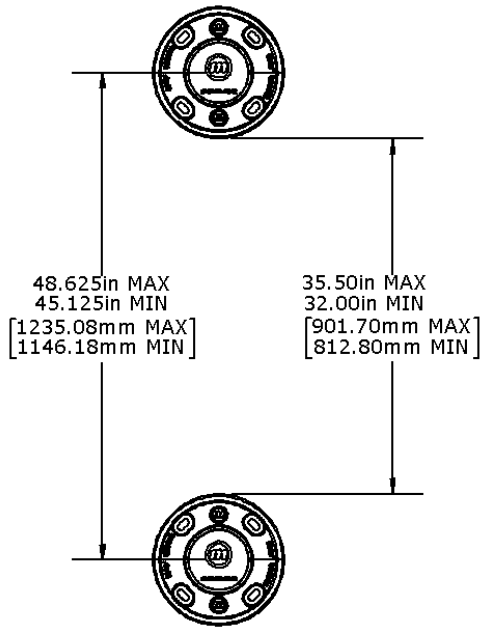
**McCue UK & Europe**  
Milton Keynes, United Kingdom  
+44 (0)1908 365 511  
[uksales@mccue.com](mailto:uksales@mccue.com)

**McCue Asia**  
迈客(厦门)有限公司  
Xiamen, Fujian, China  
+86-592-2200790

[mccue.com](http://mccue.com)

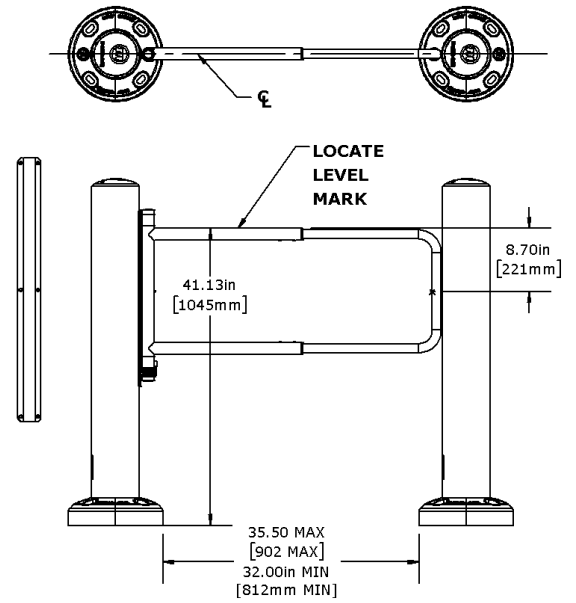


### Step 1



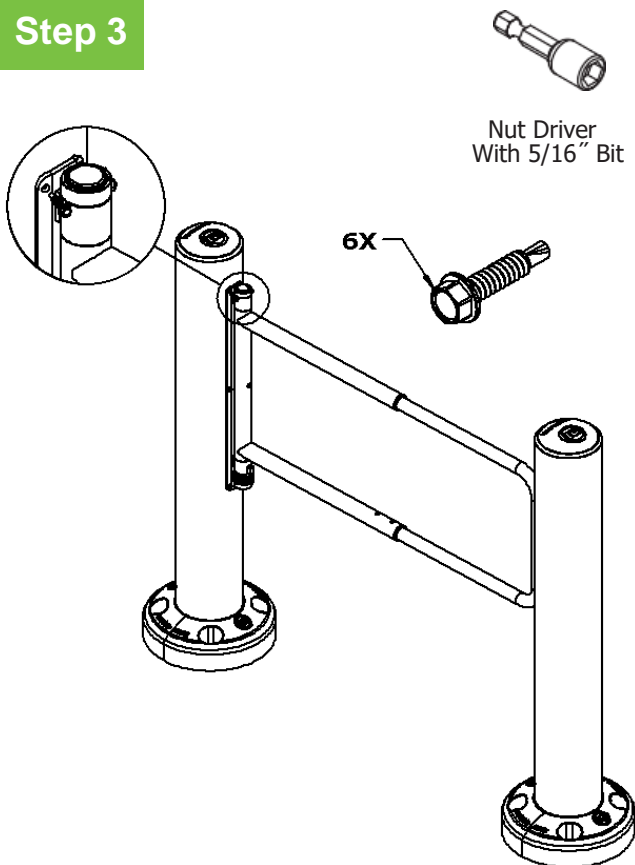
Install SafeStop Products with acceptable spacing as shown above. Refer to product specific installation instructions for Installation procedures.

### Step 2



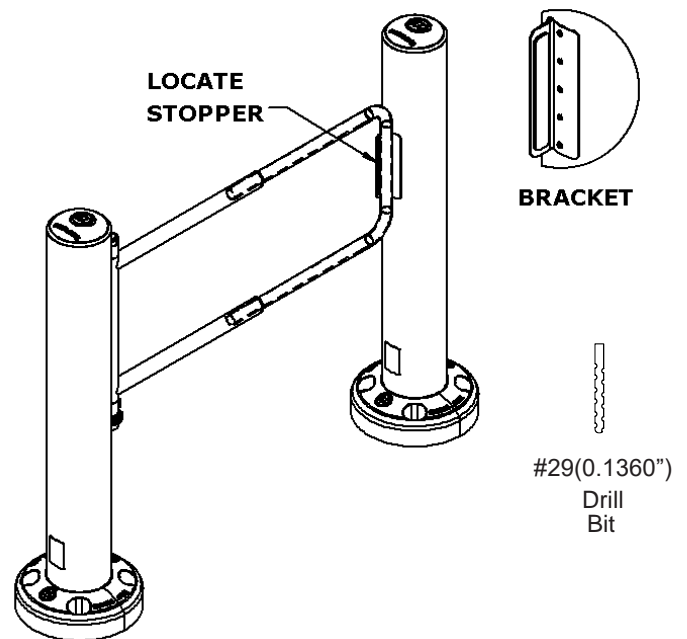
Locate gate on center and mark all the mounting hole locations.

### Step 3



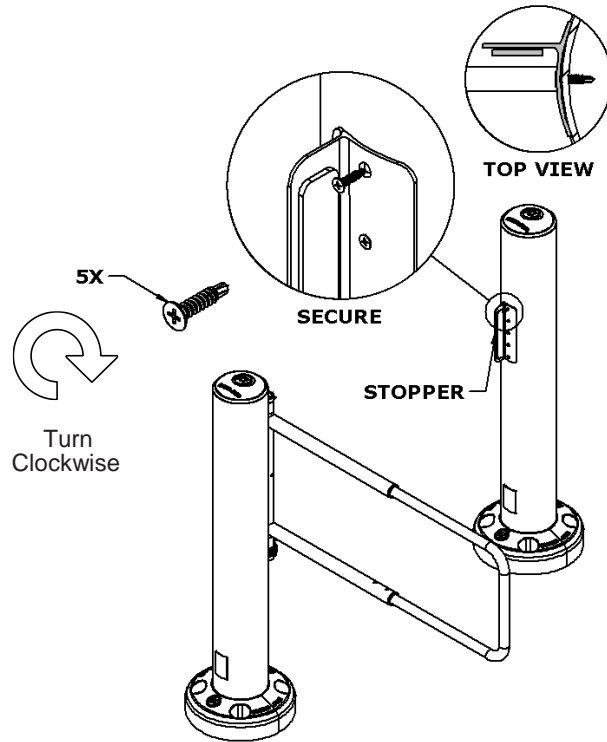
Secure using 5/16" Nut driver bit until flush. Do not over torque.

### Step 4



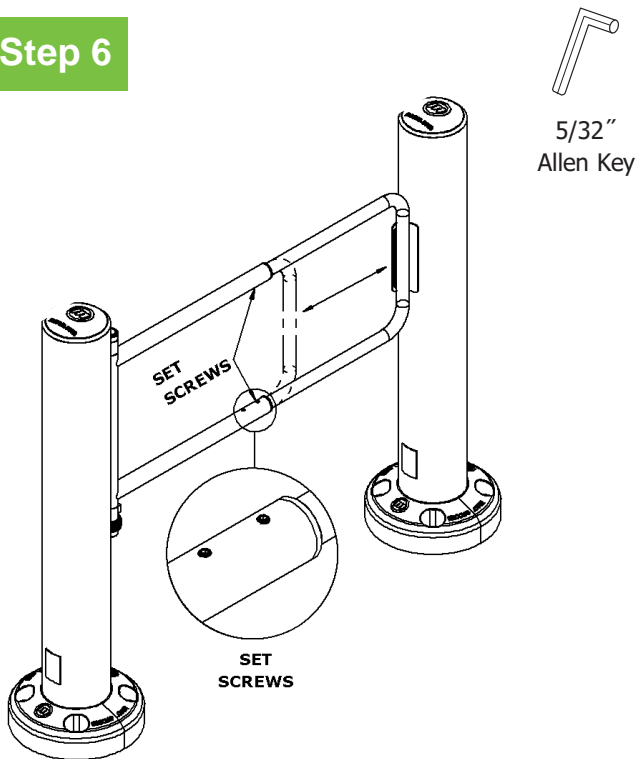
Mark hole locations and drill pilot holes using #29 drill bit.

## Step 5

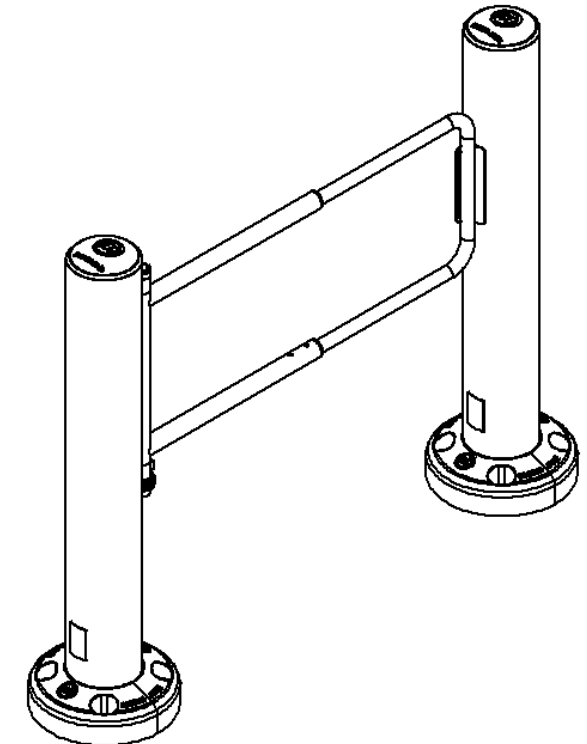


Secure using a drill with a Phillips bit until all screws are flush. Do not over torque.

## Step 6



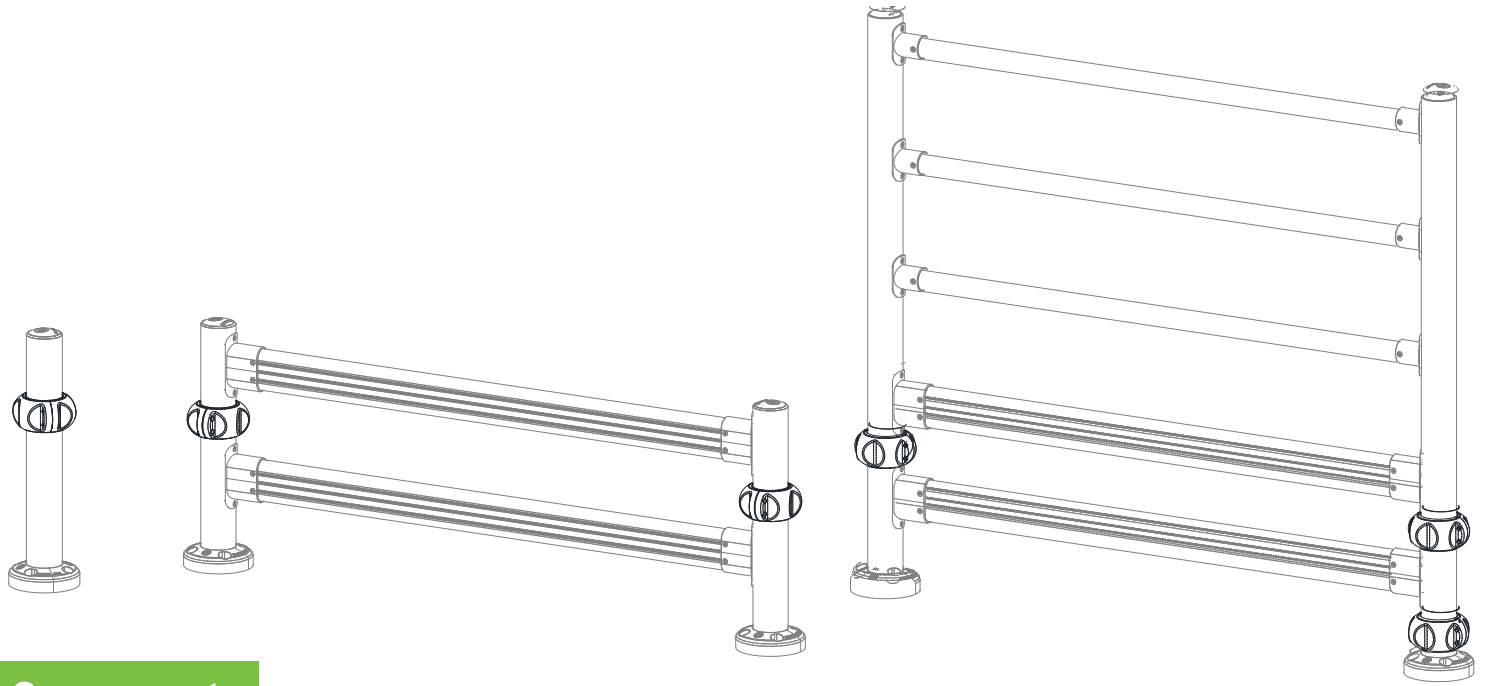
Telescoping arm can be adjusted by loosening set screws. Secure arm by tightening all set screws.



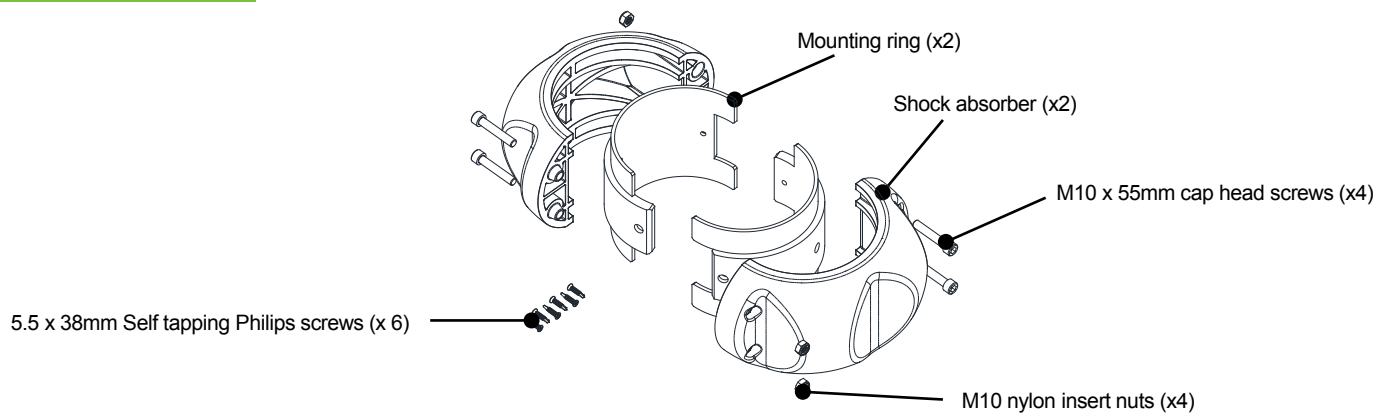


# SafeStop Spinner Add On

## INSTALLATION INSTRUCTIONS



### Components

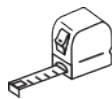


Kit: SSA-K-SPN

### Required Tools



Pencil/  
marker



Tape  
Measure



Drill



4mm [5/32"]  
HSS Drill Bit



Phillip's  
Screwdriver/drill bit



8mm  
Allen Key



**McCue Corporation**  
Danvers, Massachusetts, USA  
+1 (800) 800 8503  
[customer care@mccue.com](mailto:customer care@mccue.com)

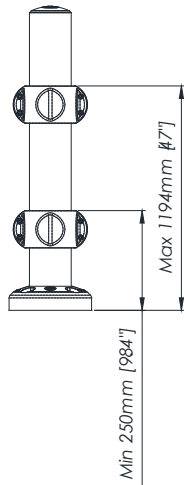
**McCue UK & Europe**  
Milton Keynes, United Kingdom  
+44 (0)1908 365 511  
[uksales@mccue.com](mailto:uksales@mccue.com)

**McCue Asia**  
迈客(厦门)有限公司  
Xiamen, Fujian, China  
+86-592-2200790

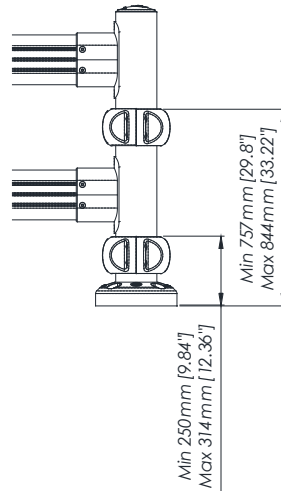
[mccue.com](http://mccue.com)



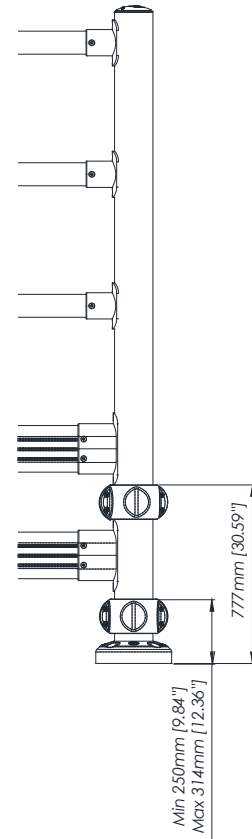
## Recommended Install Heights



**SafeStop Bollard**

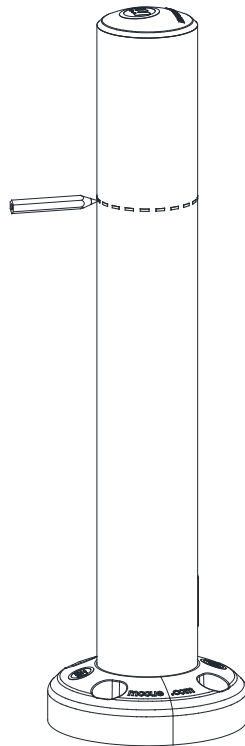


**SafeStop GuardRail**



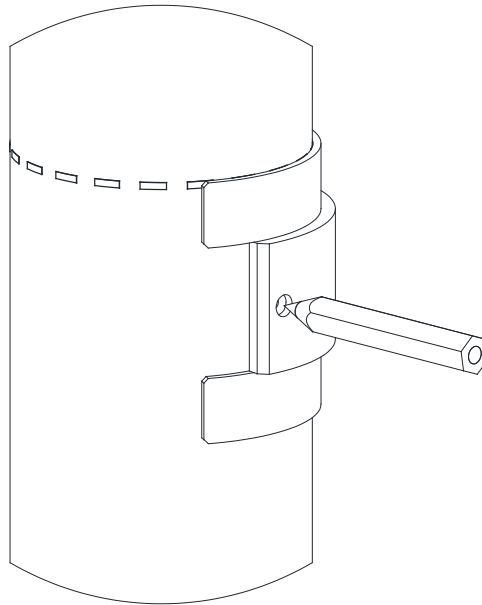
**SafeStop Topple Barrier**

## Step 1



**Measure and mark out the top height required for the Spinner**

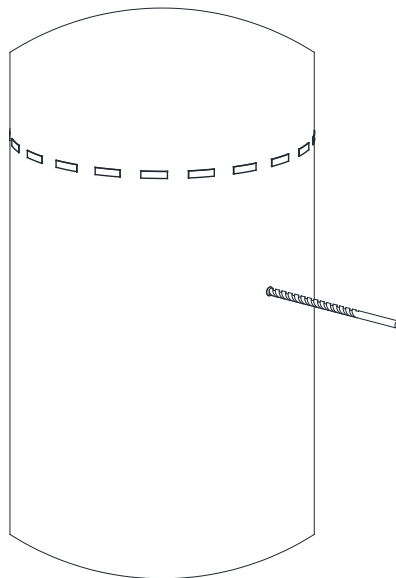
### Step 3



**Position the 1<sup>st</sup> half of the mounting ring ensuring it is straight marking the 3-hole locations**

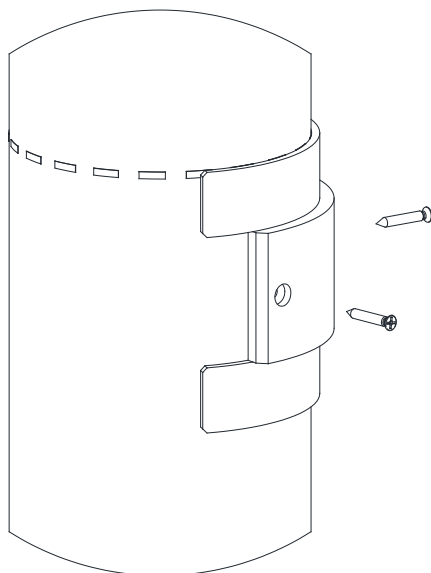
---

### Step 4



**Using a drill and 4mm [5/32"] HSS drill bit pilot hole the 3 marked hole locations**

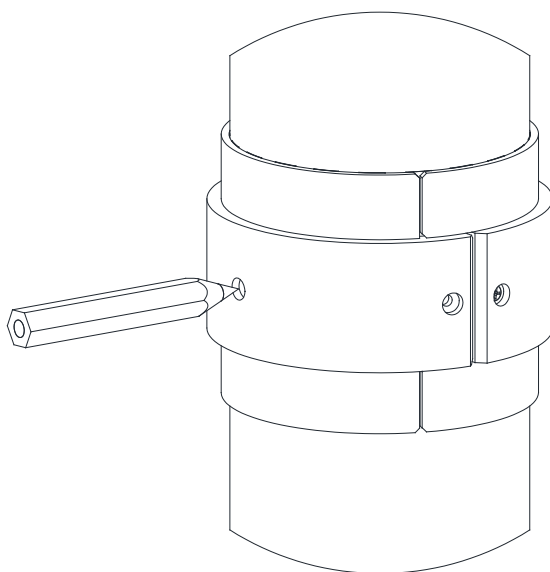
## Step 4



**Using the self tapping screws supplied reposition and secure the 1<sup>st</sup> half of the mounting ring**

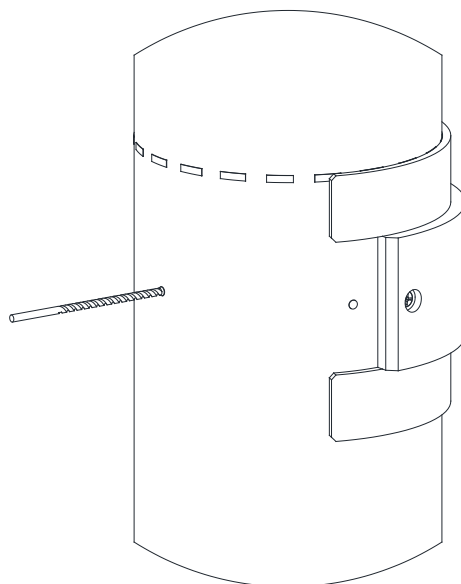
---

## Step 3



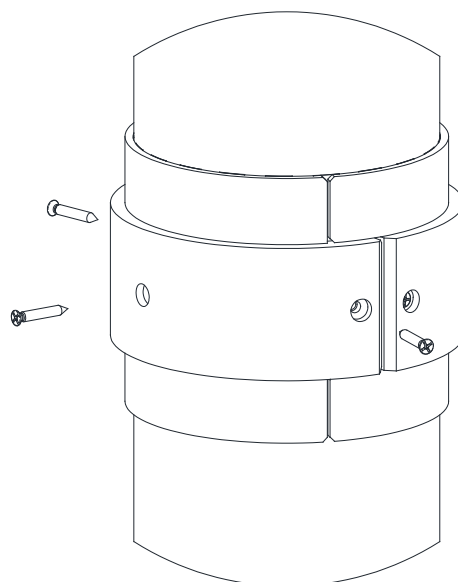
**Position the 2<sup>nd</sup> half of the mounting ring and mark the 3-hole locations**

## Step 4



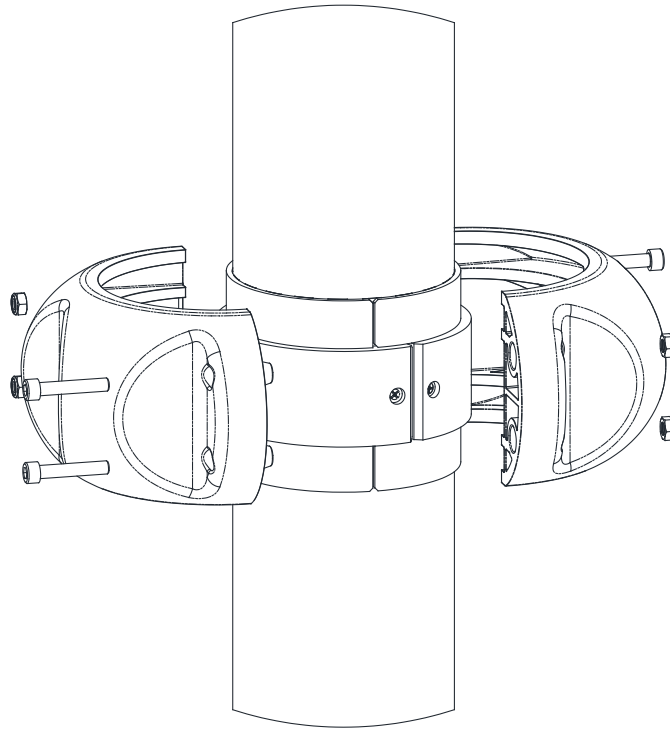
Using a drill and 4mm [5/32"] HSS drill bit pilot hole the 3 marked hole locations for the 1st half of the mounting ring

## Step 5



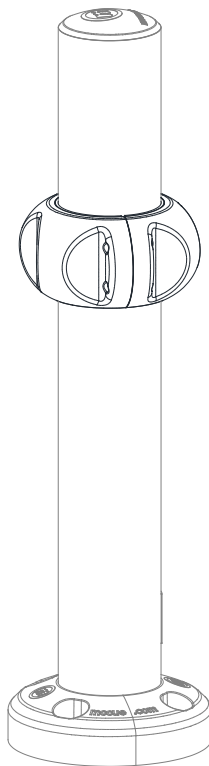
Using the self tapping screws supplied reposition and secure the 2<sup>nd</sup> half of the mounting ring

**Step 7**



**Using the M10 cap head screws and nuts supplied secure the shock absorber around the fixed mounting ring**

**Step 8**



**Installation Complete**