



SAFESTOP PEDESTRIAN with GROUNDBARRIER

**INNOVATIVE GUARDRAILS
 KEEP YOUR PEOPLE SAFE**




Strong uprights and flexible rails provide ultimate stopping power


THE MCCUE DIFFERENCE

HI, WE'RE MCCUE & WE MAKE SAFETY EASY!

Our design philosophy is simple, innovate with our customers every day to solve their most difficult safety problems. **Pedestrian with GroundBarrier** was engineered with that methodology and is revolutionising safety barrier innovation with these three principals:

 **SUPER STRENGTH**
 Designed to stop today's modern forklifts

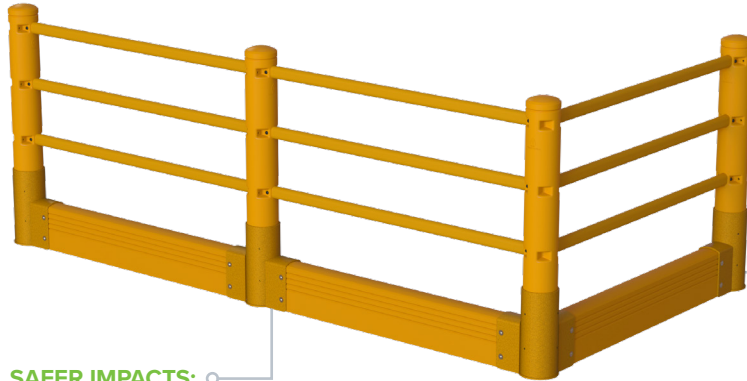
 **ENERGY ABSORPTION**
 Impact-absorbing barrier keeps your people safer

 **ULTIMATE ADAPTABILITY**
 Endless configurations ensure the perfect fit

DON'T LET YOUR FACILITY OF TOMORROW BE HELD BACK BY THE SAFETY BARRIERS OF YESTERDAY - UPGRADE TODAY (800) 800-8503!



EASY-TO-CONFIGURE: Modular rails and connectors allow for endless configurations.



SAFER IMPACTS: Proprietary rail connection provides unparalleled impact absorbency.

STOPPING POWER: Industry-leading upright strength from shock-absorbing post technology.

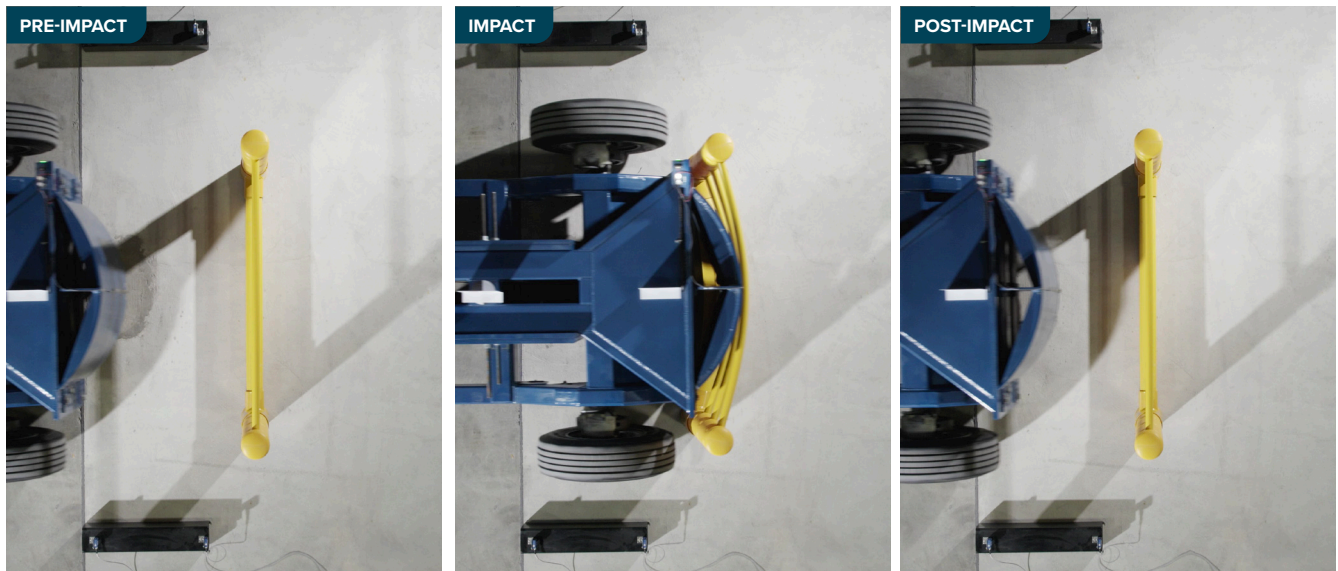


SAFESTOP PEDESTRIAN with GROUNDBARRIER

Meet **SafeStop Pedestrian with GroundBarrier**, a strong floor-mounted barrier that safely stops moving material handling vehicles. Engineered to safely absorb impacts —with minimum deflection— to protect your people, workspace, and bottom line.

HOW IT WORKS

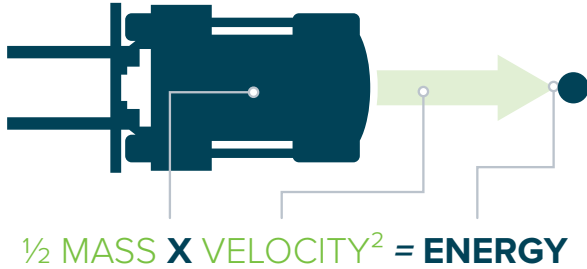
Pedestrian with GroundBarrier is packed full of innovative technology to safely stop heavy machinery. Upon impact, its reinforced uprights offer strength while its shock-absorbing rails flex to dissipate impact energy — keeping your operators, forklifts, and facility safe.



* PATENTS PENDING

IMPACT TESTING

Rigorous product testing at the highest standard.



Ultimate Strength Rating
15,489 ft-lbs (21,000 J)

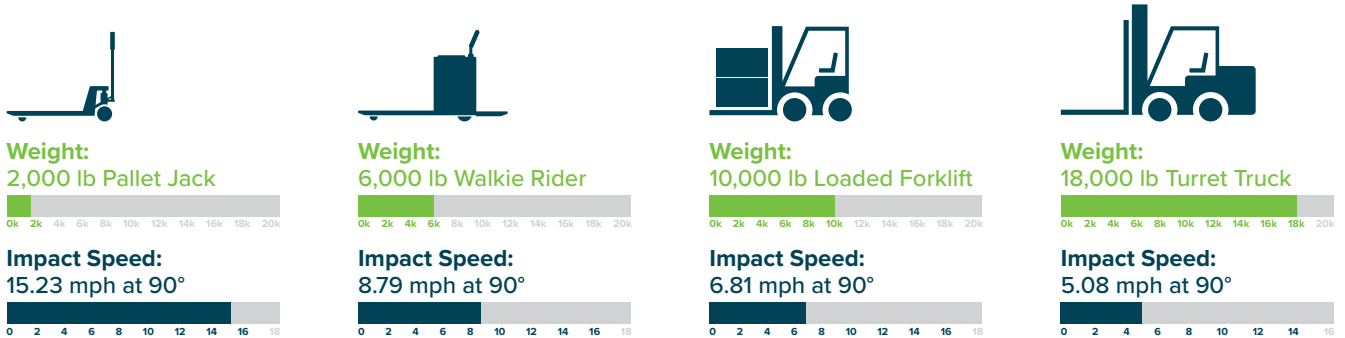

8,755 lbs
 (3971 kg)

X


7.27 mph
 (11.71 kmh)

90°	15,489 ft-lbs	21,000 J	45°	21,908 ft-lbs	29,703 J	30°	30,977 ft-lbs	42,000 J
------------	----------------------	-----------------	------------	----------------------	-----------------	------------	----------------------	-----------------

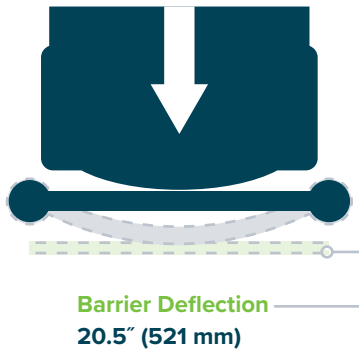
WHAT DOES 11,064 FT LBS (15,000 J) MEAN TO YOU?



MATERIAL PROPERTIES

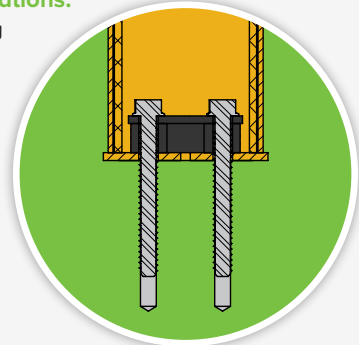
BARRIER DEFLECTION:

Flexible rails for maximum energy absorption.





Anchor Specifications:

A shock-absorbing anchor system protects both the anchors and the floor.



	Working Temperatures	32°F-130°F (0°C-54°C)
	Toxicity	Not Hazardous

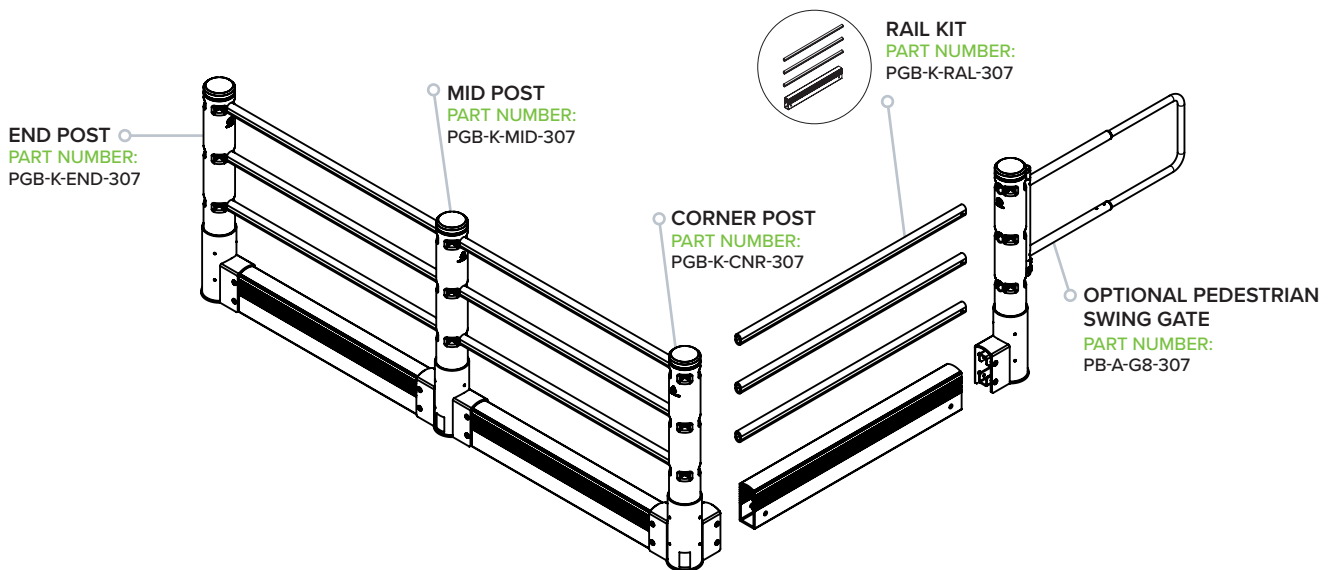
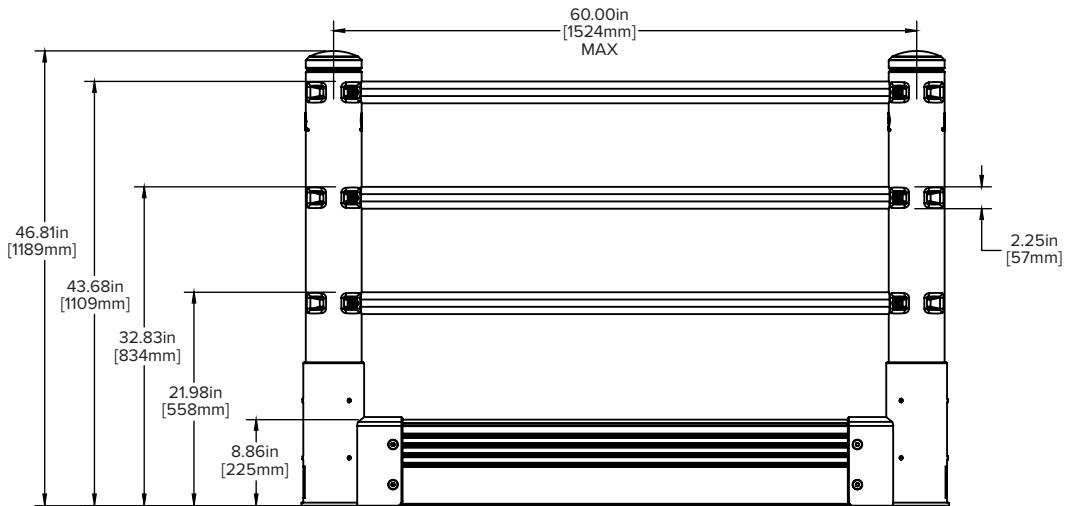
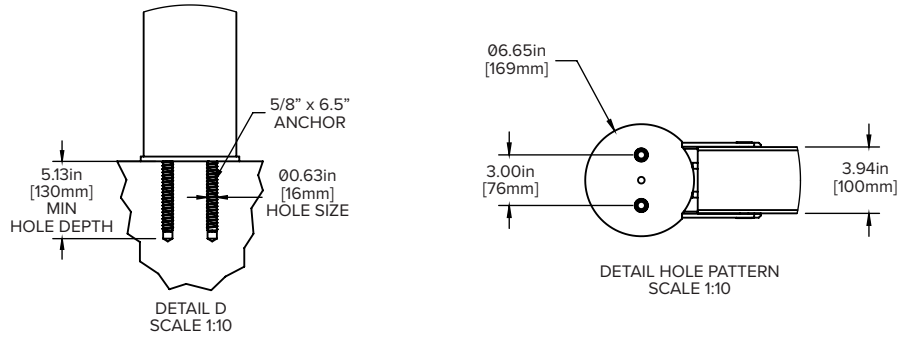
	Flammability	Does Not Easily Ignite
	REACH / TSCA / DSL	Compliant

* PATENTS PENDING

SAFESTOP PEDESTRIAN WITH **GROUND BARRIER**

SafeStop Pedestrian with GroundBarrier

Hardware included.



* PATENTS PENDING