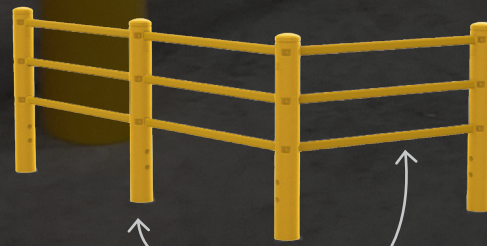




SAFESTOP PEDESTRIAN BARRIER

**INNOVATIVE GUARD
RAILS KEEP YOUR
PEOPLE SAFE**



Strong uprights and flexible rails provide ultimate stopping power

THE MCCUE DIFFERENCE

HI, WE'RE MCCUE & WE MAKE SAFETY EASY!

Our innovative, impact-tested barriers safely stop fast-moving material handling vehicles — protecting your people and your facility. With engineered materials that work together, we're revolutionizing safety barrier innovation with these three principles:



SAFER IMPACTS

Strong, floor-mounted rail designed to bring heavy trucks to a stop.



SHOCK ABSORPTION

Absorbs impacts — with limited deflection — to keep your people safe.



EASY INSTALL

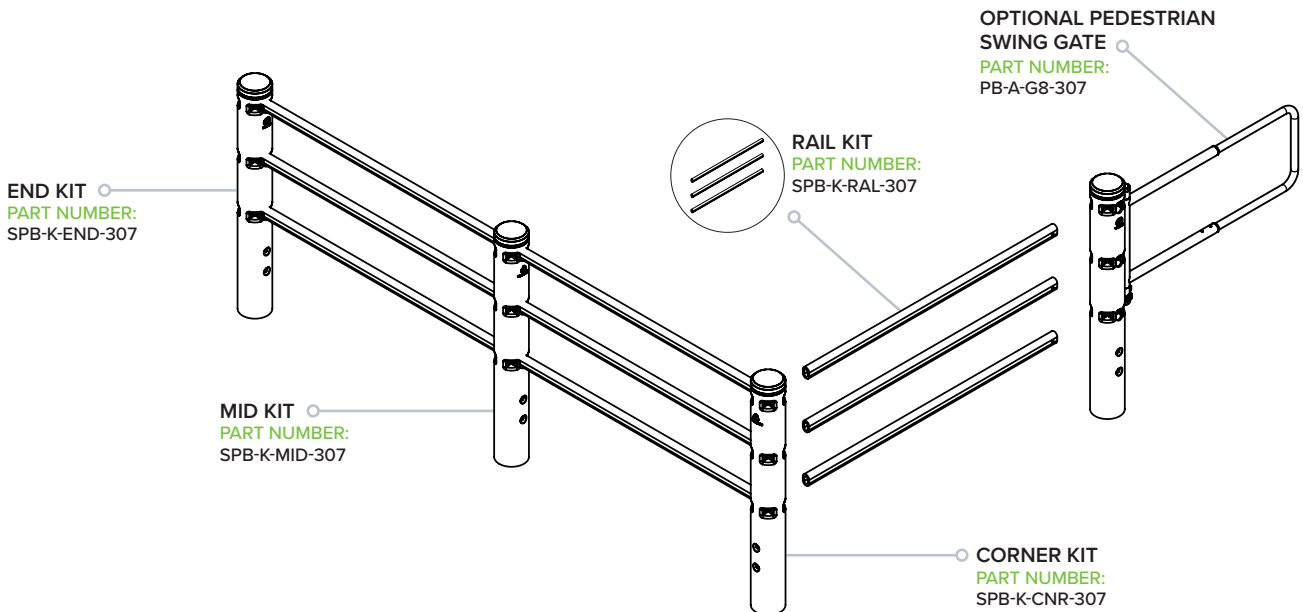
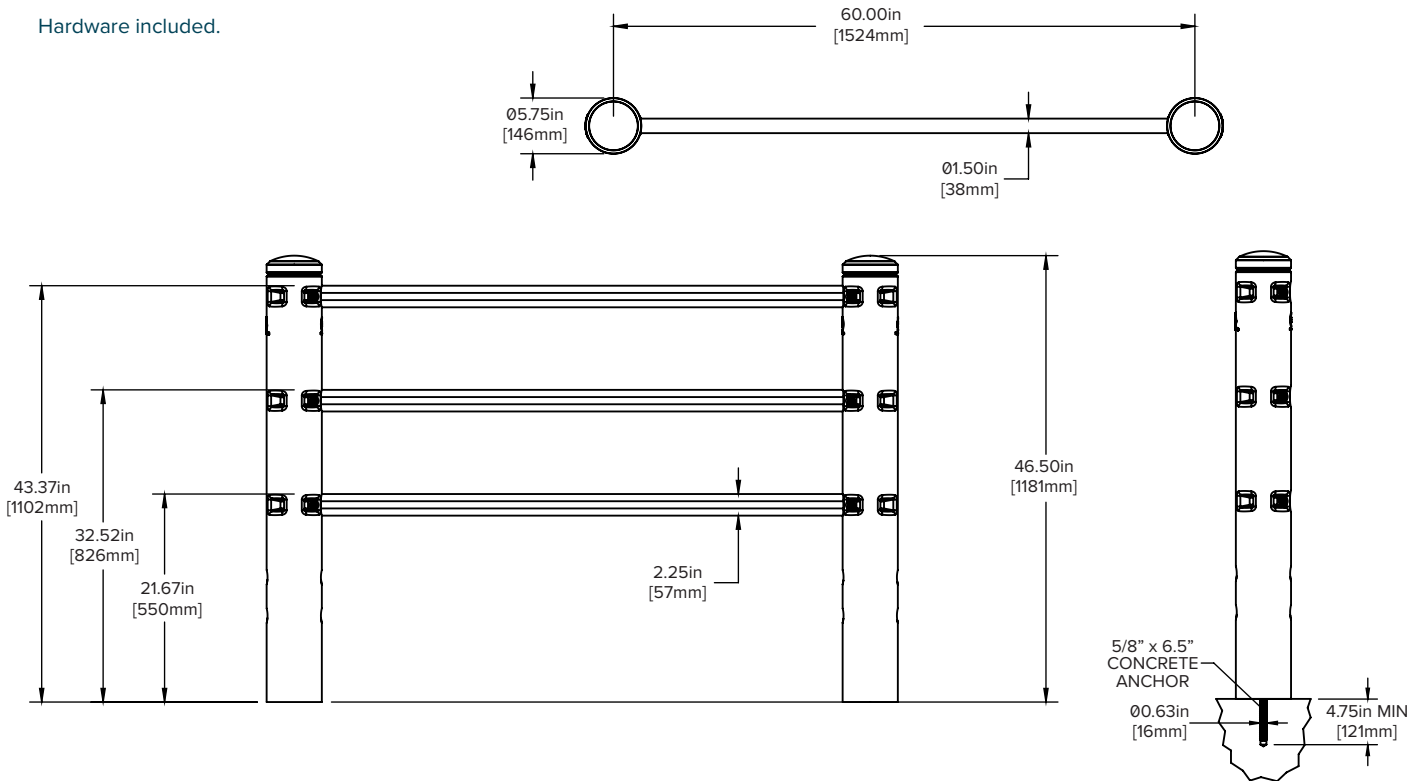
Simple install with standard hardware and tools.

KEEP YOUR OPERATIONS SAFE AND YOUR WORKFORCE SAFER WITH THE WORLD'S MOST ADVANCED SAFETY BARRIERS — SPEAK TO A SAFETY SPECIALIST TODAY (800) 800-8503

SAFESTOP PEDESTRIAN BARRIER

SafeStop PedestrianBarrier

Hardware included.



* PATENTS PENDING