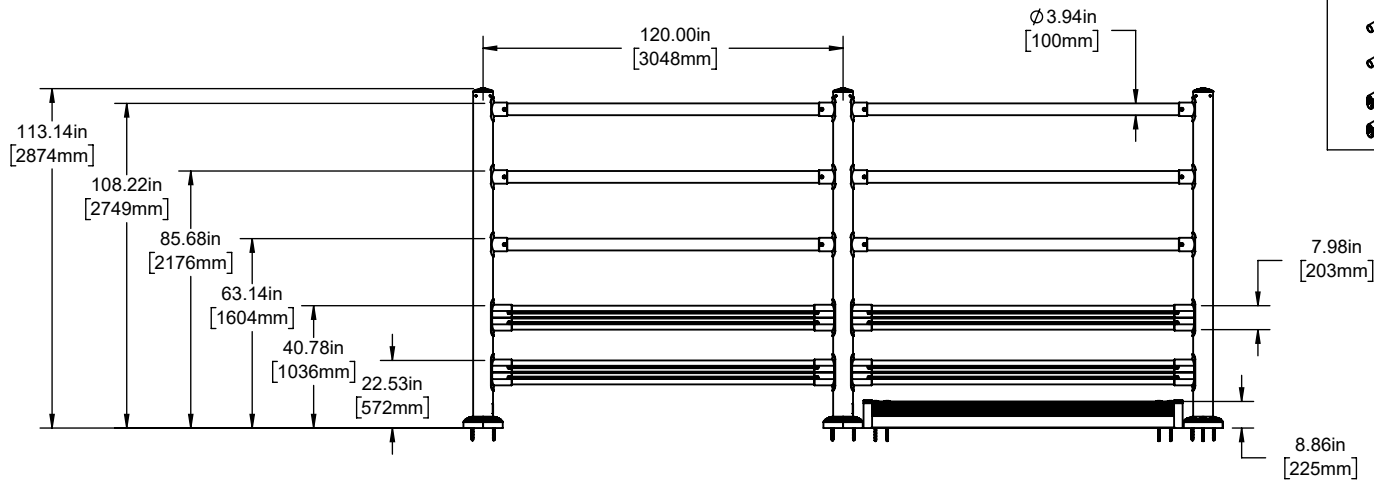
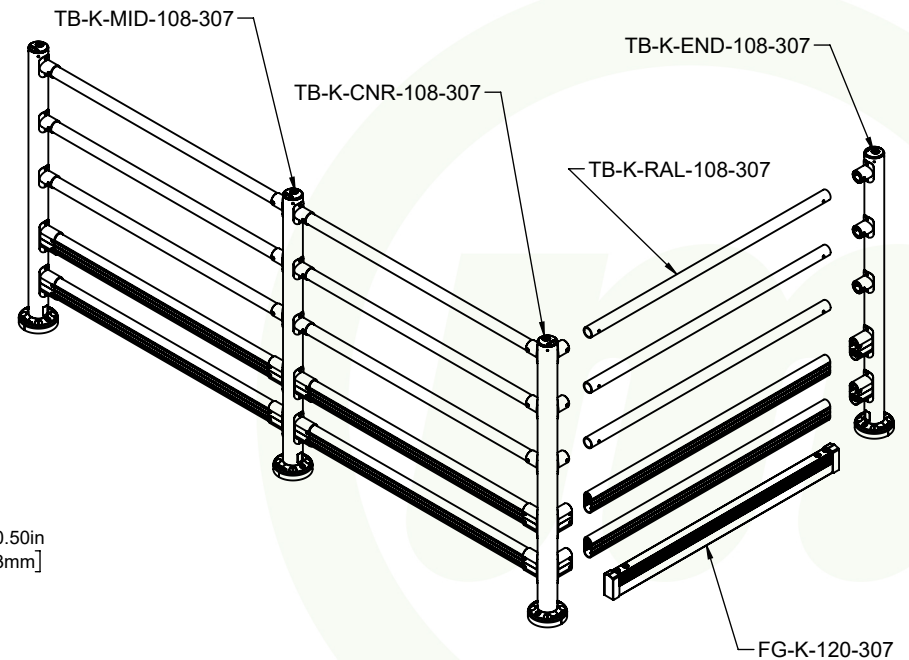


HOLEDDETAIL
SCALE 1 : 8



Pull tested to a load equivalent to 10,000 lb [4536 kg] leaning on the top rail.

PROPRIETARY-CONFIDENTIAL: This document contains information proprietary to McCue Corporation. This information is not to be used in any way, disclosed to others or reproduced, in whole or in part, except as expressly authorized in writing by McCue Corporation. Any reproduction of this document, in whole or in part, must include this notice.

Customer Drawing
SafeStop
Topple Barrier



McCue

McCue US
 (978) 741-8500
 CustomerCare@mccue.com

McCue UK
 +44 1908-365-511
 UKCServices@mccue.com

McCue China
 +86-592-2200 790
 ChinaOffice@mccue.com

mccue.com