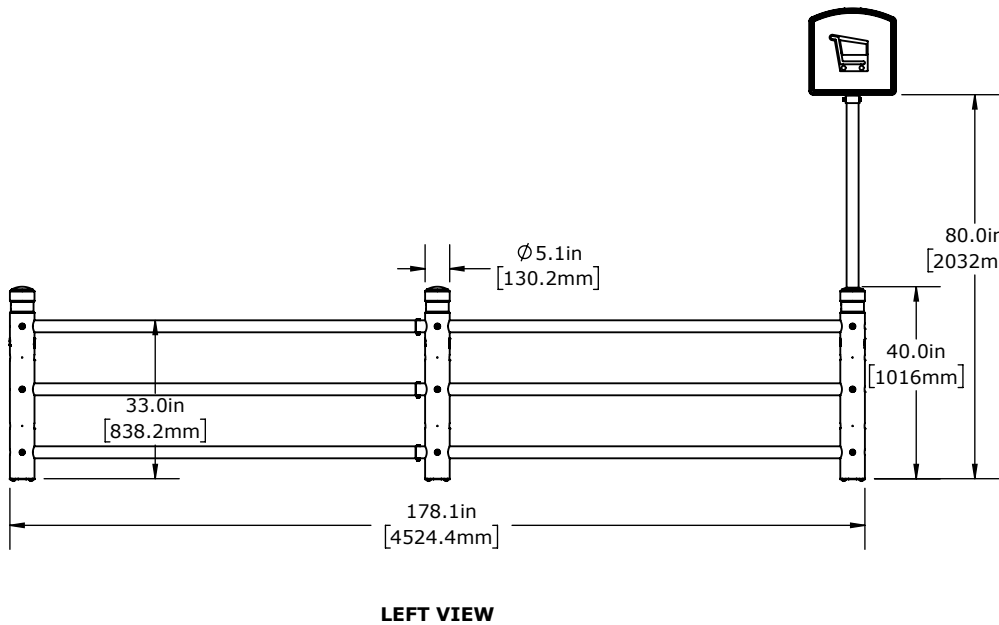
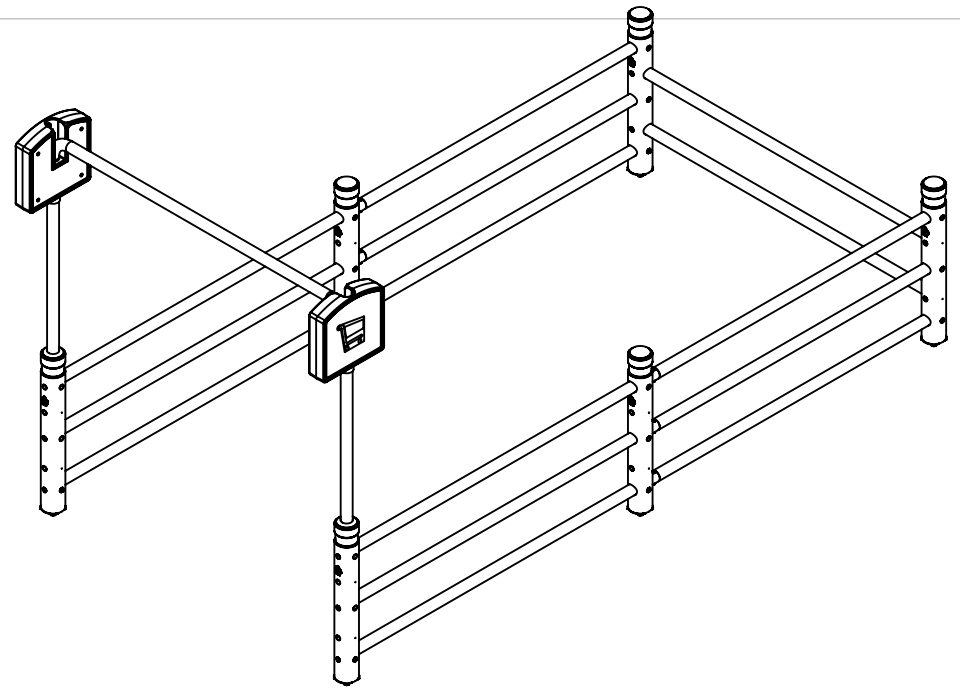
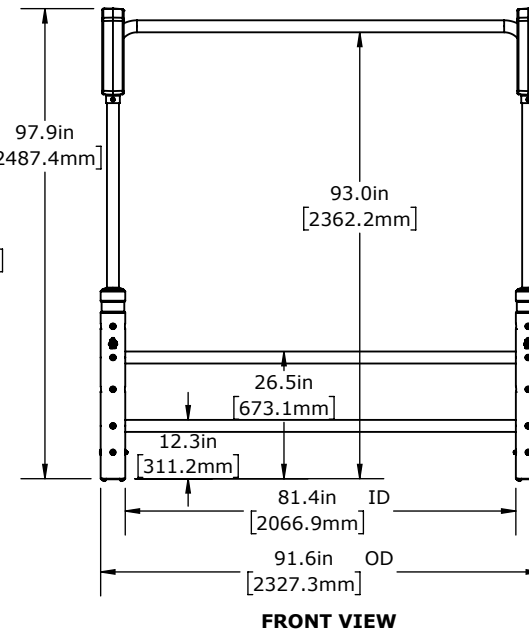


TOP VIEW



LEFT VIEW



FRONT VIEW

PROPRIETARY-CONFIDENTIAL: This document contains information proprietary to McCue Corporation. This information is not to be used in any way, disclosed to others or reproduced, in whole or in part, except as expressly authorized in writing by McCue Corporation. Any reproduction of this document, in whole or in part, must include this notice.

APPROXIMATE WEIGHT IS 287 LBS

SCALE 1:40

**Bollard CartMagnet
BCM-3S-401
Customer Drawing**



Peabody, MA 01960, USA
+1 (800) 800 8503
customer care@mccue.com

Milton Keynes, United Kingdom
+44 (0)1908 365 511
uksales@mccue.com

Xiamen, Fujian, China
+86-592-2200790

mccue.com   