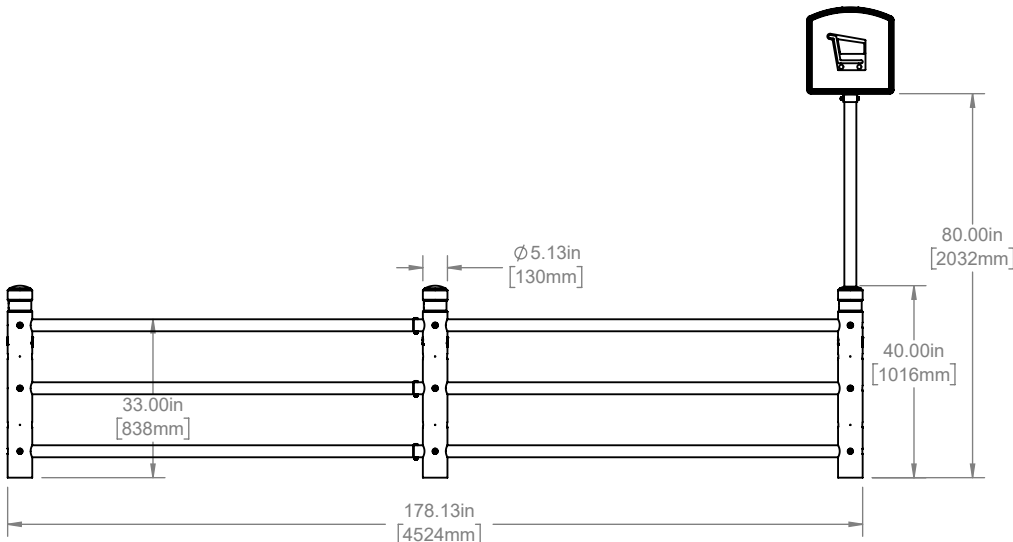
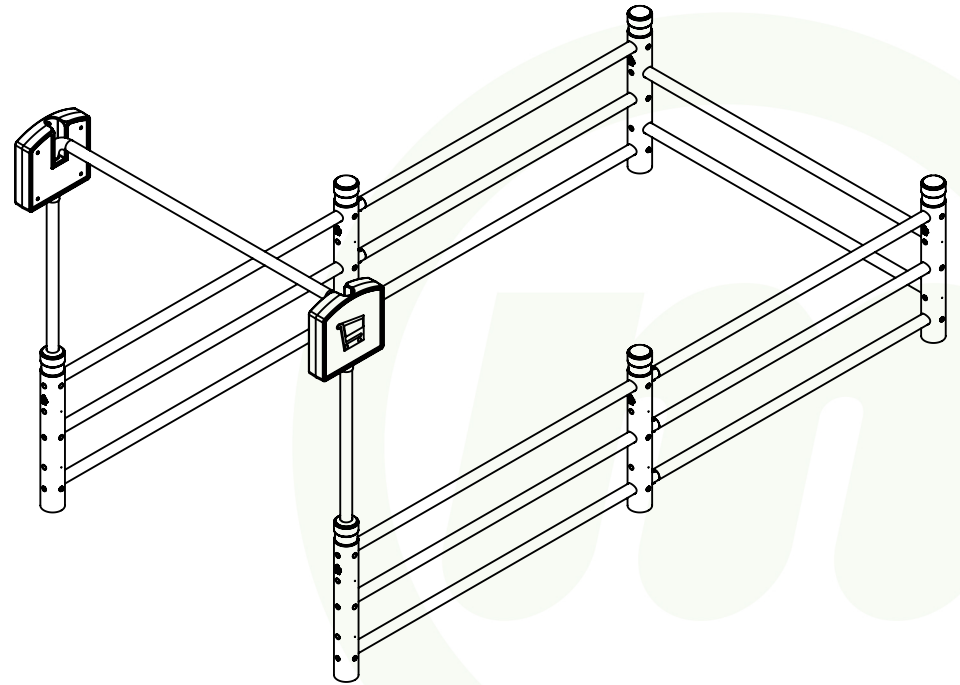
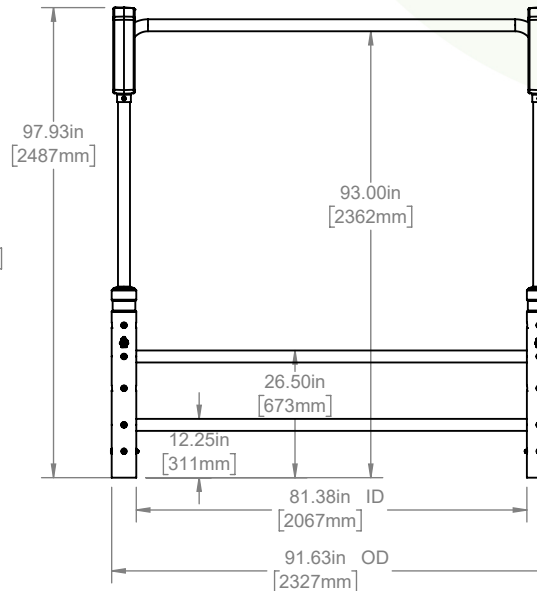


TOP VIEW



LEFT VIEW



FRONT VIEW

APPROXIMATE WEIGHT IS 308 LBS

SCALE 1:40

Customer Drawing
Bollard CartMagnet
 BCM3-BM-401



McCue US
 (978) 741-8500
 CustomerCare@mccue.com

McCue UK
 +44 1908-365-511
 UKCServices@mccue.com

McCue China
 +86-592-2200 790
 ChinaOffice@mccue.com

mccue.com

PROPRIETARY-CONFIDENTIAL: This document contains information proprietary to McCue Corporation. This information is not to be used in any way, disclosed to others or reproduced, in whole or in part, except as expressly authorized in writing by McCue Corporation. Any reproduction of this document, in whole or in part, must include this notice.