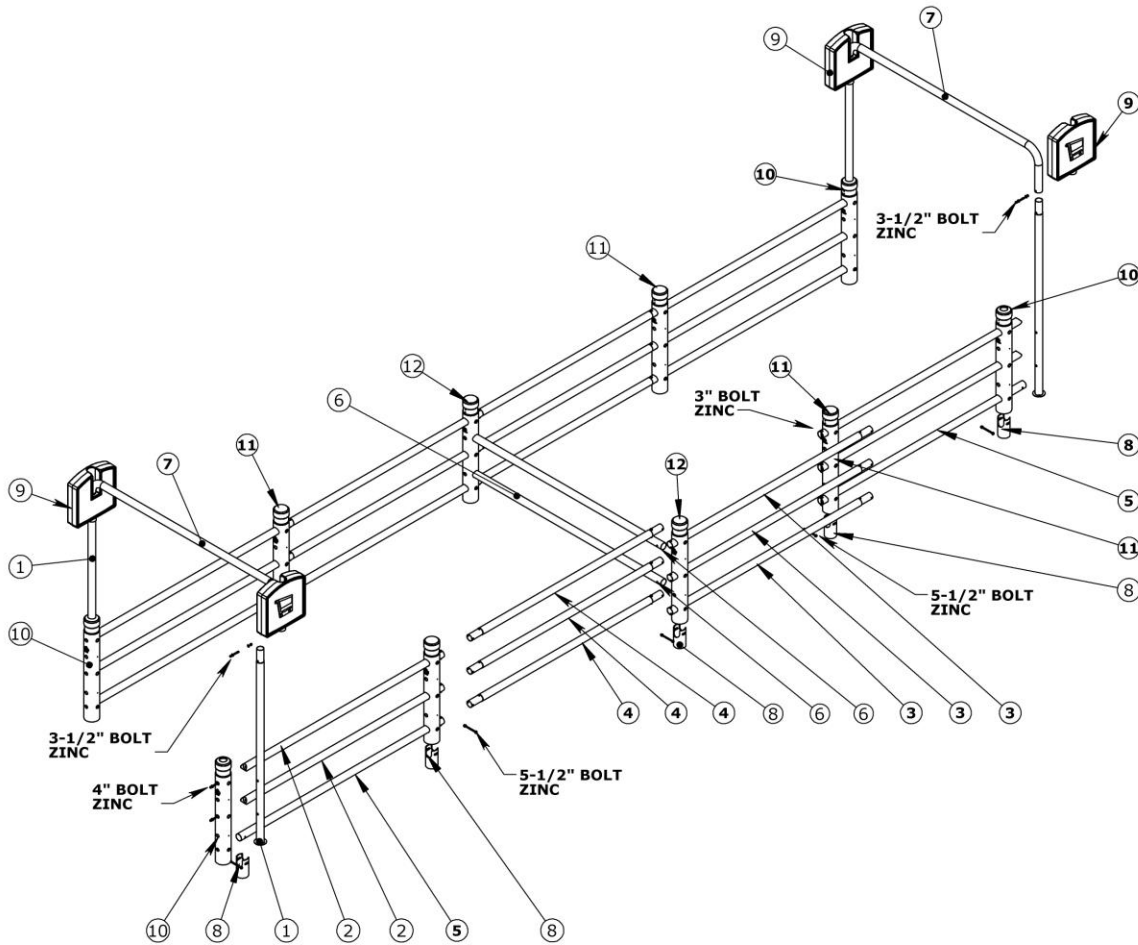


Bollard CartMagnet Open Unit - Double

INSTALLATION INSTRUCTIONS



BCM3-BB-BM-401 BOLLARD CARTMAGNET 3 WIDE, B2B, BM, BLACK (FEB 2016)			McCUE DWG'S	REV
1	4	2.5" OD TUBING, 76-7/16" LONG, FRONT UPRIGHT	BCMC-FRONT-UPRIGHT	A
2	8	2.5" OD TUBING, 91" LONG, FISH MOUTH FRONT RAIL WELDED-ASM WITH INTERNAL THREADED NUT	BCMC-FRONT-RAIL-ASM	A
3	6	2.5" OD TUBING, 91-1/2" LONG, B2B MID RAIL SWAGED (1)	BCMC-B2B-MIDRAIL	A
4	6	2.5" OD TUBING, 87-1/2" LONG, MID EXTENDER SWAGED (2)	BCMC-B2B-EXTENDER	A
5	4	2.5" OD TUBING, 92-11/16" LONG, BOTTOM FRONT RAIL	BCMC-FRONT-BOTT-RAIL	A
6	2	2.5" OD TUBING, 89-13/16" LONG, STOPBAR 3W 86-1/2" C-C	BCMC-STOPBAR3	A
7	2	2.5" OD TUBING, 89" X 17" TALL, FRONT CROSSBAR 3W 86-1/2" C-C	BCMC-FRONT-CBAR3	B
8	10	INTERNAL STEEL CUP, 7.0" TALL X 4" OD	BCMC-INTCUP	A
9	4	(BM) PLASTIC SIGN 18"L X 18"H X 4.5" WIDE, HDPE	BCMC-SIGN-BM-401	A
10	4	(BM) FRONT PLASTIC BOLLARD WITH TOP HOLE FOR UPRIGHT	BCMC-FRONT-SHELL-BM-401	B
11	4	(BM) MIDDLE PLASTIC BOLLARD	BCMC-MID-SHELL-BM-401	B
12	2	(BM) T B2B PLASTIC BOLLARD	BCMC-B2B-T-SHELL-BM-401	B
HARDWARE				
24		3/8-16 X 4" LONG HEX HEAD BOLT, ZINC	BCMC-BB-HARDWARE	
10		3/8-16 X 5-1/2" LONG HEX HEAD BOLT, ZINC		
18		3/8-16 X 3" LONG HEX HEAD BOLT, ZINC		
4		3/8-16 X 3-1/2" LONG HEX HEAD BOLT, ZINC		
48		3/8-16 NYLON INSERT HEX FLANGE LOCK NUTS, ZINC 7/16 H		
104		3/8 FLAT WASHER, (ID 0.40, OD 3/4" X THICKNESS OF 1/16"), ZINC		
STEEL CUP HARDWARE AND EPOXY				
10		3/4-10 X 10" LONG THREADED ROD, ZINC		
10		3/4-10 NYLON LOCK NUTS, ZINC		
10		3/4" ID FLAT WASHER, ZINC		
4		SIMPSON STRONG TIE 10 OZ TUBE, NOZZLE AND ADAPTER	CS-FASTPACK-KIT	
REV 02/12/2016				

Questions? Call McCue Customer Care at 800.800.8503

mccue.com

The following installation instructions are provided for guidance only. The seller assumes no liability regarding the improper installation or misapplication of its products. It is the installer's responsibility to check for proper installation and if in doubt, contact your Customer Care representative for assistance. ©2014 McCue Corporation, 13 Centennial Drive Peabody, MA 01960, USA.



BCM3-BB-BM-401 COMPONENT CHEKLIST

QTY ☑	PART NO.		QTY ☑	PART NO.	
4 ☐	BCM3-FRONT-SHELL-BM-401		2 ☐	BCM3-B2B-T-SHELL-BM-401	
4 ☐	BCM3-MID-SHELL-BM-401		4 ☐	BCM3-SIGN-BM-401	

STEEL COMPONENTS

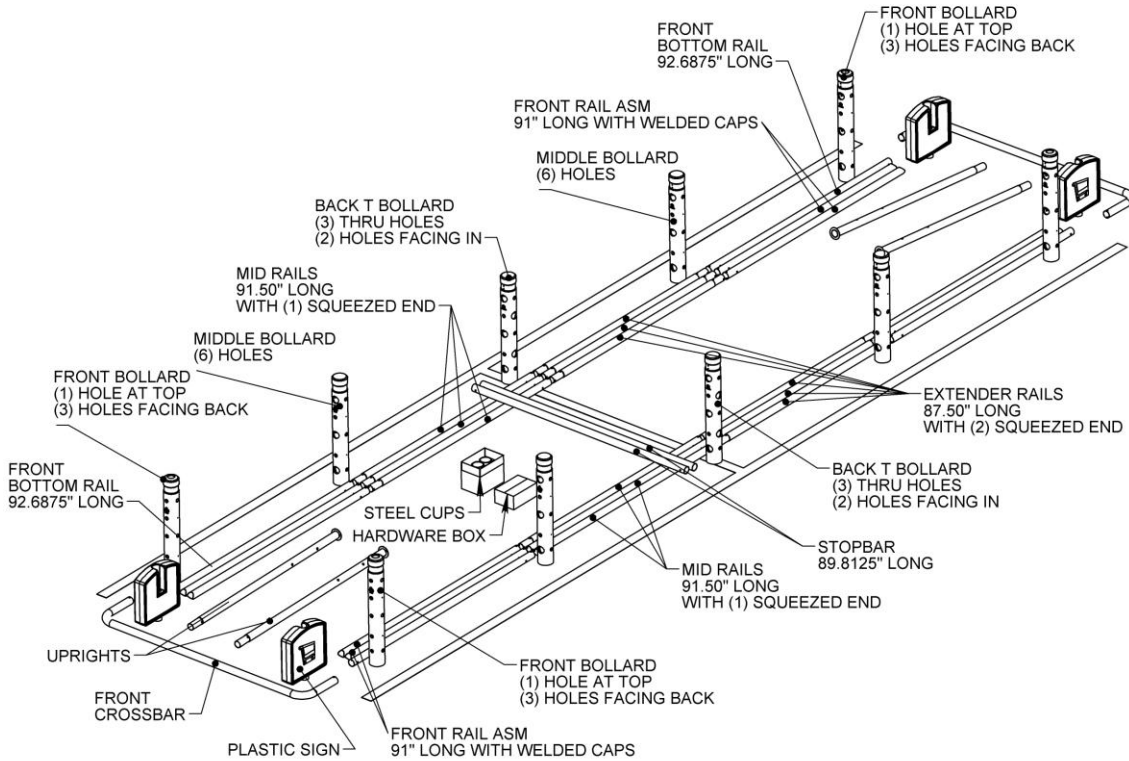
QTY ☑	PART NO.		
10 ☐	BCM3-INTCUP		
8 ☐	BCM3-FRONT-RAIL-ASM		
4 ☐	BCM3-FRONT-UPRIGHT		
6 ☐	BCM3-B2B-MID-RAIL		
6 ☐	BCM3-B2B-EXTENDER		
2 ☐	BCM3-STOPBAR		
4 ☐	BCM3-FRONT-BOTT-RAIL		
2 ☐	BCM3-FRONT-CBAR3		

Bollard CartMagnet Open Unit - Double



1 Layout of Components

Remove all parts from packaging and layout out components in the parking space as shown. The total number of components should match to the Bill Of Materials. If any components are missing do not attempt to install unit.



5-1/2" BOLT ASSEMBLY	
$\frac{3}{8}$ "-16 X 5-1/2" HEX HEAD BOLT	$\frac{3}{8}$ "-16 NYLON LOCK NUT $\frac{3}{4}$ " OD X $\frac{3}{8}$ " ID FLAT WASHER
4" BOLT ASSEMBLY	
$\frac{3}{8}$ "-16 X 4" HEX HEAD BOLT	$\frac{3}{8}$ "-16 NYLON LOCK NUT $\frac{3}{4}$ " OD X $\frac{3}{8}$ " ID FLAT WASHER
3-1/2" BOLT ASSEMBLY	
$\frac{3}{8}$ "-16 X 3-1/2" HEX HEAD BOLT	$\frac{3}{8}$ "-16 NYLON LOCK NUT $\frac{3}{4}$ " OD X $\frac{3}{8}$ " ID FLAT WASHER
3" BOLT ASSEMBLY	
$\frac{3}{8}$ "-16 X 3" HEX HEAD BOLT	$\frac{3}{8}$ "-16 NYLON LOCK NUT $\frac{3}{4}$ " OD X $\frac{3}{8}$ " ID FLAT WASHER

Tools Required:

- Gloves
- 9/16" Socket wrench
- Cordless Impact Driver with 9/16" Socket
- 3/8" Diameter Drill Bit (if needed)
- 3/8" Nut Driver for Self-Drilling Screws



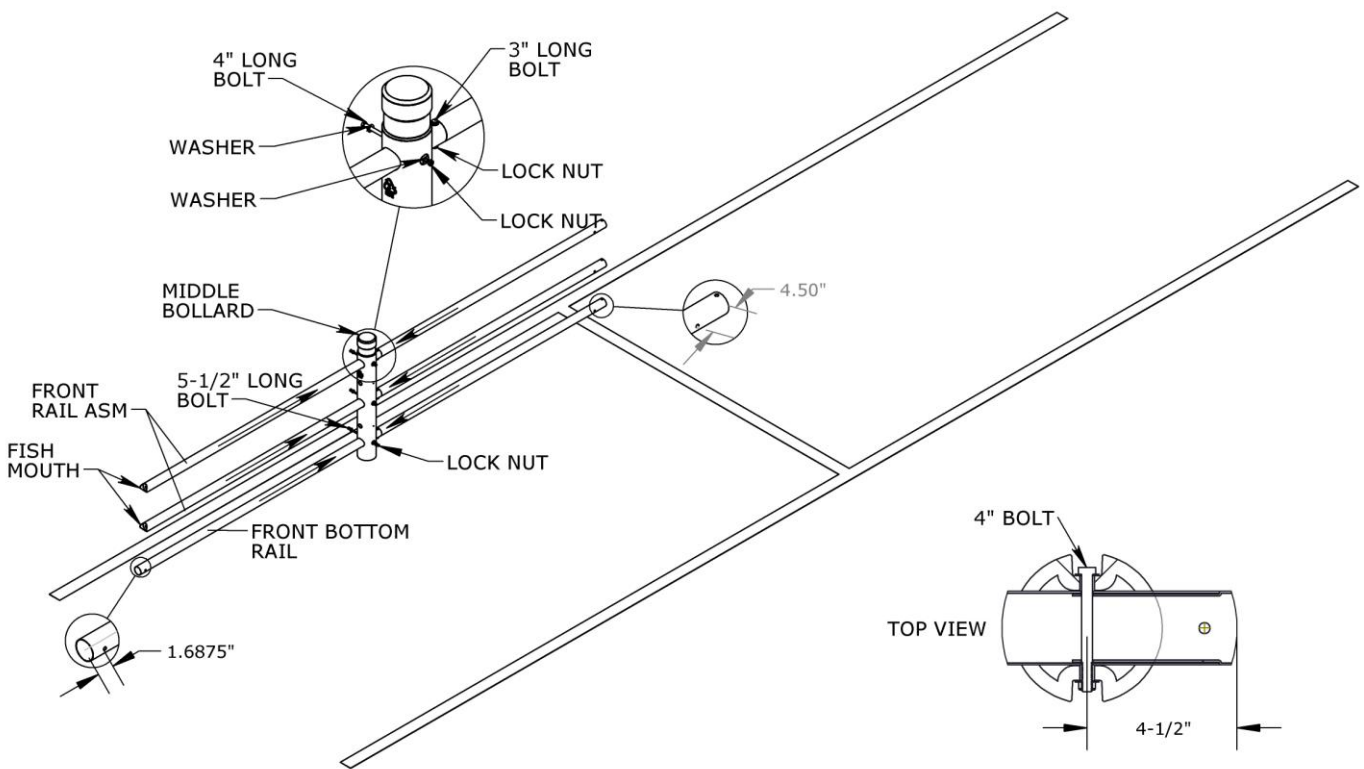
2 Assemble Rails into Middle Plastic Bollard

Slide (2) Front Rail Asm with fish mouth into the thru holes of the middle bollard. Holes located 4-1/2" away from the ends of the rails should be aligned with plastic bollard holes. Slide the squeezed ends of the (2) mid rails into the open end of the front rails until bottoms out. Align all holes as shown in detail below.

Rail to Rail: Secure each horizontal railing (front rails connected with mid rails) outside of the plastic bollard using (1) 3" Bolt Assembly.

Rail to Plastic Bollard: Secure rails to plastic bollard by aligning the holes and securing each hole on the plastic bollards with (1) 4" Bolt Assembly.

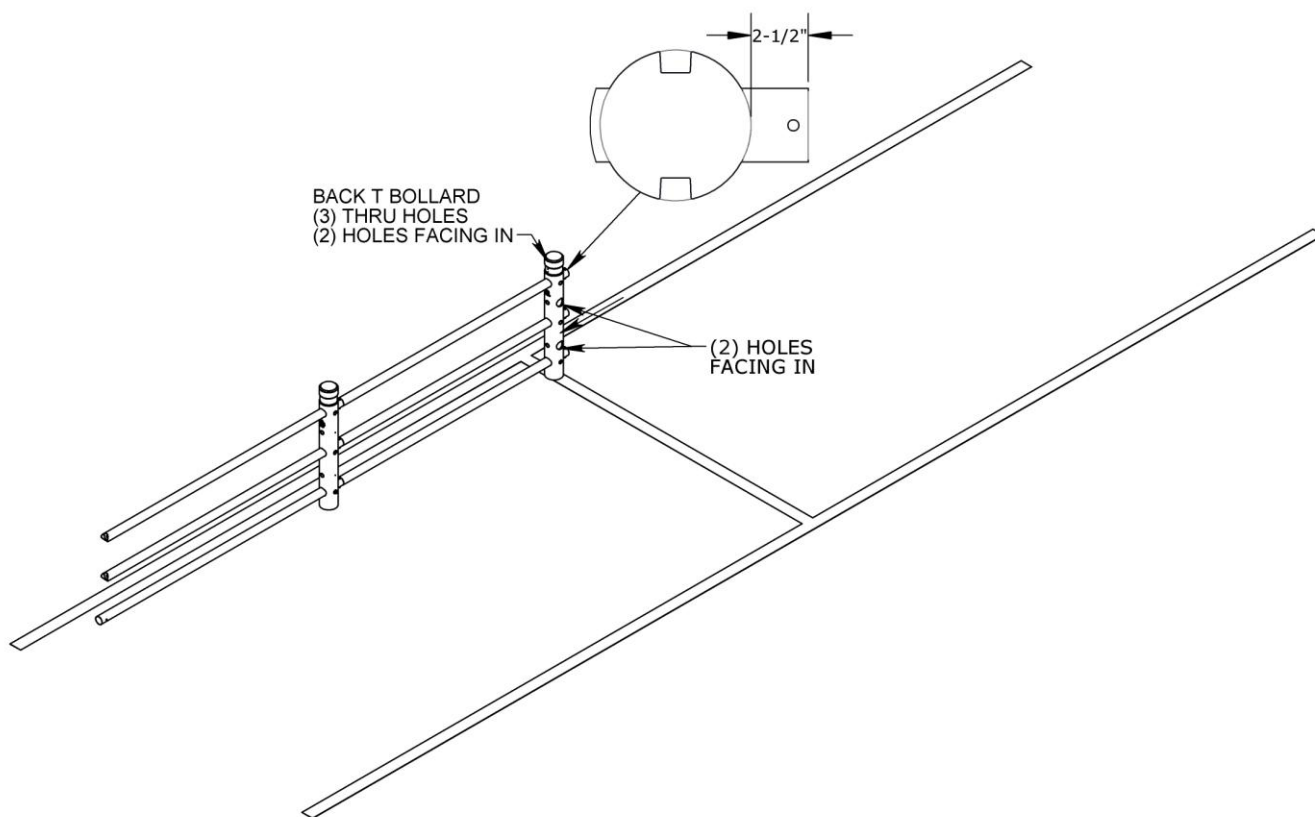
NOTE: At this stage, 5-1/2" bolts should be tightened only by hand. All 5-1/2" bolts will be removed and re-tightened in step 21 to ensure all components are fully fixed. All 3" and 4" bolt assemblies should be fully tightened.



Bollard CartMagnet Open Unit - Double



- 3 | **Slide Back T plastic bollards**
Slide Back T plastic bollard into the mid rails so that the tubes protrude 2-1/2" outside of bollard.



Bollard CartMagnet Open Unit - Double

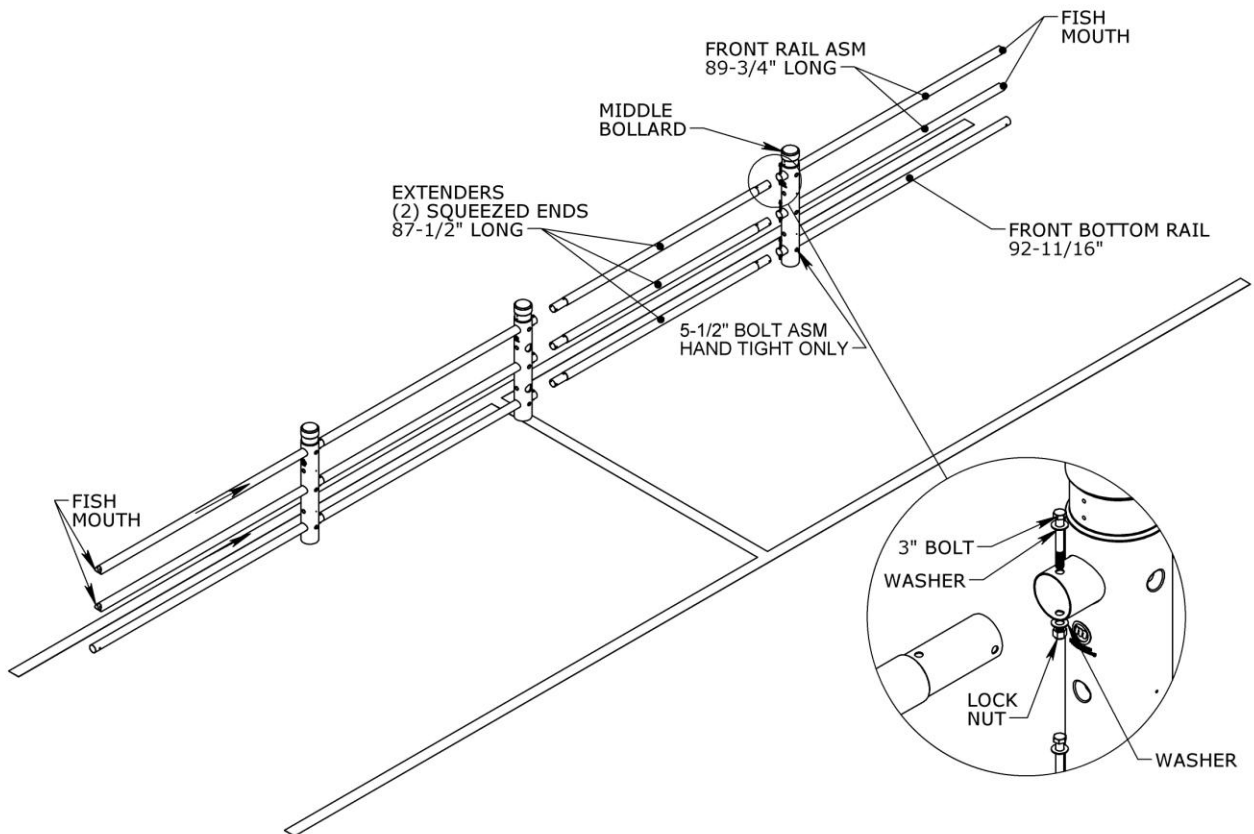


4 Build other half front of unit

Slide (2) Front Rail Asm and (1) Front Bottom rail into the thru holes of the middle bollard. Holes located 4-1/2" away from the ends of the rails should be aligned with plastic bollard holes. Slide the squeezed ends of the (3) extender rails into the open end of the front rails until bottoms out. Align all holes as shown in detail below.

Rail to Rail: Secure each horizontal railing (front rails connected with extender rails) outside of the plastic bollard using (1) 3" Bolt Assembly.

Rail to Plastic Bollard: Secure rails to plastic bollard by aligning the holes and securing each hole on the plastic bollards with (1) 4" Bolt Assembly for the top two rails. Secure bottom rail to plastic bollard with (1) 5-1/2" Bolt Assembly, tightening only by hand.



Bollard CartMagnet Open Unit - Double

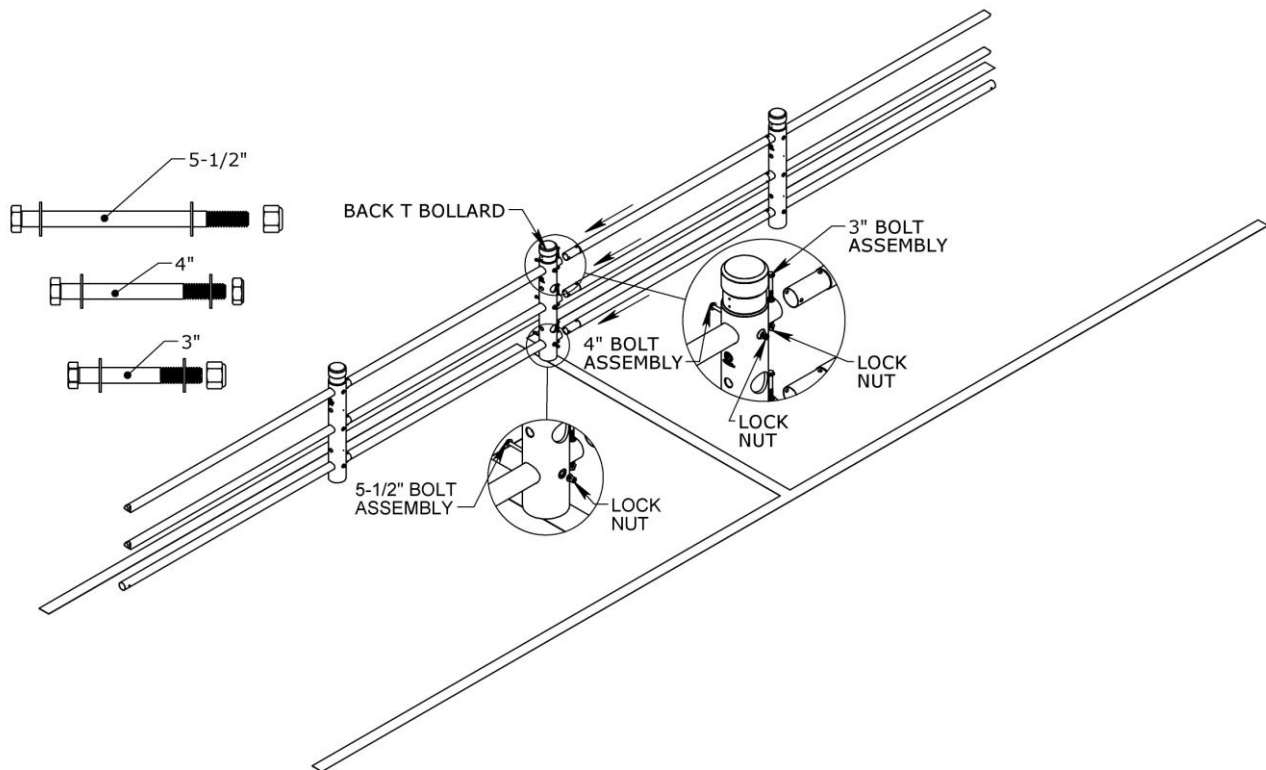


5 Secure other front half to back T bollard

Slide squeezed end of extender rails into the three open ends of the mid rails until bottoms out. Align all holes as shown in detail below.

Rail to Rail: Secure each horizontal railing (extender rails connected with mid rails) outside of the plastic bollard using (1) 3" Bolt Assembly.

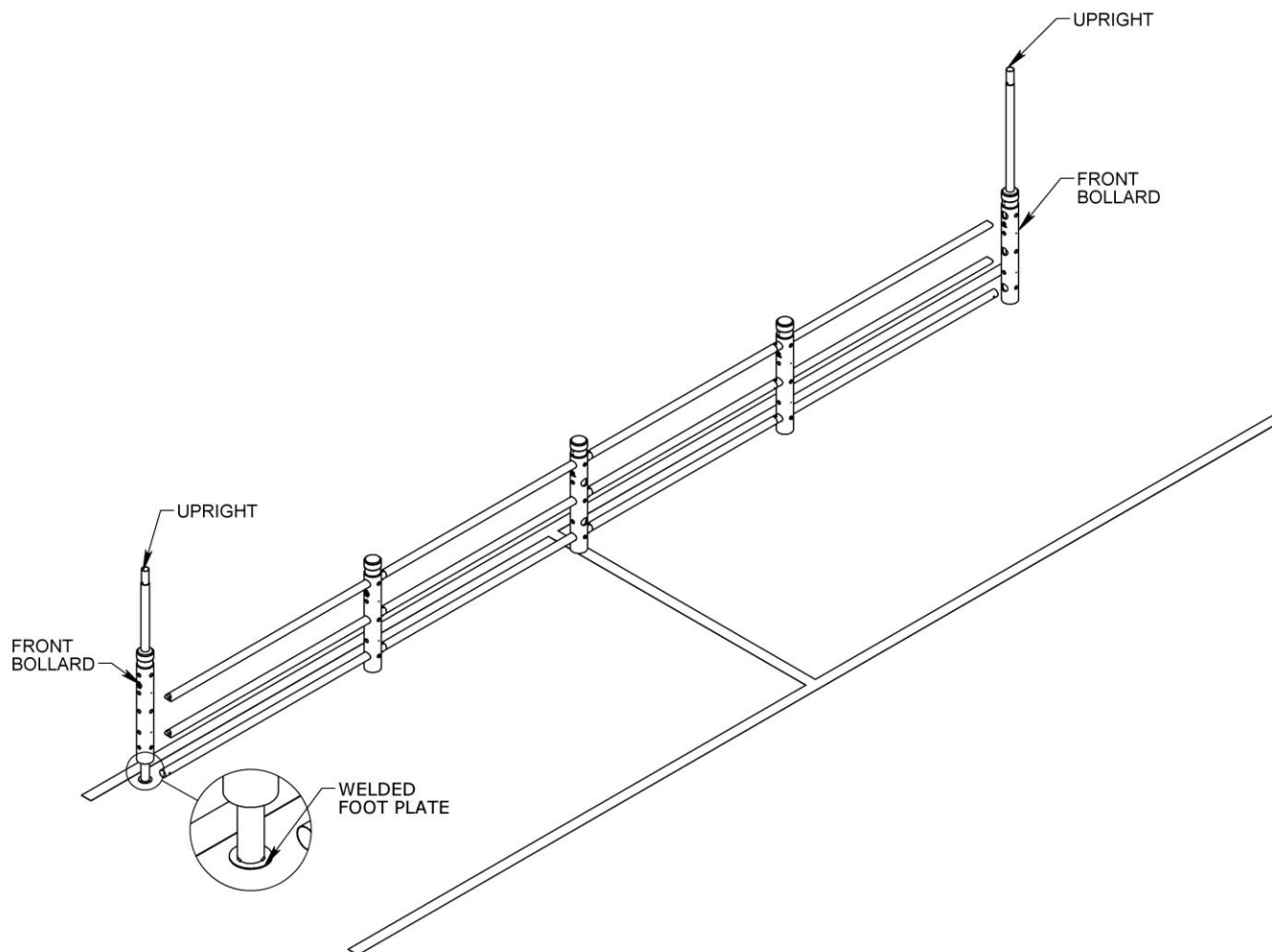
Rail to back T plastic Bollard: Secure rails to plastic bollard by aligning the holes and securing each hole on the plastic bollards with (1) 4" Bolt Assembly, for the top two. Secure bottom rail to plastic bollard with (1) 5-1/2" Bolt Assembly, tightening only by hand.



Bollard CartMagnet Open Unit - Double



- 6 **Slide Front Upright into Front plastic bollards**
Slide Upright up into the Front plastic Bollard so that the bottom welded foot plate is raised 7" inside the part. Please repeat to both sides of unit.



Bollard CartMagnet Open Unit - Double



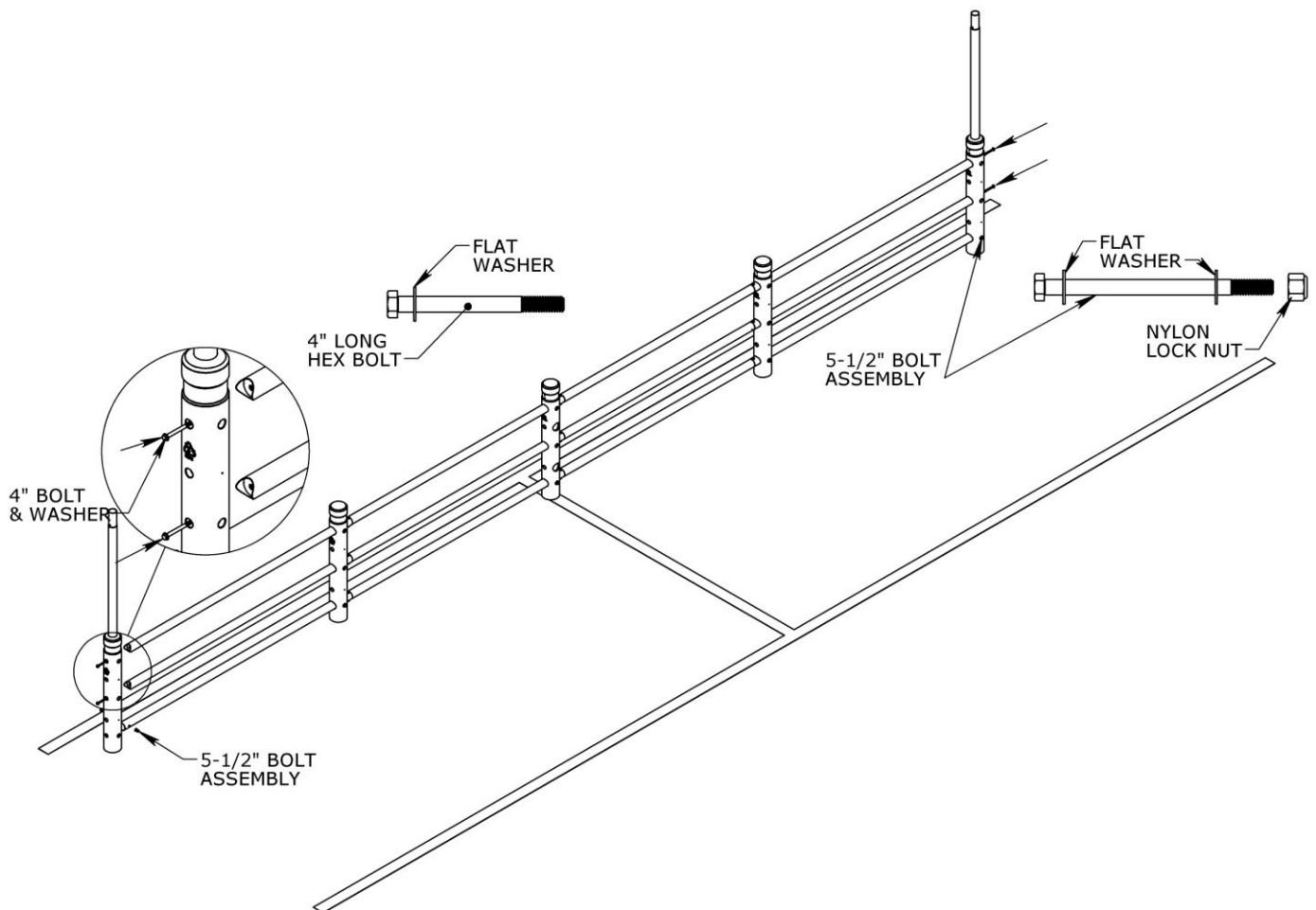
7

Secure front bollards to front rails

Slide front bollard with upright onto the three open ends of the front rails. Ensure that the bottom welded plate on the upright is raised above the height of the bottom rail.

Secure front bollard to each of the two upper Front Rail Asm using (1) 4" Hex bolt and (1) $\frac{3}{8}$ " ID x $\frac{3}{4}$ " OD flat washer per rail.

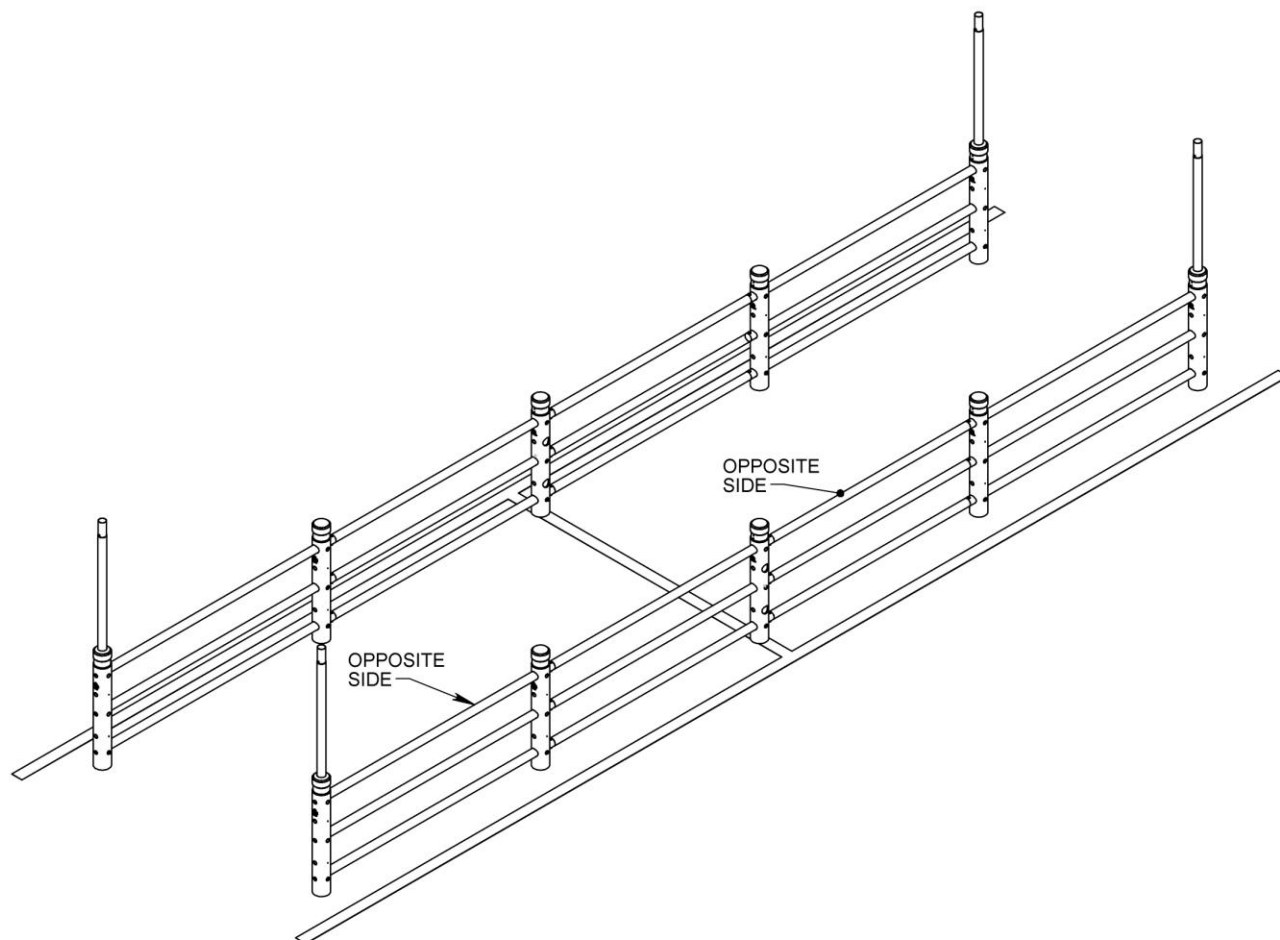
Secure the front bottom rail to the bottom of the front plastic bollard with (1) 5-1/2" Bolt Assembly. Hand tighten only.



Bollard CartMagnet Open Unit - Double



8 | Repeat step 02 Through 7 for opposite side.



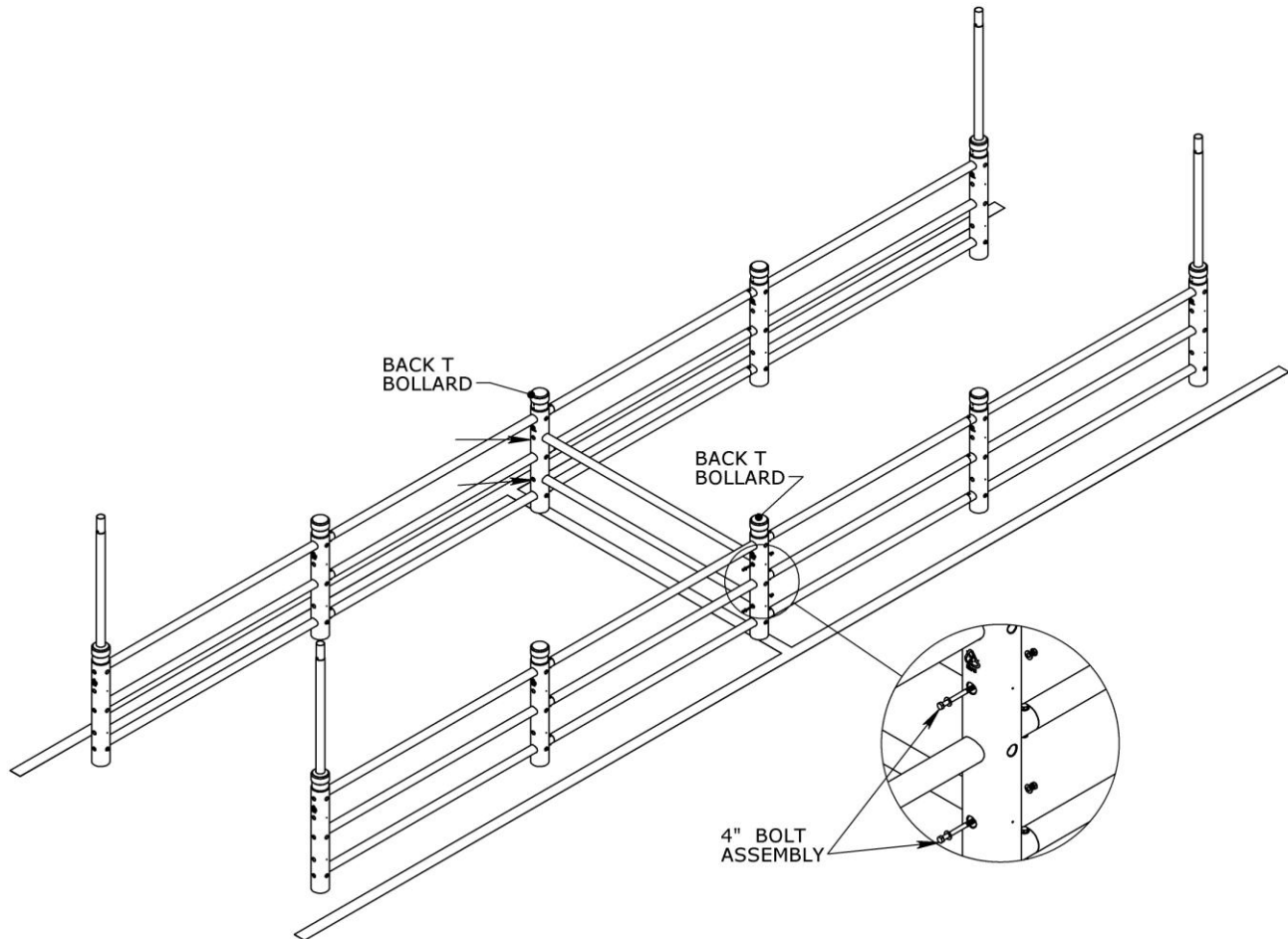
Bollard CartMagnet Open Unit - Double



9

Secure Stopbars to back left and right T bollards

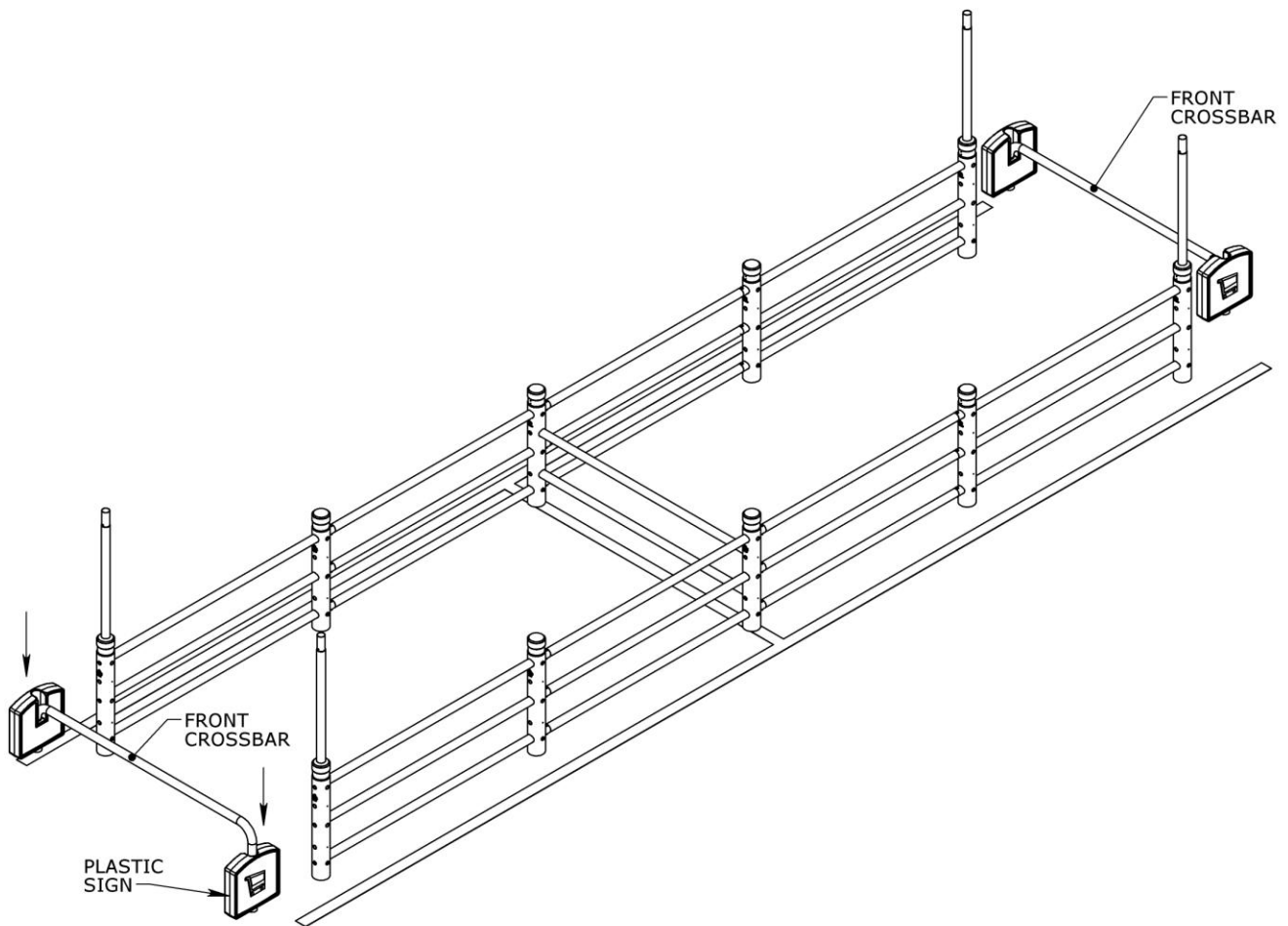
Slide open ends of Stopbars into the back left and back right T bollards. Align holes on stopbar with plastic bollard holes and secure each end with (1) 4" Bolt Assembly. Note: A total of (4) bolt assemblies will be required.



Bollard CartMagnet Open Unit - Double



- 10 | **Slide Signs onto Crossbar**
Slide plastic signs onto crossbar making sure shopping cart logos are facing outside. Slide sign all the way up into plastic sign. Please repeat to both sides of unit.



Bollard CartMagnet Open Unit - Double

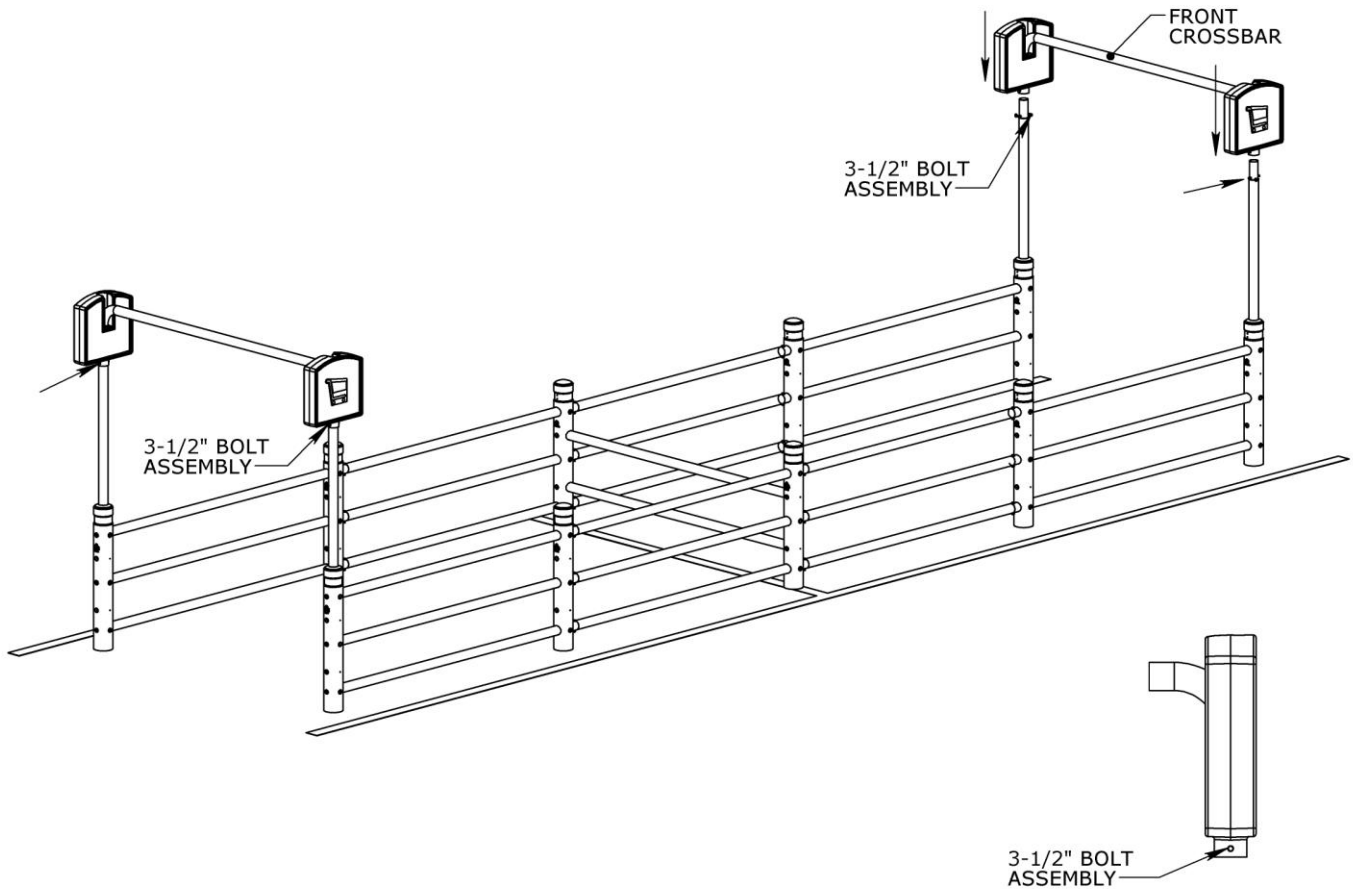


11

Attach Crossbar with Unsecured signs to front of unit

Lift crossbar with unsecured signs onto the front uprights. Locate Plastic Sign Plumb with unit: Using a level, make sure front uprights are vertical. Locate hole on plastic sign with hole on uprights and crossbar as shown in detail. Secure each sign to crossbar and uprights with (1) 3-1/2" bolt assembly using a wrench with a 9/16" socket. The bolt should be fully secured.

Note: Do not over tighten bolts and repeat to the other sign.

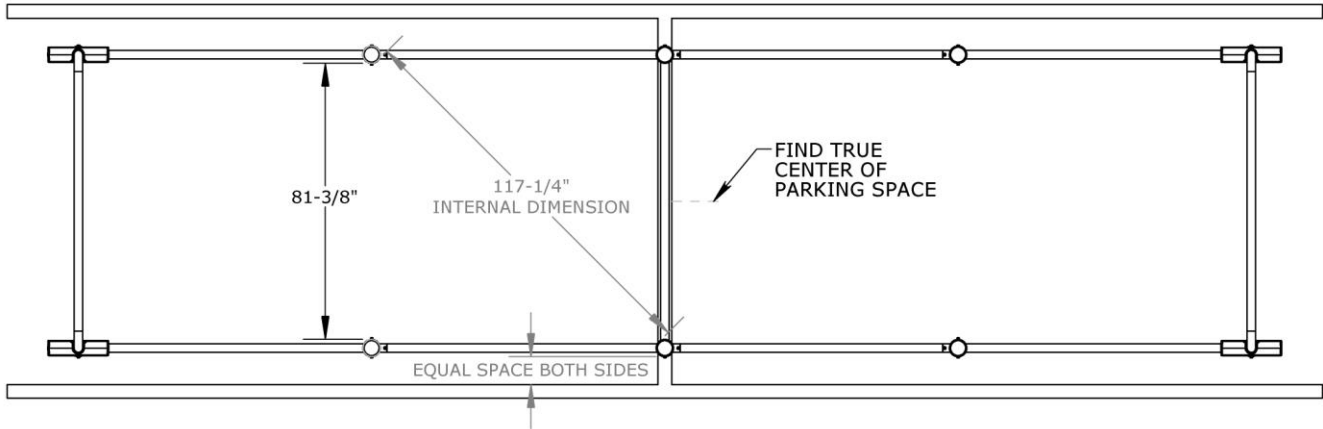




- 12 **Locate unit inside parking space**
Locate the back T bollard directly over center line of space, and split the width difference on the sides.

Square unit inside parking space

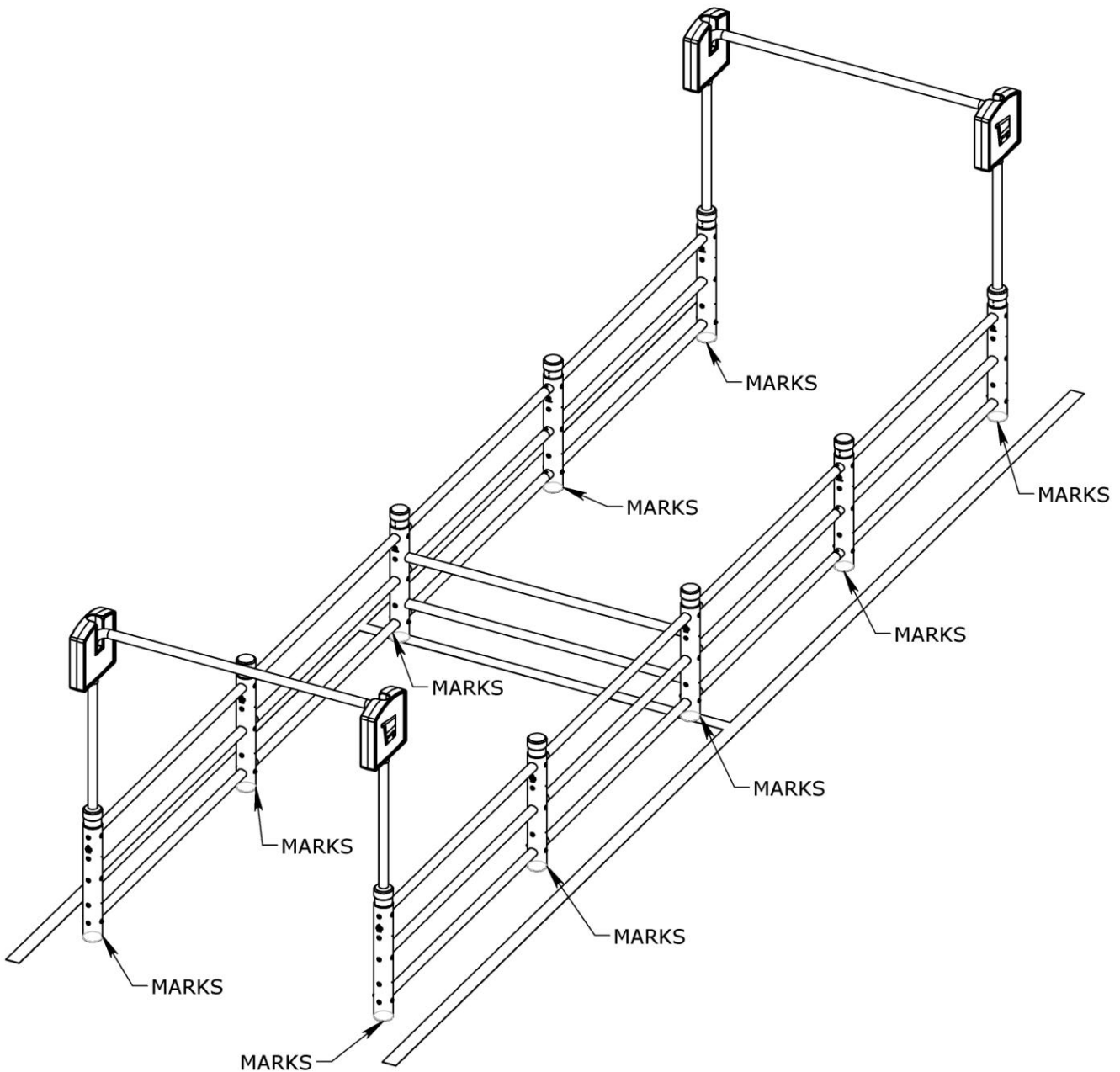
It's very important to square unit before the next step. Square unit by cross measuring and obtaining same measurements across inside to inside of bollards. Make sure that the 81-3/8" internal bottom dimension between bollards are the same across the front and the back. The internal diagonal dimension across bollards should be 117-1/4".



Bollard CartMagnet Open Unit - Double



- 13 **Mark Bollards on asphalt**
Trace bottom of each plastic bollard onto the asphalt with RoseArt Sidewalk chalk Non-Toxic 445, washable.





14

Move unit away from Marks

Shift entire unit away from marked holes. You may use the steel cup as a guide to find and mark the true center of each of the marks onto the asphalt.

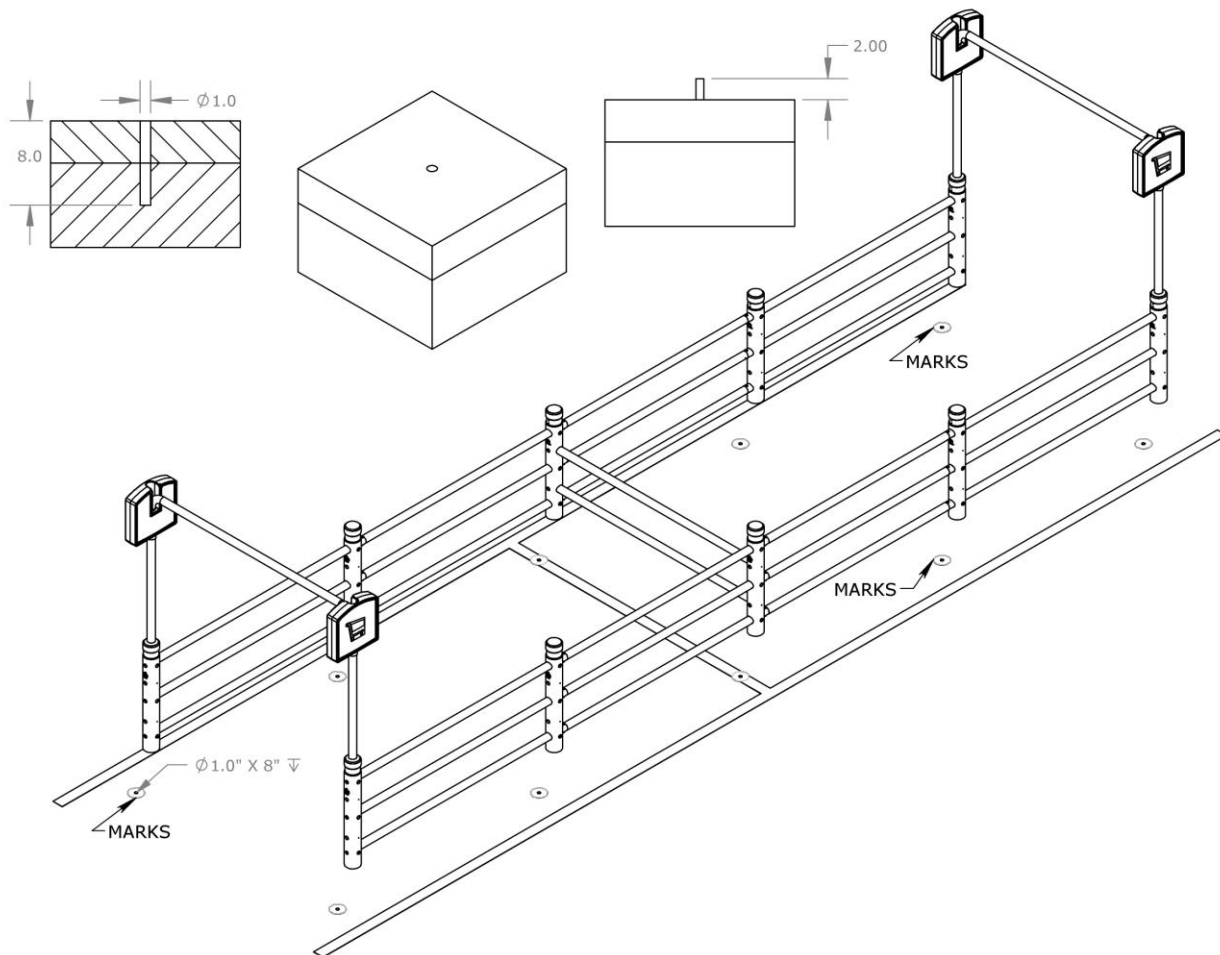
Drill 1" diameter holes and insert threaded rods into asphalt

Using an electric hammer drill with a 1" Diameter Carbide bit, drill holes 8" deep into the asphalt at each center mark. To remove all debris around holes, brush and vacuum each hole as necessary. Hole MUST be free of debris for epoxy to properly set. Before opening epoxy, check hole depth to ensure 8" deep.

Important: For installation of anchorage into water filled holes, see recommendation on epoxy manufacture.

It's important not to allow epoxy to expand or build onto the 2" exposed threads of rods above of the asphalt. It can be useful to tape off the top 2" of exposed threads prior to sliding into hole filled with epoxy to prevent this.

Dispense bead of epoxy off to side to assure proper mixing before dispensing. Fill each hole from bottom of hole. Fill each hole with 3.2 oz. epoxy, so that hole is 6" full or 3/4 full. One epoxy tube will be used for three holes. Immediately after dispensing epoxy into one hole, Insert 3/4-10 x 10" Threaded rod, turning clockwise until bottoming out in fixing hole. Note: Work one hole at a time.

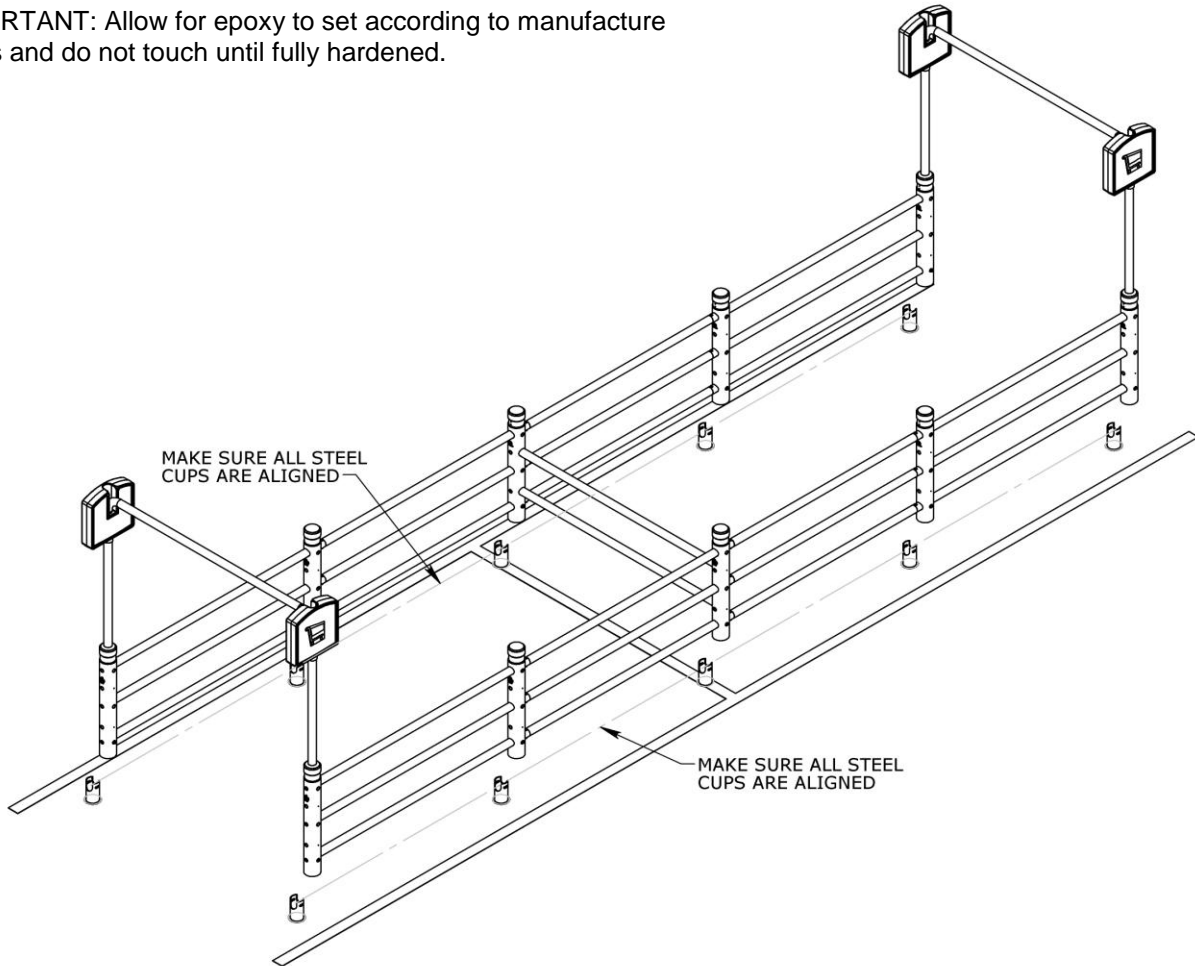




15 Locate steel cups over threaded rods

Clean away any over residue epoxy around hole and place steel cup over 3/4-10 threaded rod. Make sure top open ends of steel cups are all aligned with the length of parking space as shown by the dotted line.

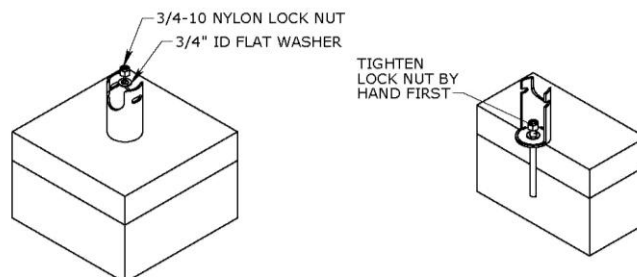
IMPORTANT: Allow for epoxy to set according to manufacture specs and do not touch until fully hardened.



16 Clean marks and secure steel cups

Slide 3/4" ID Flat washer and 3/4-10 nylon lock nut over threaded rod and Hand tighten lock nut. **IMPORTANT:** If the threaded rod spins during the tightening process, the hole will need to be drilled out and re-epoxy as described in step 16. Make sure each cup is strongly secured to threaded rod and that it can't be moved or twisted by hand.

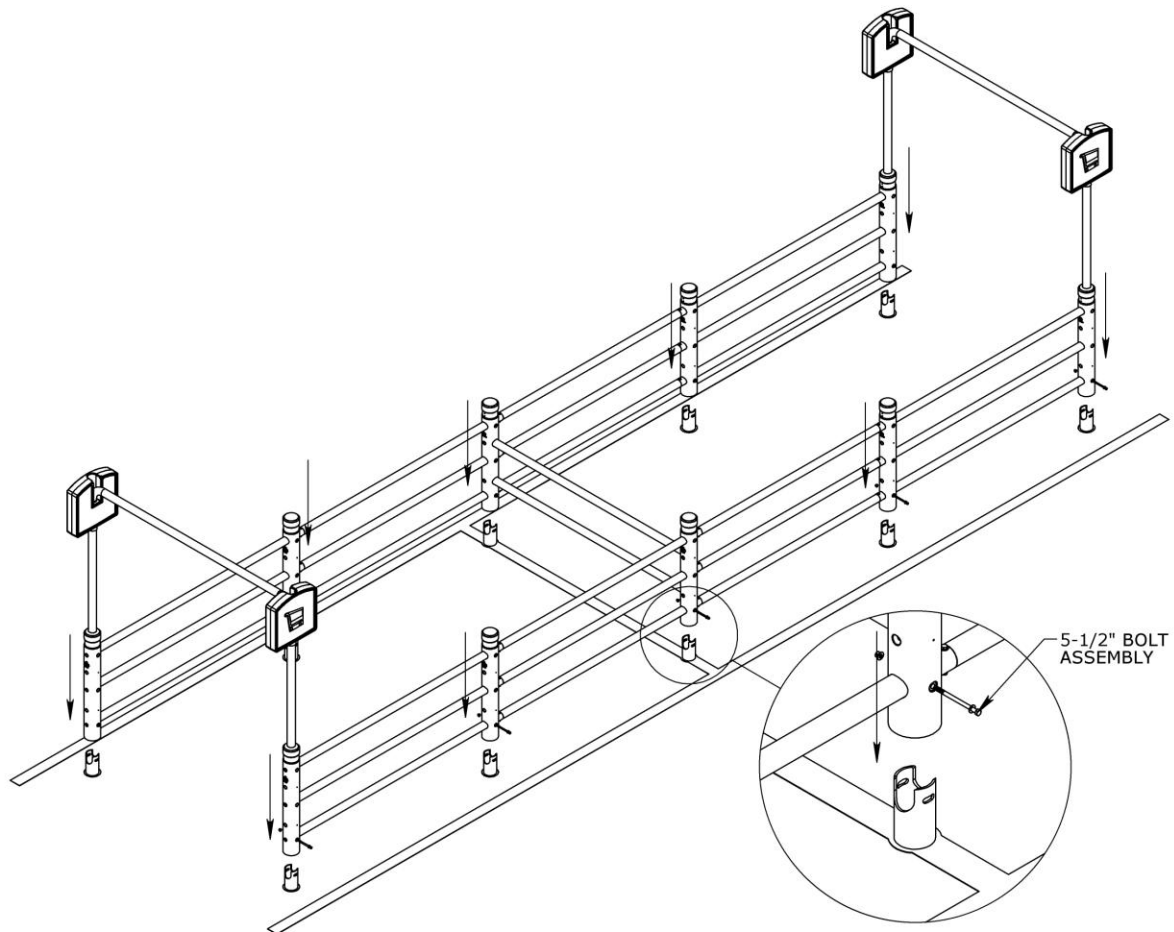
Using a torque wrench with an extension and a 1-1/16 deep socket, fasten each steel cup to threaded rod, so that the cup is fully tightened against the asphalt with a maximum of 40 foot/pounds torque, but do not over



Bollard CartMagnet Open Unit - Double

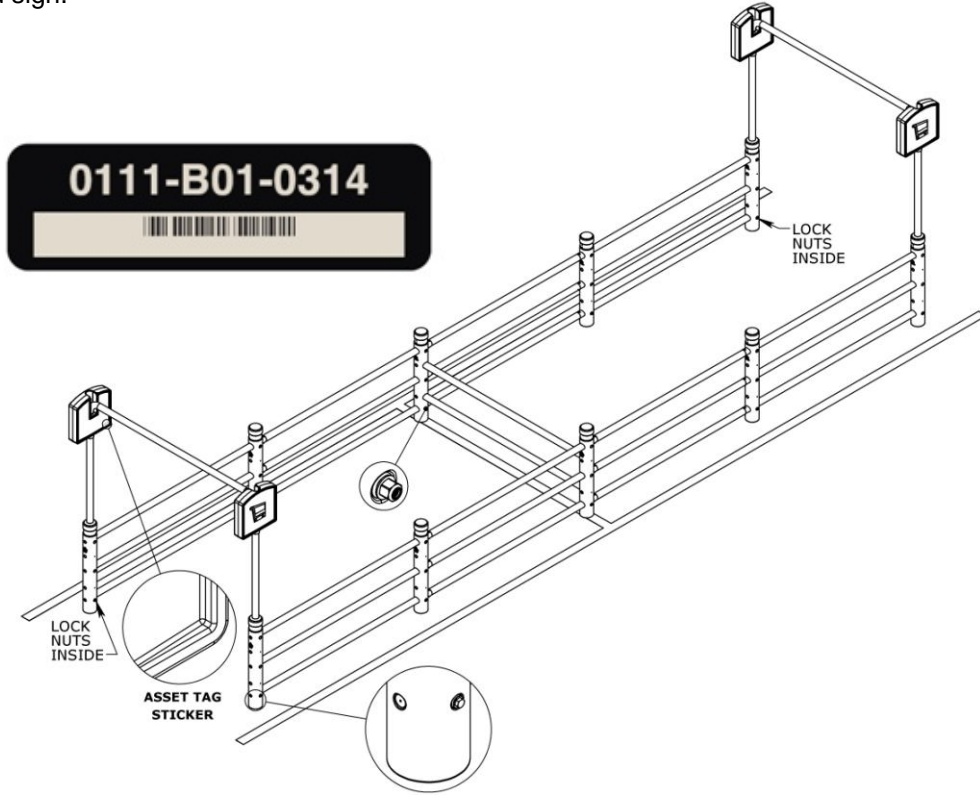


- 17 Remove all hand-tightened bottom bolts**
Remove all the hand-tightened 5-1/2" bolt assemblies from the bottom of each bollard. Locate unit onto cups by lifting entire unit over and onto each of the cups. **IMPORTANT:** make sure the base of each bollard is flush with asphalt prior to bolting.





- 18 Secure unit to steel cups**
 Secure all plastic bollards to the steel cups using the removed 5-1/2" assembly hardware. Locate all the lock nuts facing inside the unit. **IMPORTANT:** the exposed end of bolt must be engaged with the nylon insert on the lock nuts to be fully secured. Attach Asset Tag to the inside bottom right of the left-hand sign.



- 19 Site Supervisor Photograph Unit**
 SITE SUPERVISOR MUST TAKE (5) PHOTOS OF EACH ASSEMBLED CART CORRAL, "ASSET TAG", "FRONT", "BACK", "RIGHT", "LEFT" VIEW AND UPLOAD PHOTOS ON THE MCCUE PROJECT MANAGEMENT SYSTEM.

NOTE: PLEASE REFER TO RUMBLE STRIP ADDENDUM AND EXECUTE AS NEEDED.

Your Bollard CartMagnet Open unit is now Complete!

