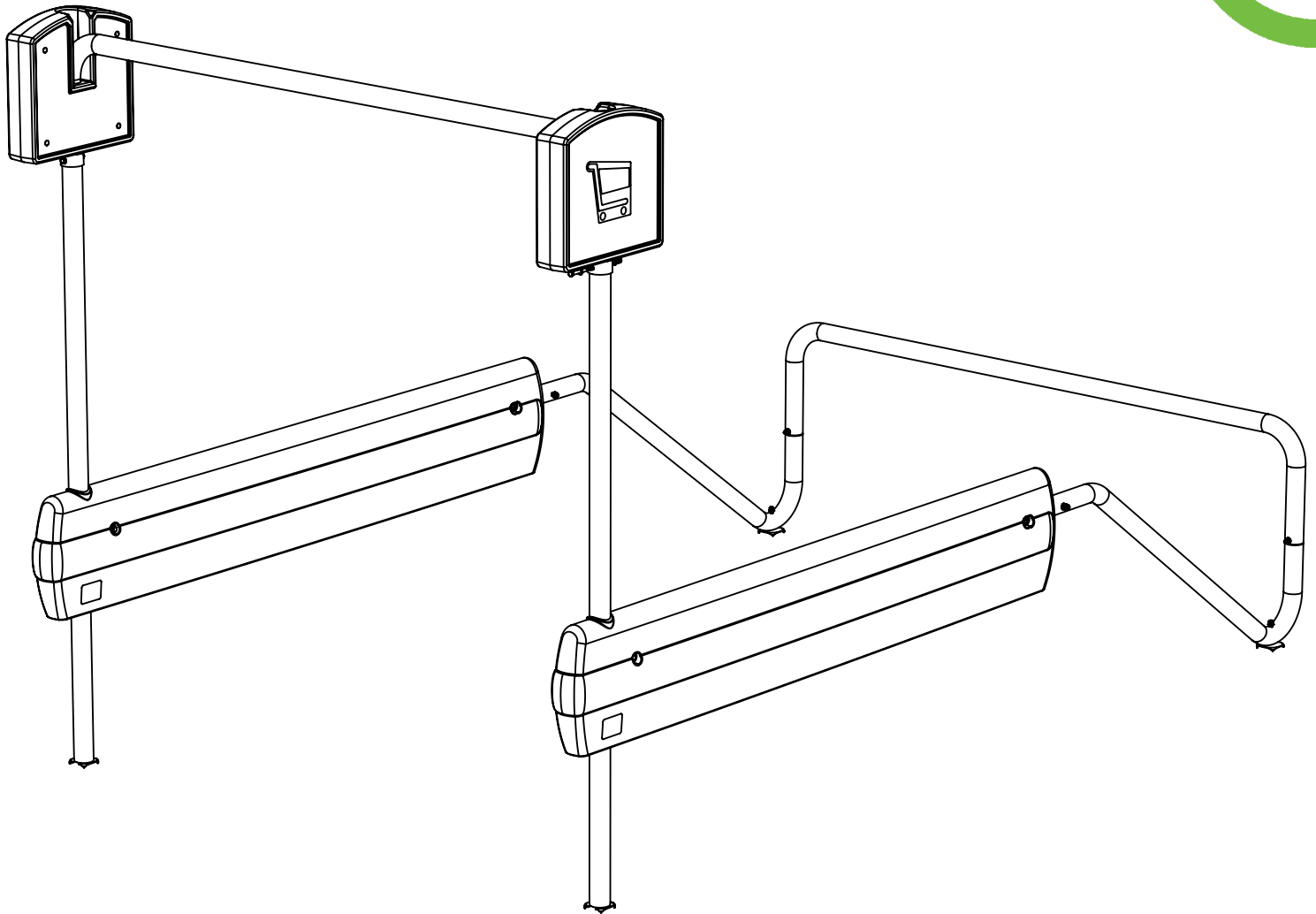
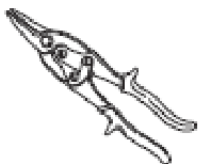


CartMagnet Bumper

INSTALLATION INSTRUCTIONS



Tools Required



Tin
Shears



7/32" Allen
Hex Key



Leather
Gloves



3/8" Hex
Bit



9/16"
Socket Bit



Cordless
Drill



Impact
Driver



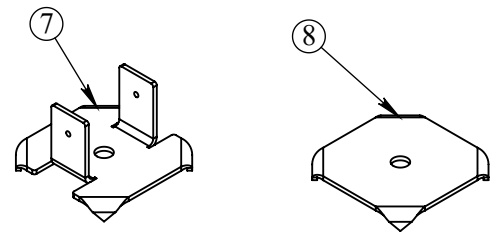
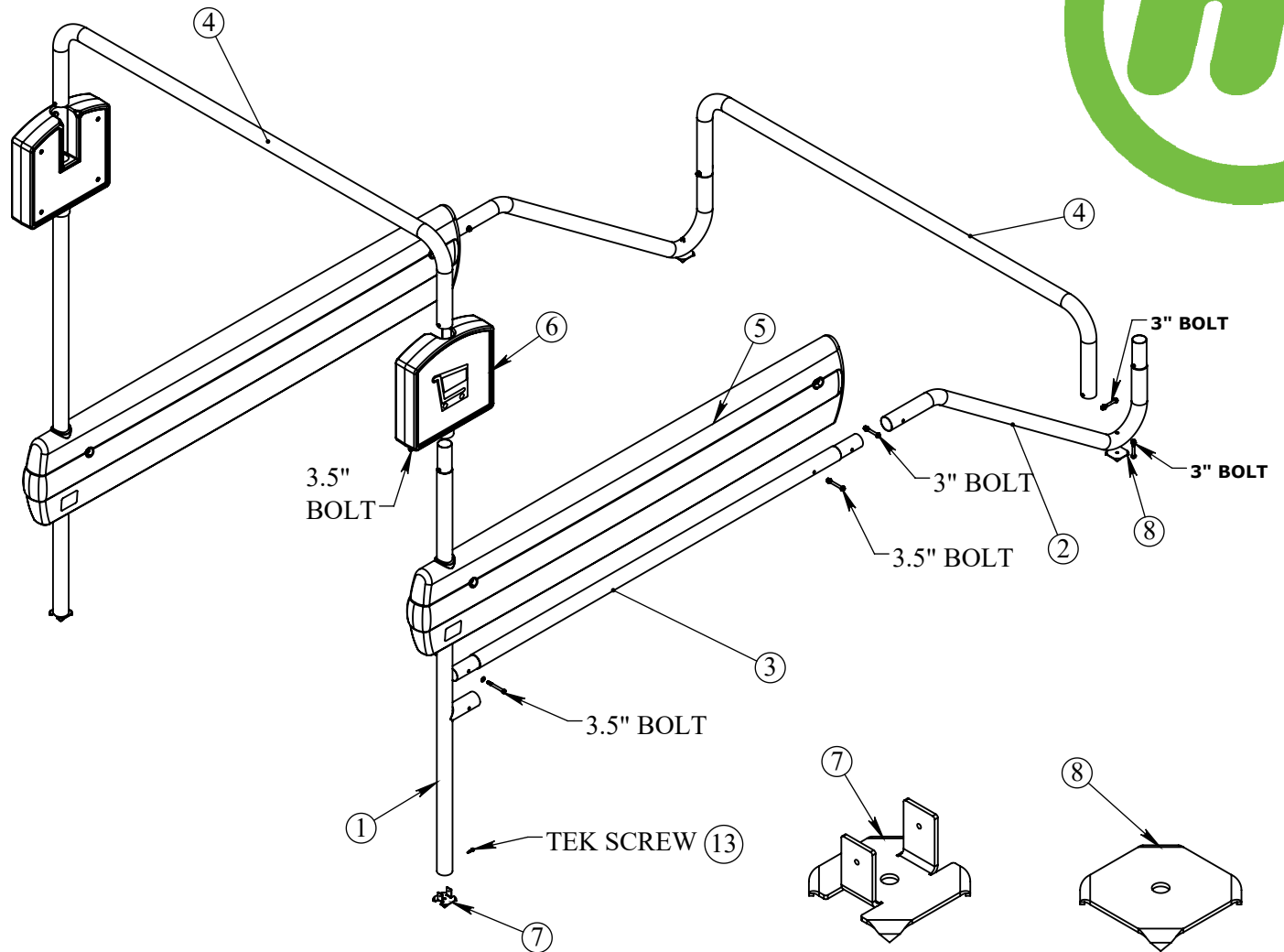
McCue Corporation
Peabody, Massachusetts, USA
+1 (800) 800 8503
customer@McCue.com

McCue UK & Europe
Milton Keynes, United Kingdom
+44 (0)1908 365 511
uksales@McCue.com

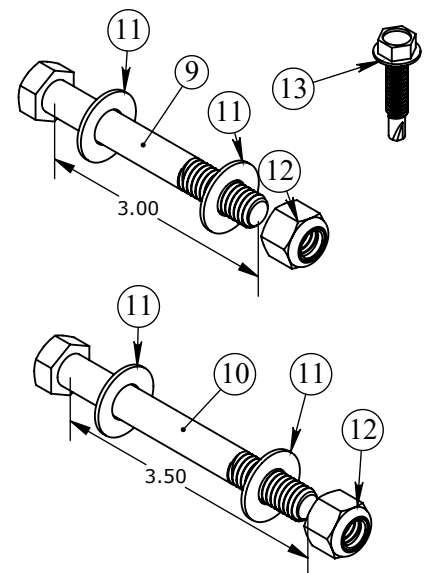
McCue Asia
迈客(厦门)有限公司
Xiamen, Fujian, China
+86-592-2200790

McCue.com





CM-3B-### (86.5" C-C) CARTMAGNET 3 WIDE, BARRIERS, (COLOR)			McCUE PART #'S
ITEM #	QTY	DESCRIPTION	
1	2	UPRIGHT, 83.40" LONG, 2.5" OD	CMSC-UPRIGHT
2	2	SIDERAIL, 58.25" LONG, 2.5" OD	CMSC-SIDERAIL
3	2	SIDEBAR, 91.37" LONG, 2.5" OD	CMSC-SIDEBAR
4	2	CROSSBAR, 86.50" C-C X 89" LONG X 17" TALL, 2.5" OD	CMSC-FRONT-CBAR3
5	2	BARRIER 16" TALL X 96" LONG X 5.50" WIDE, COLOR	CMSA-BARRIER-###
6	2	PLASTIC SIGN, 18" LONG X 17" TALL X 4.0" WIDE, COLOR	BCMC-SIGN-BM-###
7	2	FRONT CLEAT, BENT PLATE 3" X 3" X 1.95" TALL	CMSC-CLEAT-FRONT
8	2	BACK CLEAT, PLATE WITH A THRU HOLE	CMSC-CLEAT-BACK
CMS-HARDWARE			
9	6	3/8-16 X 3" LONG HEX HEAD SCREW, ZINC	CM-HW-0.375-16-30-HHS
10	6	3/8-16 X 3.5" LONG HEX HEAD SCREW, ZINC	CM-HW-0.375-16-35-HHS
11	24	3/8 ID X 3/4" OD FLAT WASHERS TYPE A, NARROW, ZINC	CM-HW-0.375-FW
12	12	3/8-16 NYLON INSERT LOCK NUT, ZINC	CM-HW-0.375-16-NILN
13	2	#14 X 1.25 TEK HEX HEAD SELF DRILLING SCREWS, ZINC	CM-HW-14-14-125-SDS



REV 07/03/2017



Important:

Assemble on a flat, level surface. All cart corrals should be inspected on a regular bases for damage. McCue recommends a minimum of two inspections per year in the spring and fall. Any damaged pieces, including ground frames and lane dividers which are not flat and flush with the ground, should be replaced with McCue replacement parts.

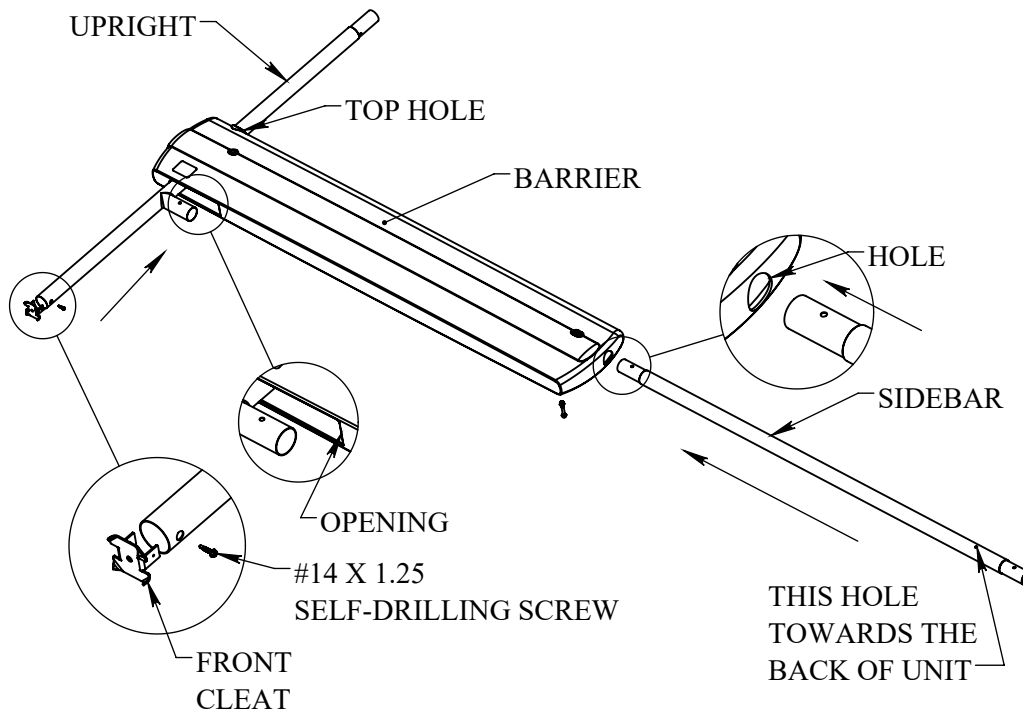


1 Slide upright and sidebar into plastic barrier

Slide upright post starting from the bottom opening of the barrier and thru the top hole. Slide sidebar into plastic barrier as shown, making sure the two holes are towards the back of unit.

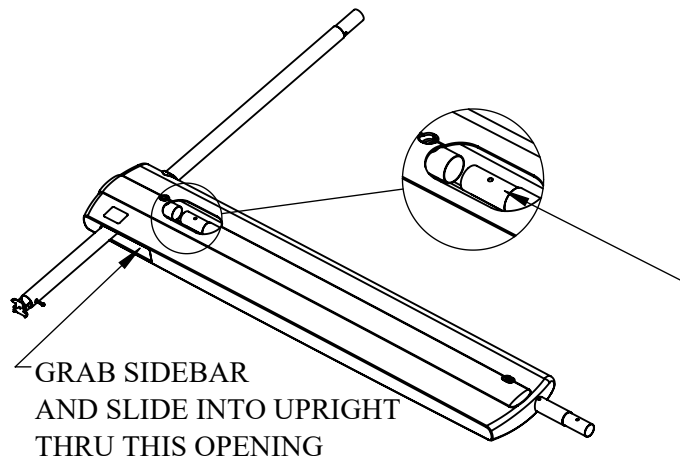
Protect plastic barrier from getting scratch if done on the ground.

Slide front cleat at the bottom of the upright until flush as shown and secure with (1) #14 x 1.25" self-drilling screw.



2 Insert and align sidebar into upright

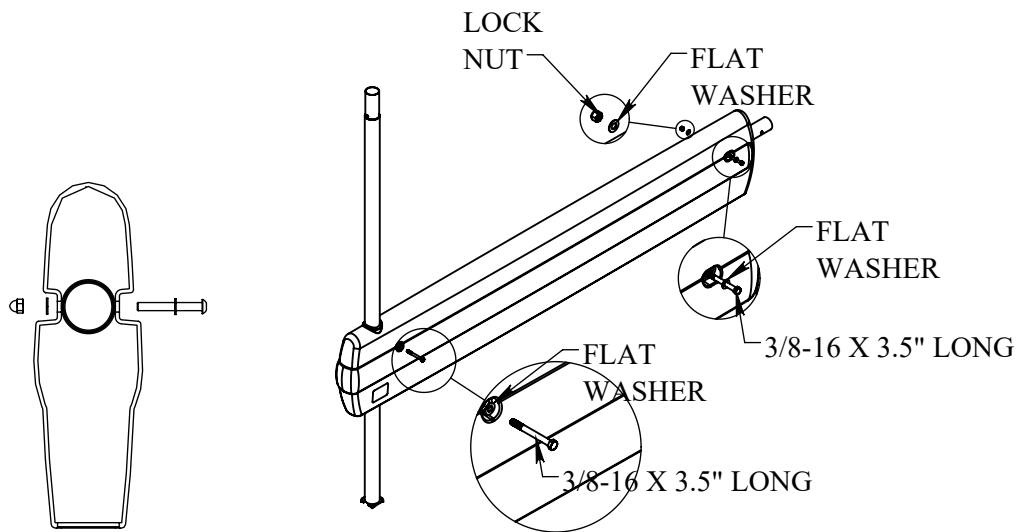
Slide upright post and sidebar into plastic barrier as shown. Align hole on upright with hole on plastic barrier. Slide sidebar into into upright and align holes. Secure the components to the plastic barriers with (2) 3/8-16 x 3.5" long bolts, washers and lock nuts.





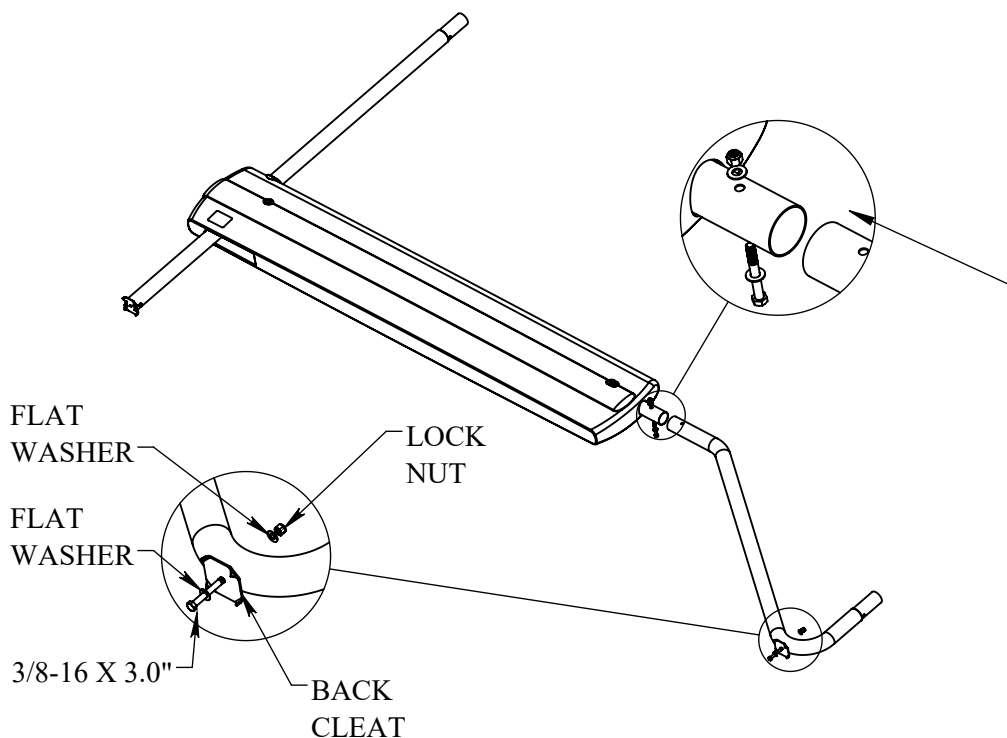
3 Connect Upright and Sidebar

Making sure the sidebar is inserted into upright, align the holes of upright and sidebar with the front molded hole of the plastic barrier. Secure with (2) 3/8-16 x 3.5" long bolts, washers and lock nuts. Make sure two bolts are holding plastic barrier to Sidebar. Repeat to assemble the other side.



4 Connecting Siderail and back Cleats

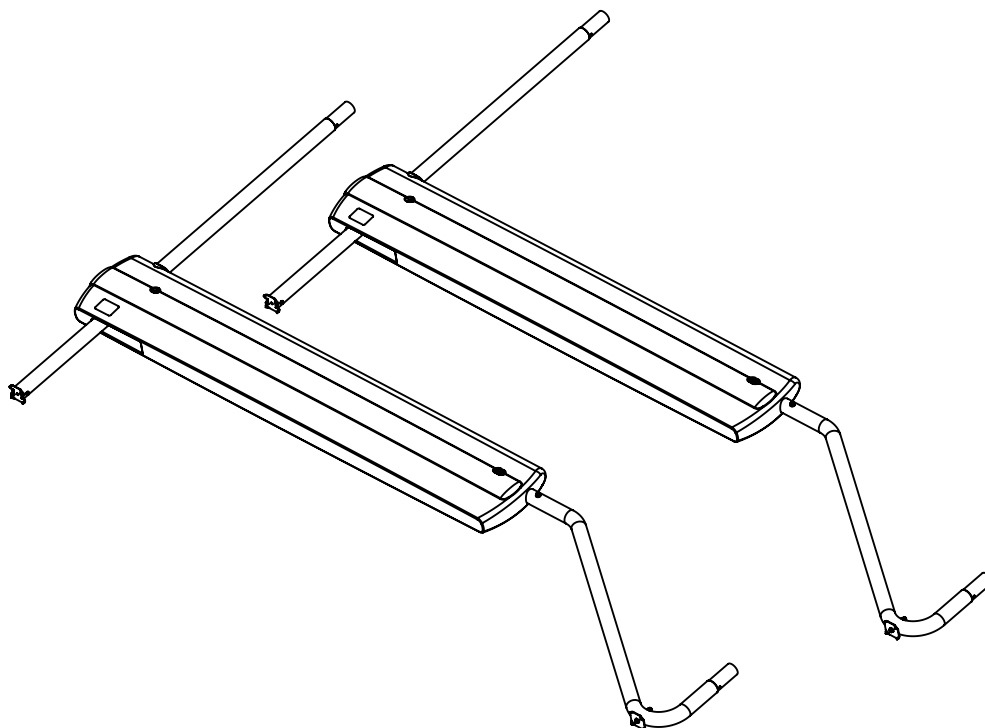
Slide siderail onto the sidebar, align the holes and secure with 3/8-16 x 3.0" long bolts, washers and lock nuts. Slide a flat washer onto a bolt and insert thru the bottom of the back cleat as shown. Slide back cleat with bolt and washer through the bottom hole of siderail. The bolt should come up through the top of the hole on the siderail. Secure back cleat to the siderail with a washer and lock nut. Repeat to other side.



5

Assembled both sides

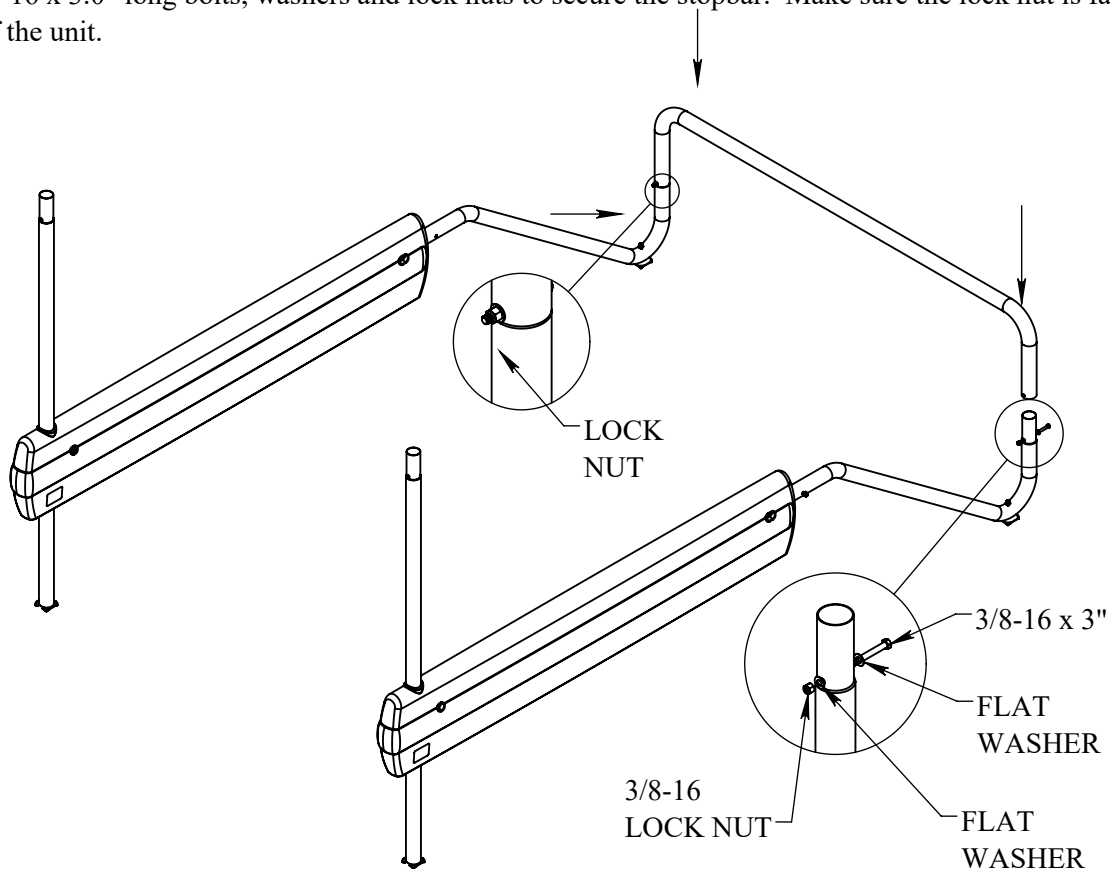
Make sure both sides are completely assembled and that all bolts are secured.



6

Installing back stopbar

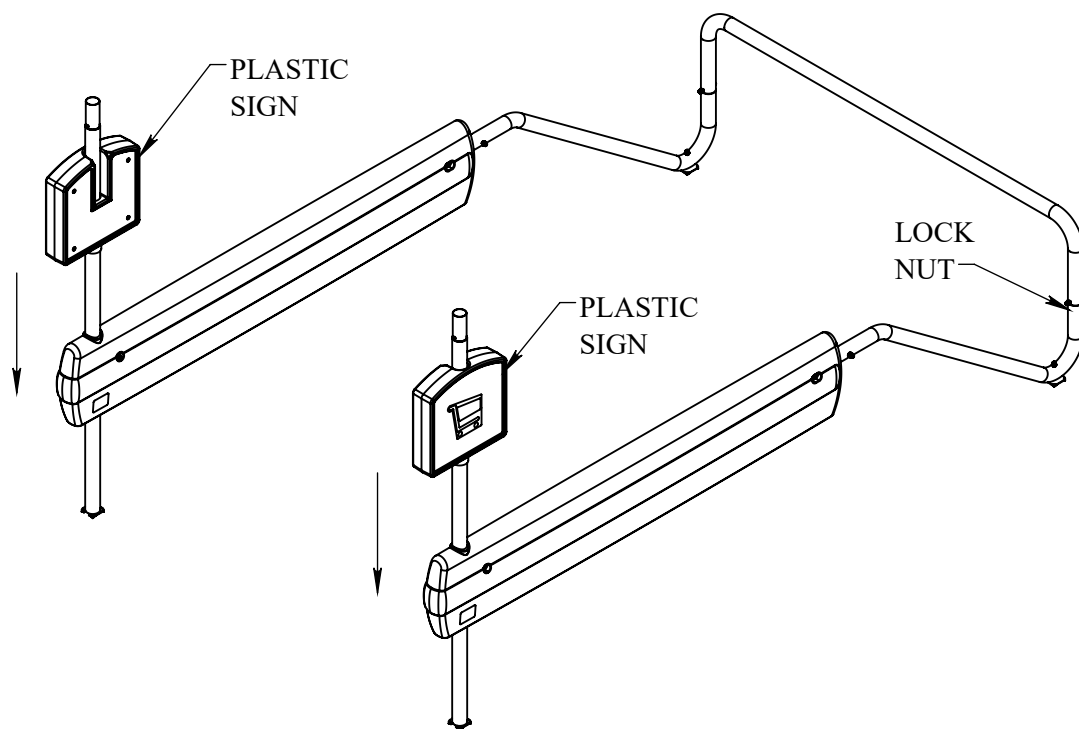
Raise one completed side into upright position and slide the back stopbar onto the rear of the siderails as shown. Raise the other completed side and slide the back stopbar onto the rear of that side. Note: the front end and frame must be squared in order for the holes to align with back stopbar. Use the included 3/8-16 x 3.0" long bolts, washers and lock nuts to secure the stopbar. Make sure the lock nut is facing the inside of the unit.





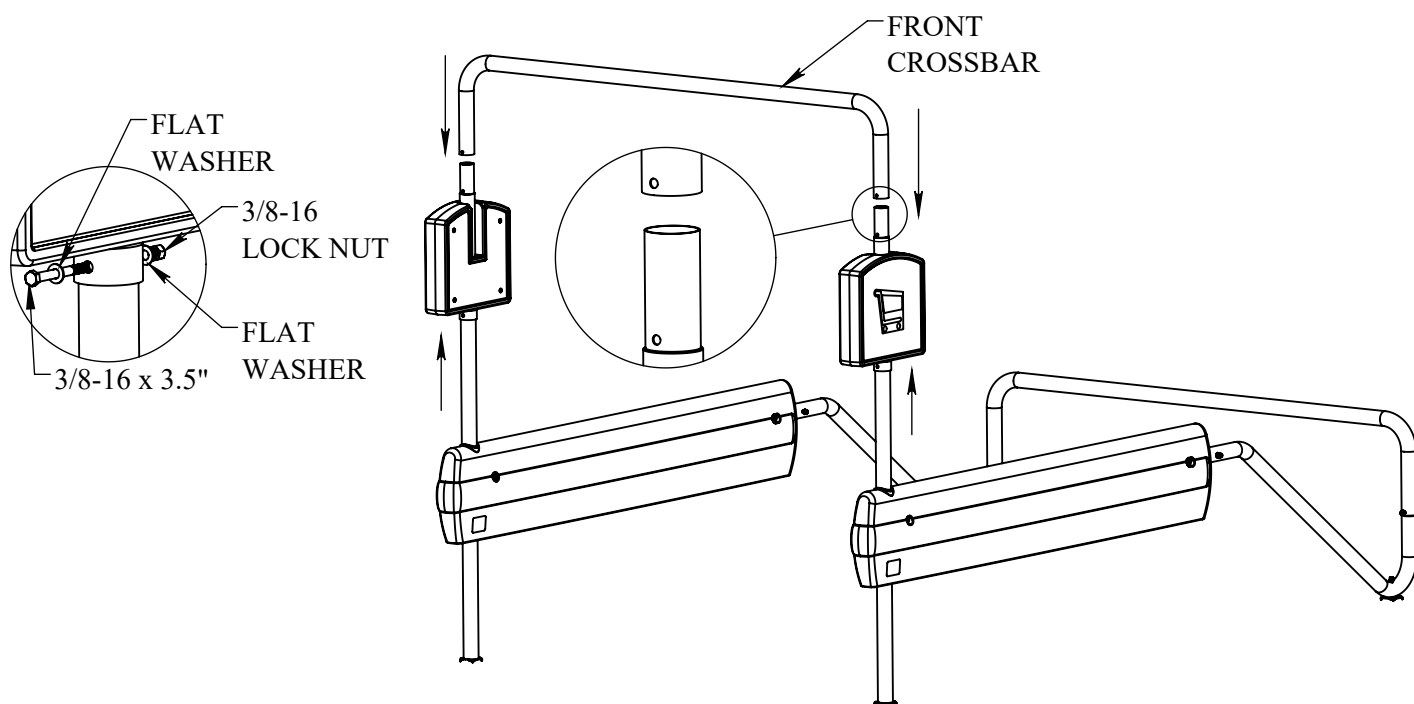
7 slide plastic signs

Slide plastic signs onto upright making sure the cart logo are facing the outside. Make sure to leave the upright open ends exposed.

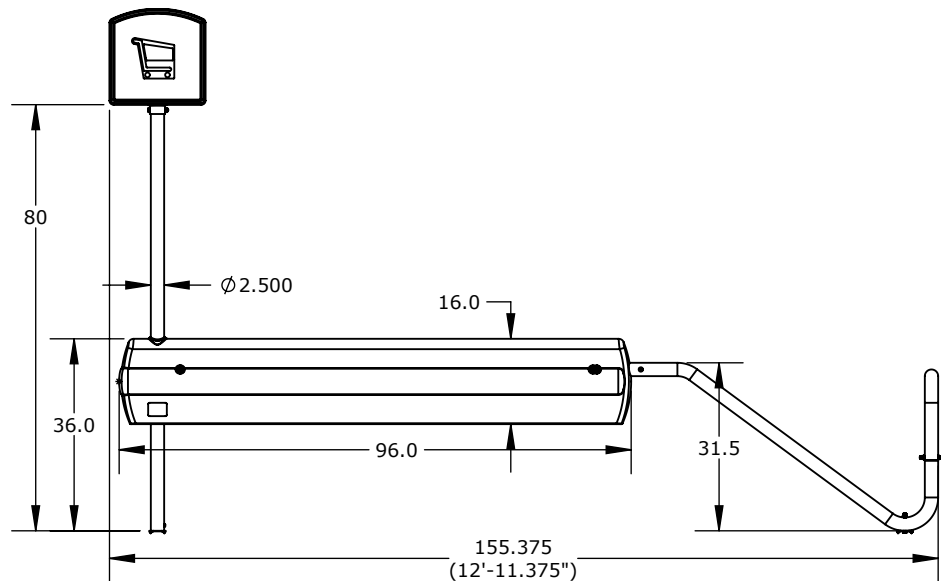
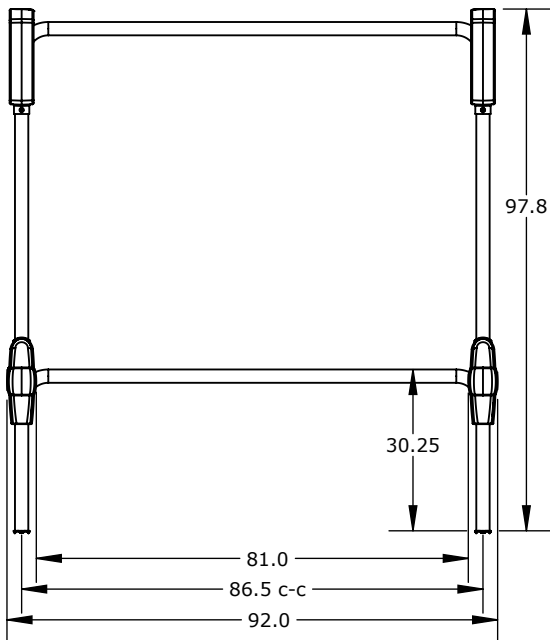
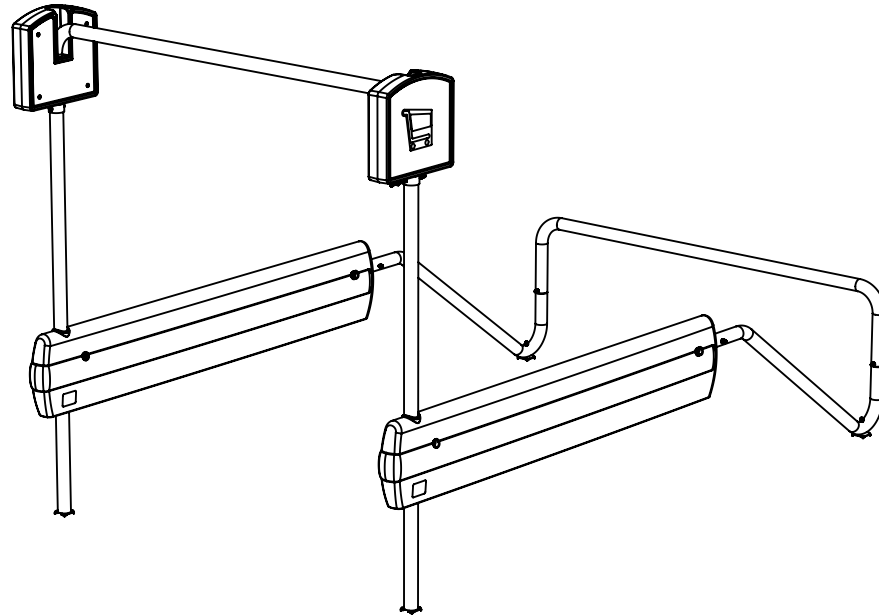


8 Attach crossbar with unsecured signs to the front of the unit

Lift crossbar onto the front uprights and align holes. Make sure uprights are standing vertical. Slide the plastic signs up and over connection. Secure each sign to crossbar and upright with (1) 3/8-16 x 3.50" long bolt, washers and lock nut using a wrench with a 9/16" socket. The bolts should be fully secured.



9 Your unit is now complete



Installation instructions are provided for guidance only. The seller assumes no liability regarding improper installation or misapplication of its products. It is the installer's responsibility to check the proper installation and, if in doubt, contact McCue Customer Care for assistance @ (800) 800 8503.