

CartPark® Architectural Peaked



Customer experience begins in your parking lot.

A cart corral designed for premium curb appeal and engineered for exceptional durability, the CartPark Architectural dramatically increases voluntary cart return. That means your carts are sheltered from the elements, your parking lot is clean and inviting, and your customers' cars are safe from dents—protecting your bottom line.

Engineered Strength Designed to withstand heavy snow & tested with winds up to 130 mph

Surface Mounted Eliminates the need to drill holes in your parking lot

Premium Design Complements the visual appeal of your store

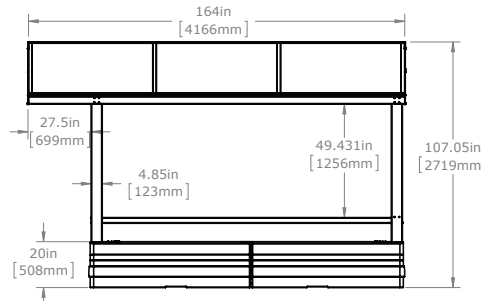
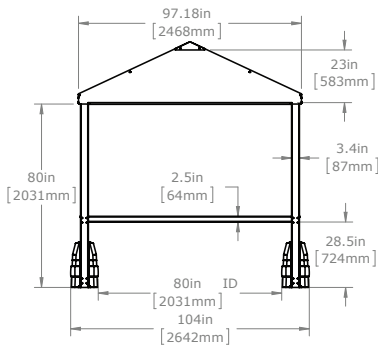


*Shown with optional lattice

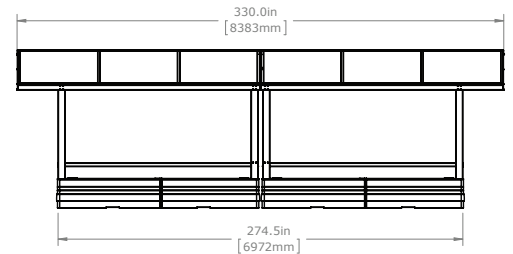
CartPark® Architectural Peaked



Extend your brand from the store to the parking lot!

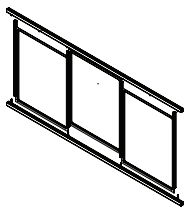


Single Unit
CPAS-4B-UPT-419



Back to Back Unit
CPAS-8B-B2B-UPT-419

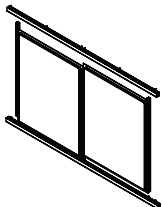
Optional Components: Eye-catching premium design additions complements the visual appeal of your store



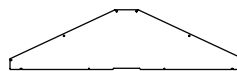
Weather Panels
CPASC-SIDEPANEL-UPT
Set of two (2), left and right



Lattice (set of 4)
CPASA-LATTICE-UPT
Dark-bronze anodized aluminum
Packed: 4 per box



Weather Panels
CPASC-ENDPANEL-UPT
One clear plastic end panel



Custom Graphics
Call for pricing and details.
Optional custom graphics on the triangular front panel

U.S. Patent Numbers: 8998003



McCue Corporation
Peabody, MA 01960, USA
+1 (800) 800 8503
customer@McCue.com

McCue UK & Europe
Milton Keynes, United Kingdom
+44 (0)1908 365 511
uksales@mccue.com

McCue Asia
迈客(厦门)有限公司
Xiamen, Fujian, China
+86-592-2200790

mccue.com

