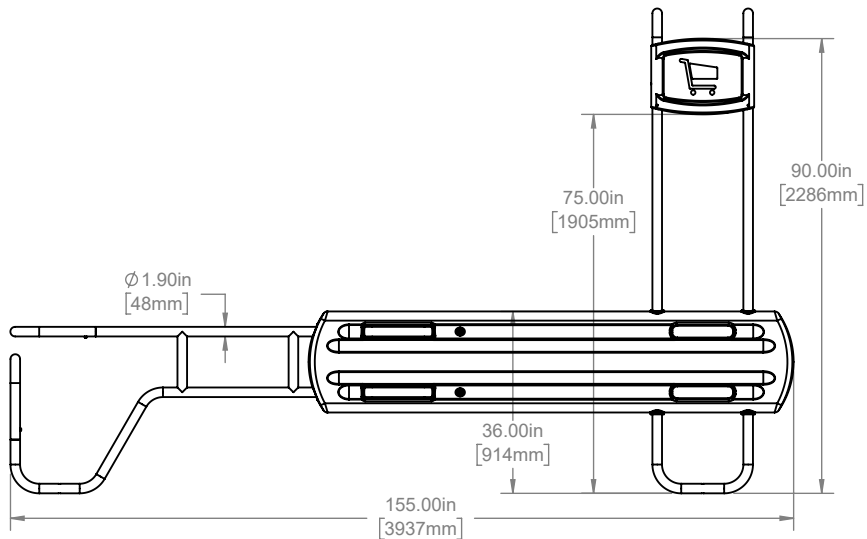
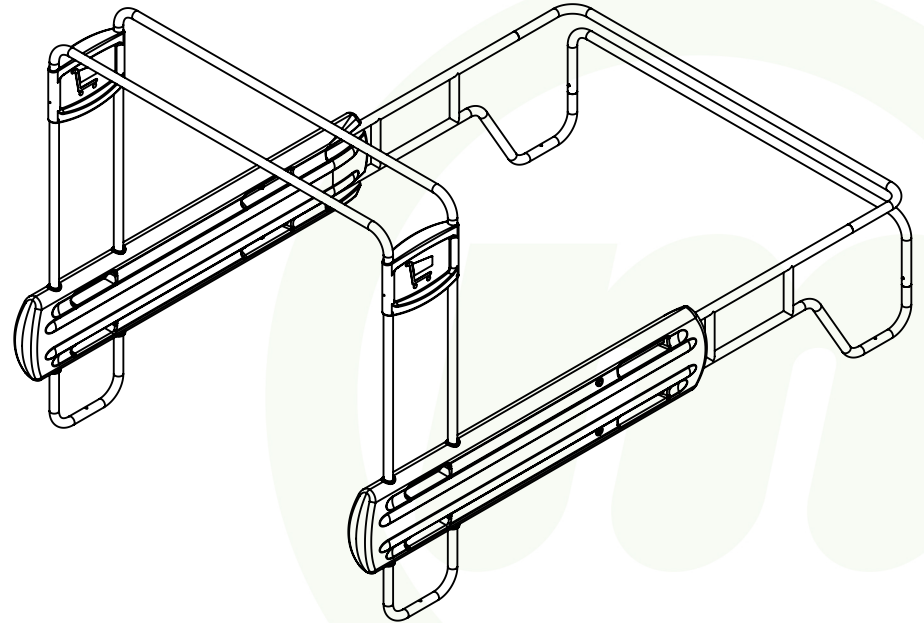
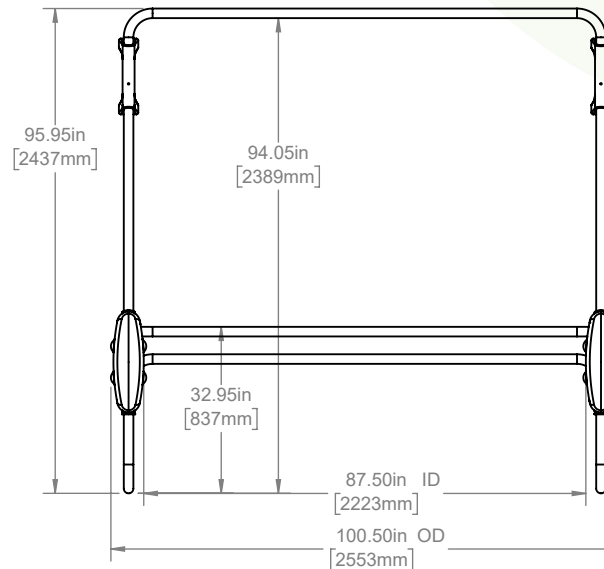


TOP VIEW



LEFT VIEW



FRONT VIEW

APPROXIMATE WEIGHT IS 232 LBS

SCALE 1:38

**Customer Drawing**  
**CartPark Bumper**  
**BP3-COLOR**



**McCue US**  
 (978) 741-8500  
 CustomerCare@mccue.com

**McCue UK**  
 +44 1908-365-511  
 UKCServices@mccue.com

**McCue China**  
 +86-592-2200 790  
 ChinaOffice@mccue.com

[mccue.com](http://mccue.com)