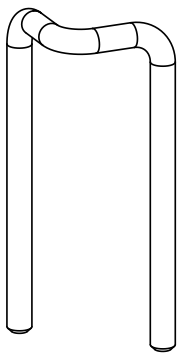
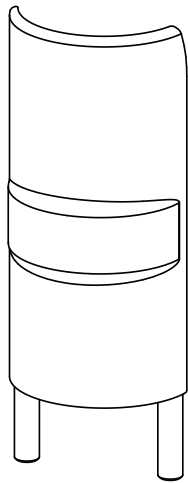


CartStop Corner Guard

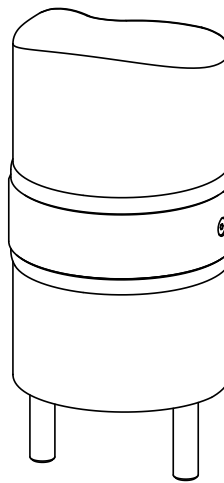
INSTALLATION INSTRUCTIONS



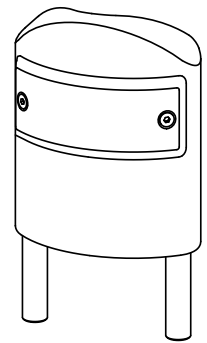
CartStop Shelf Guard
Stainless



CartStop Corner
Guard Stainless

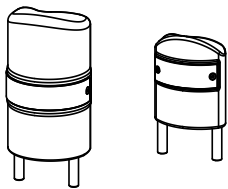
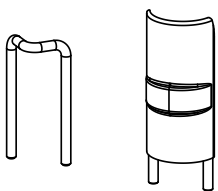


CartStop Corner
Guard Standard

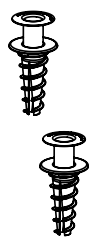


CartStop Shelf
Guard

Components



Corner Guard



Flange Anchor Kit
CSFA-10-KIT

Tools Required



Straight
Edge



Dust Pan
& Brush



Rubber
Mallet



Tape
Measure



Hammer Drill with
1" Carbide Bit



Vacuum



Chalk Line



Pencil



Plumb Line



Framing
Square



Allen Wrench
Set



Wire Brush



McCue Corporation
Peabody, Massachusetts, USA
+1 (800) 800 8503
customer@McCue.com

McCue UK & Europe
Milton Keynes, United Kingdom
+44 (0)1908 365 511
uksales@mccue.com

McCue Asia
迈客(厦门)有限公司
Xiamen, Fujian, China
+86-592-2200790

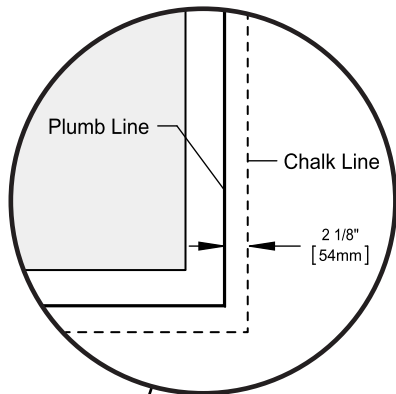
mccue.com



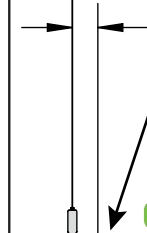


1

TOP VIEW



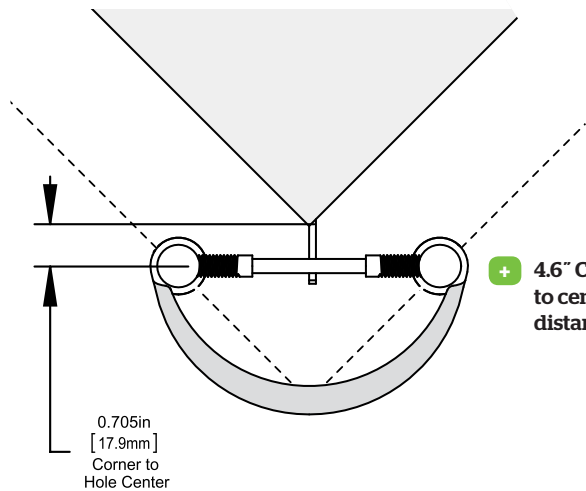
+ Plumb Line



+ Chalk Line

2

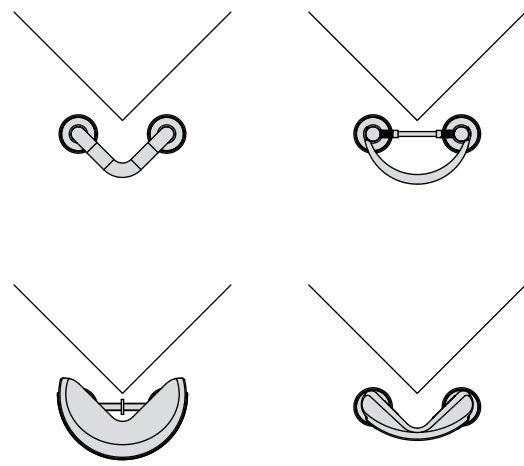
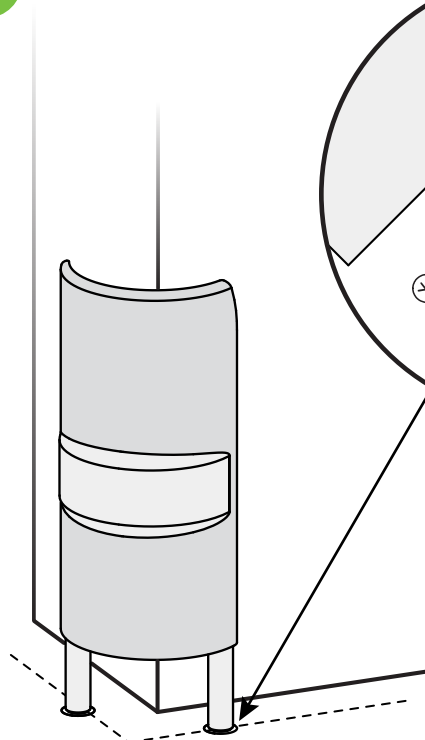
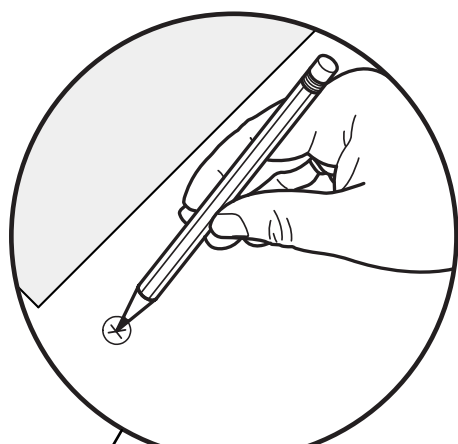
TOP VIEW



+ 4.6" Center to center leg distance

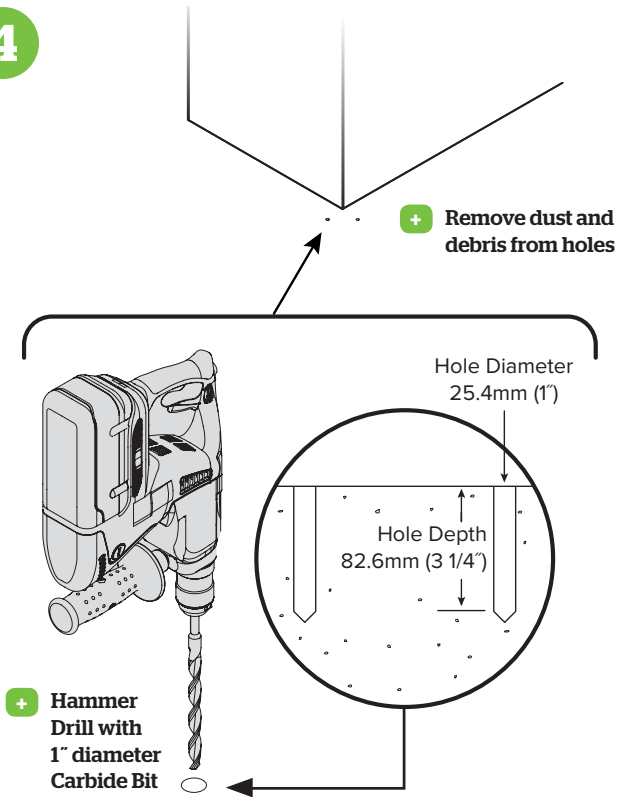
0.705in [17.9mm] Corner to Hole Center

3

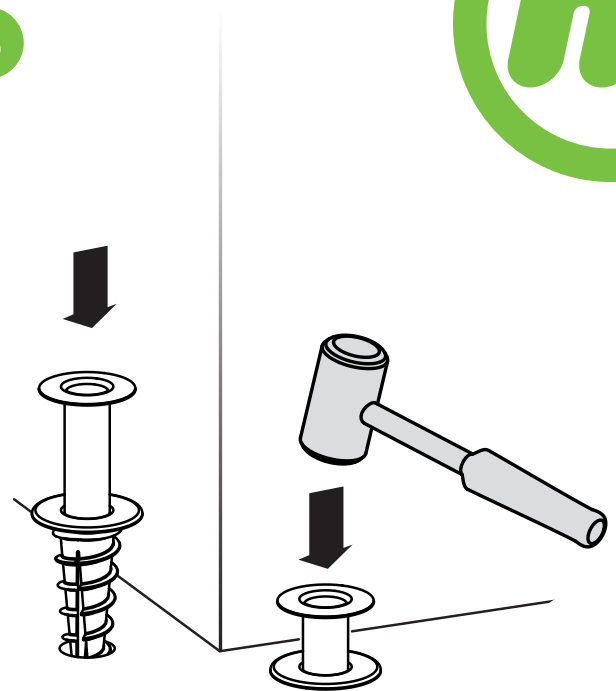




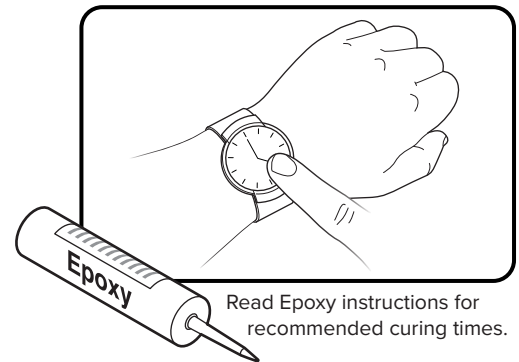
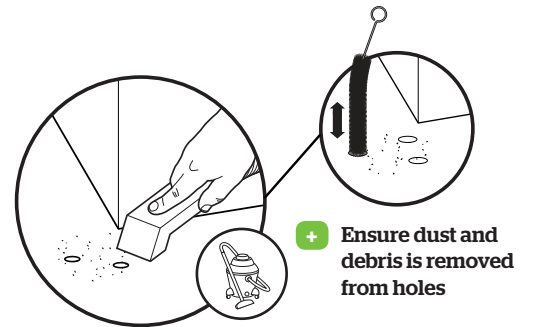
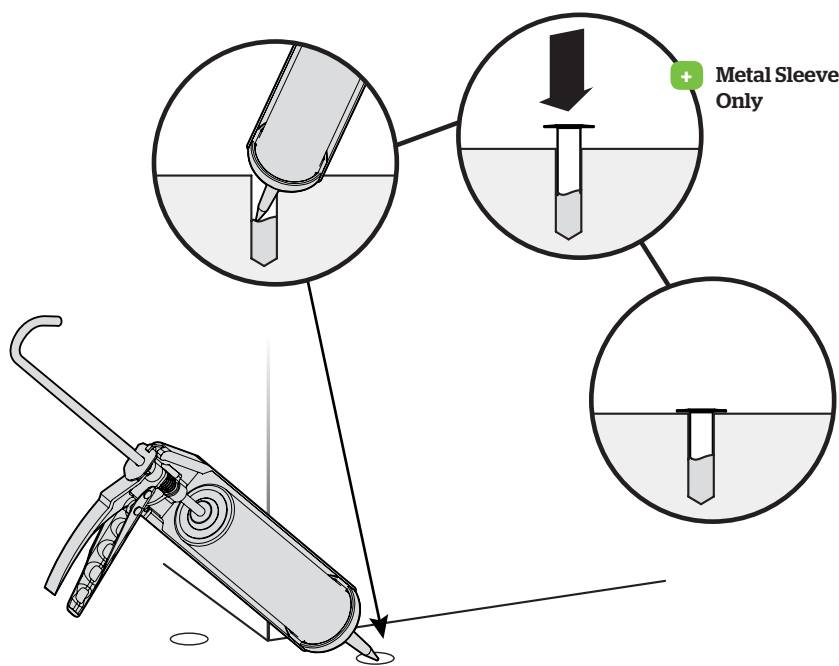
4



5



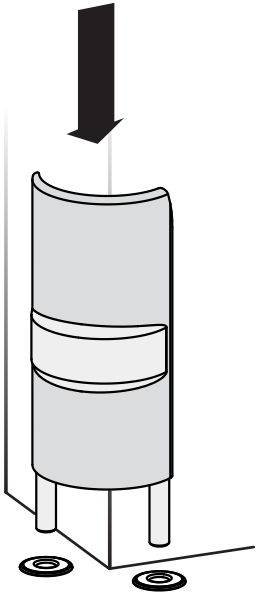
Alternative Epoxy Option



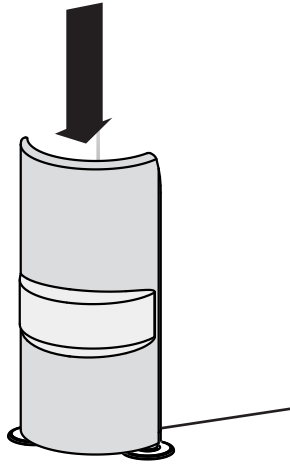
+ Remove plastic anchor and insert stainless steel sleeve into epoxy-filled holes until flange sits flush with the floor



6

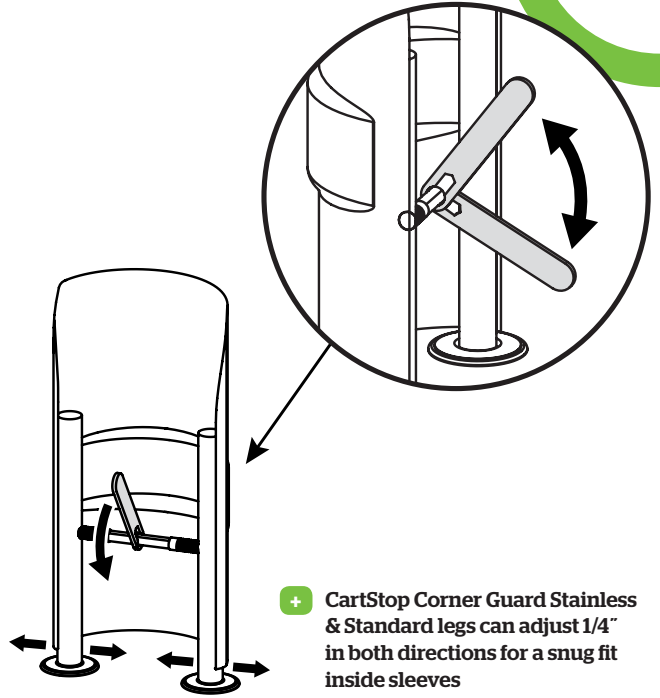


Final step for CartStop Shelf Guard & Shelf Guard Stainless

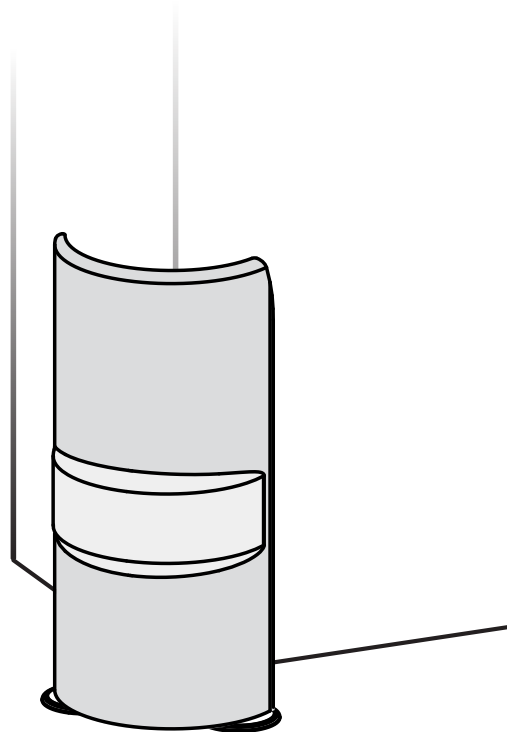


+ Guard will sit about 1/4" above the floor when installed

7



+ CartStop Corner Guard Stainless & Standard legs can adjust 1/4" in both directions for a snug fit inside sleeves



CartStop Corner Guard

HOLE TEMPLATE POSITIONING GUIDE

