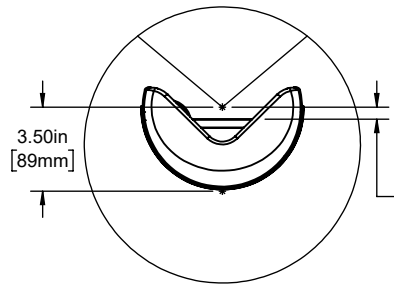
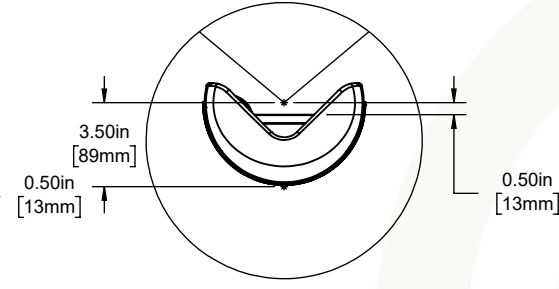


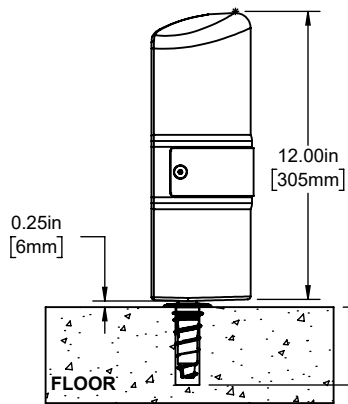
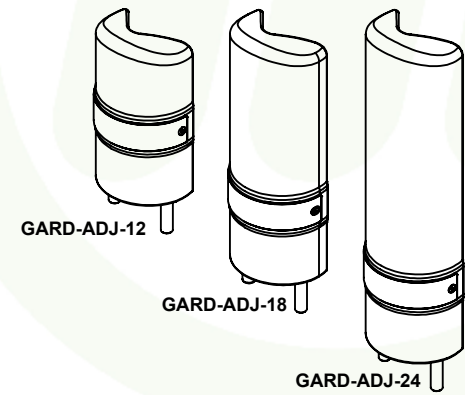
TOP VIEW



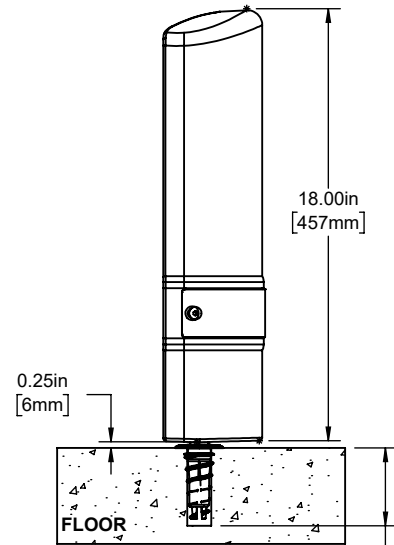
TOP VIEW



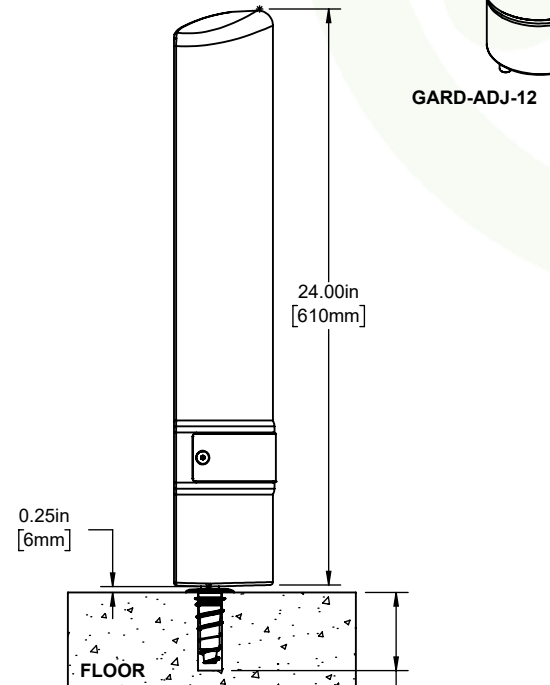
TOP VIEW



3.25in [83mm]
HOLE DEPTH



3.25in [83mm]
HOLE DEPTH



3.25in [83mm]
HOLE DEPTH

Customer Drawing
CORNER GUARD STANDARD



McCue US
(978) 741 8500
CustomerCare@mccue.com

McCue UK
+44 1908-365-511
UKCServices@mccue.com

McCue China
+86-592-2200 790
ChinaOffice@mccue.com

mccue.com