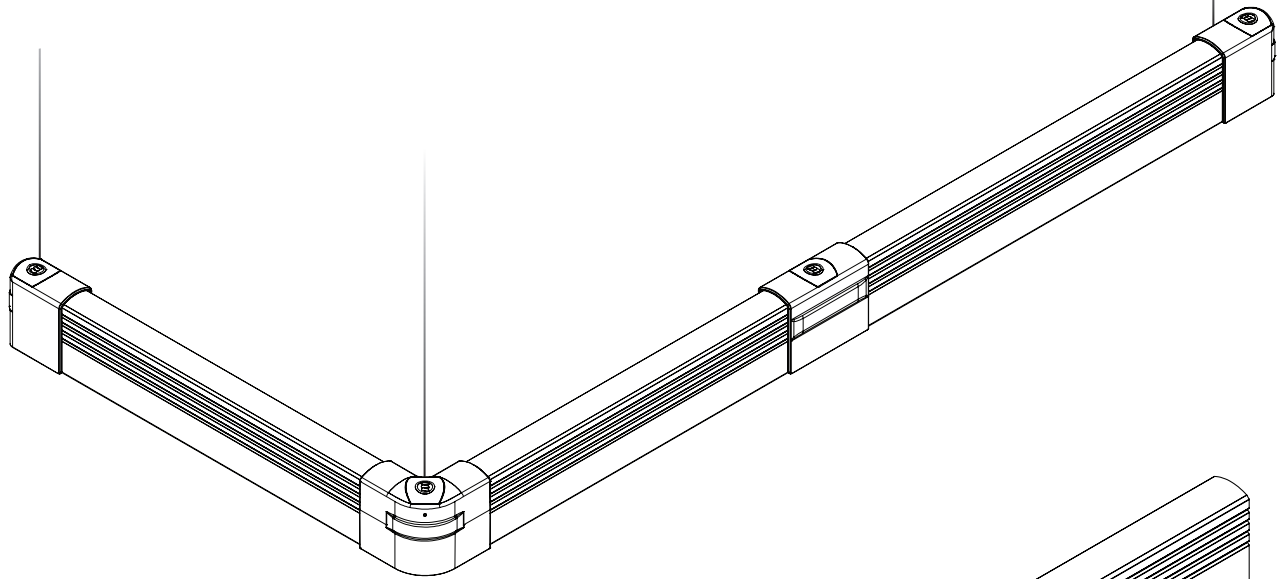
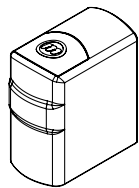


Crash Barrier

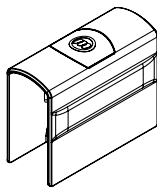
INSTALLATION INSTRUCTIONS



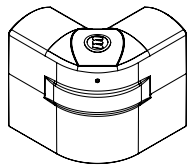
Components (varies by installation)



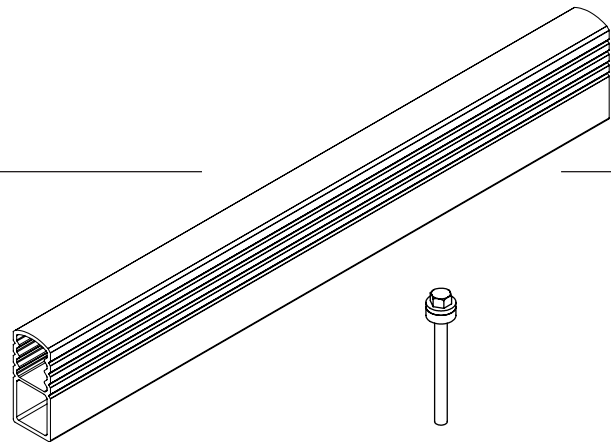
Crash Rail End



Crash Rail Mid



Crash Rail Corner

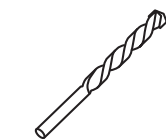
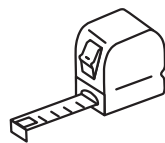
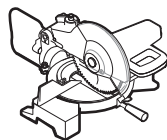


Barrier



20mm (3/4 in)
Shock-Absorbing
Anchor Kit
(2 per each steel part)

Tools Required



16mm (5/8 in)



24mm (15/16 in)



McCue Corporation
Peabody, Massachusetts, USA
+1 (800) 800 8503
customer care@mccue.com

McCue UK & Europe
Milton Keynes, United Kingdom
+44 (0)1908 365 511
uksales@mccue.com

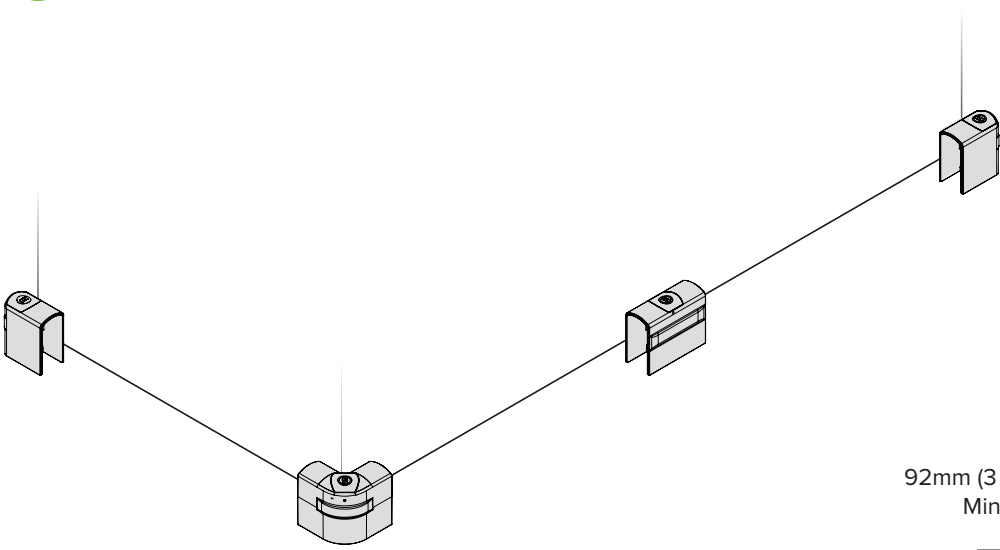
McCue Asia
迈客(厦门)有限公司
Xiamen, Fujian, China
+86-592-2200790

mccue.com

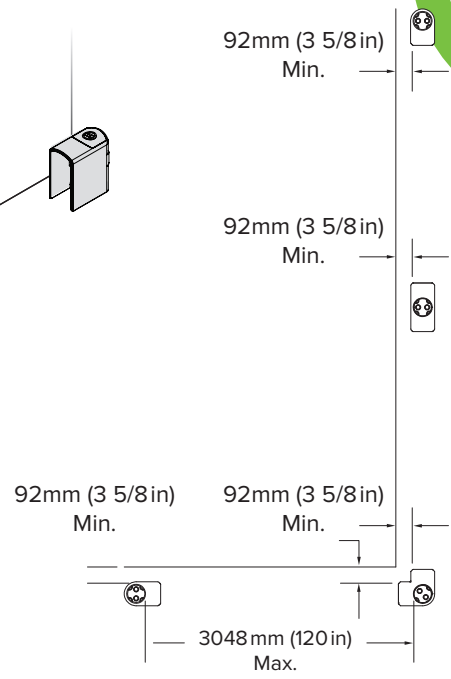




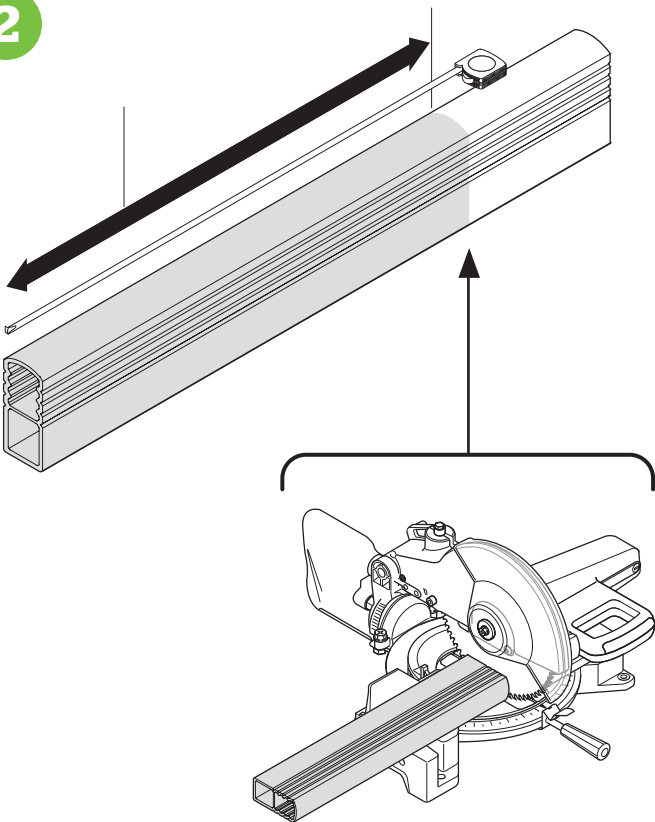
1



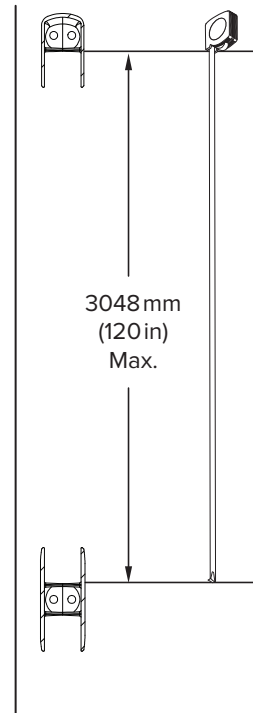
TOP VIEW



2

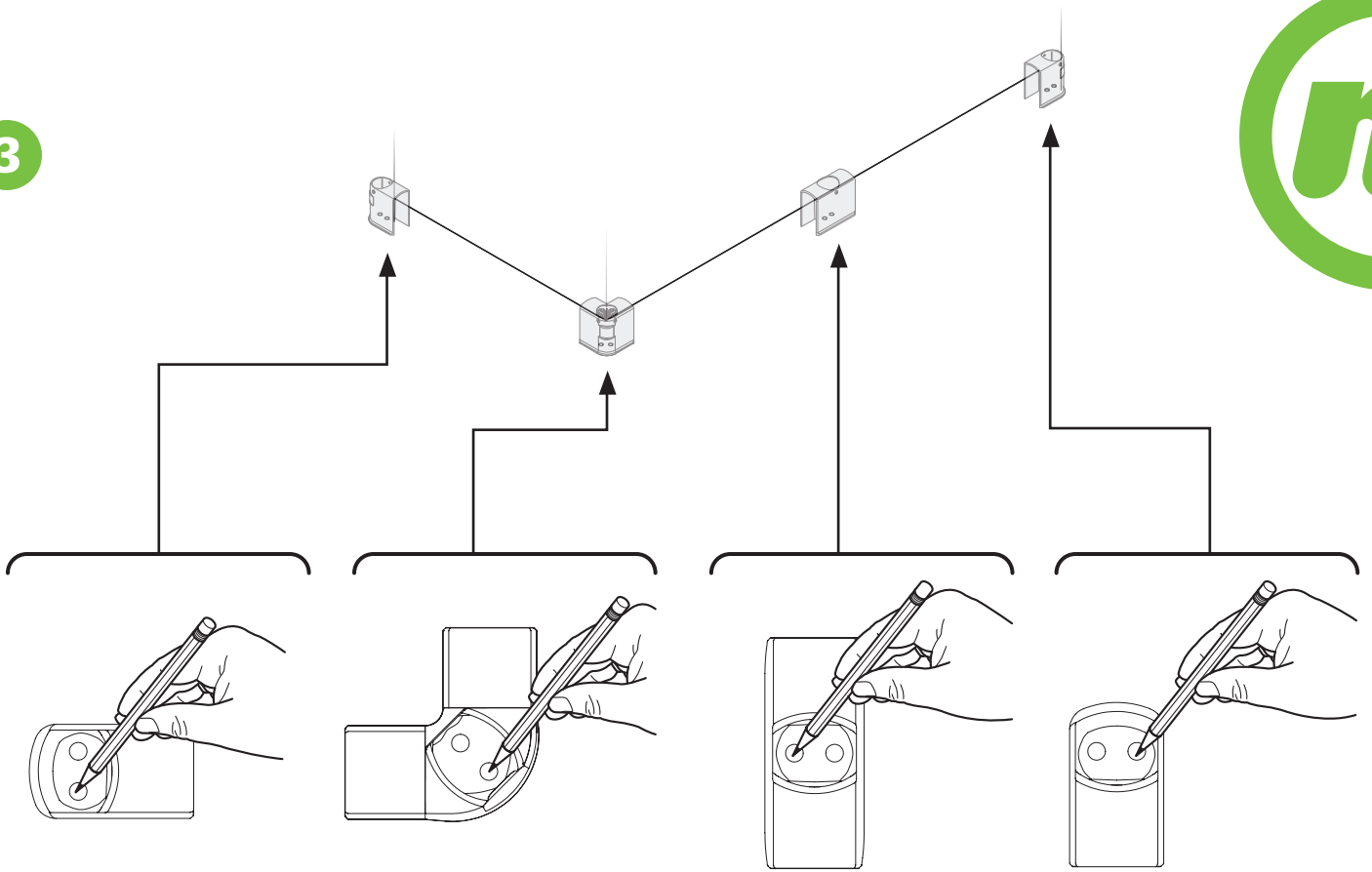


TOP VIEW

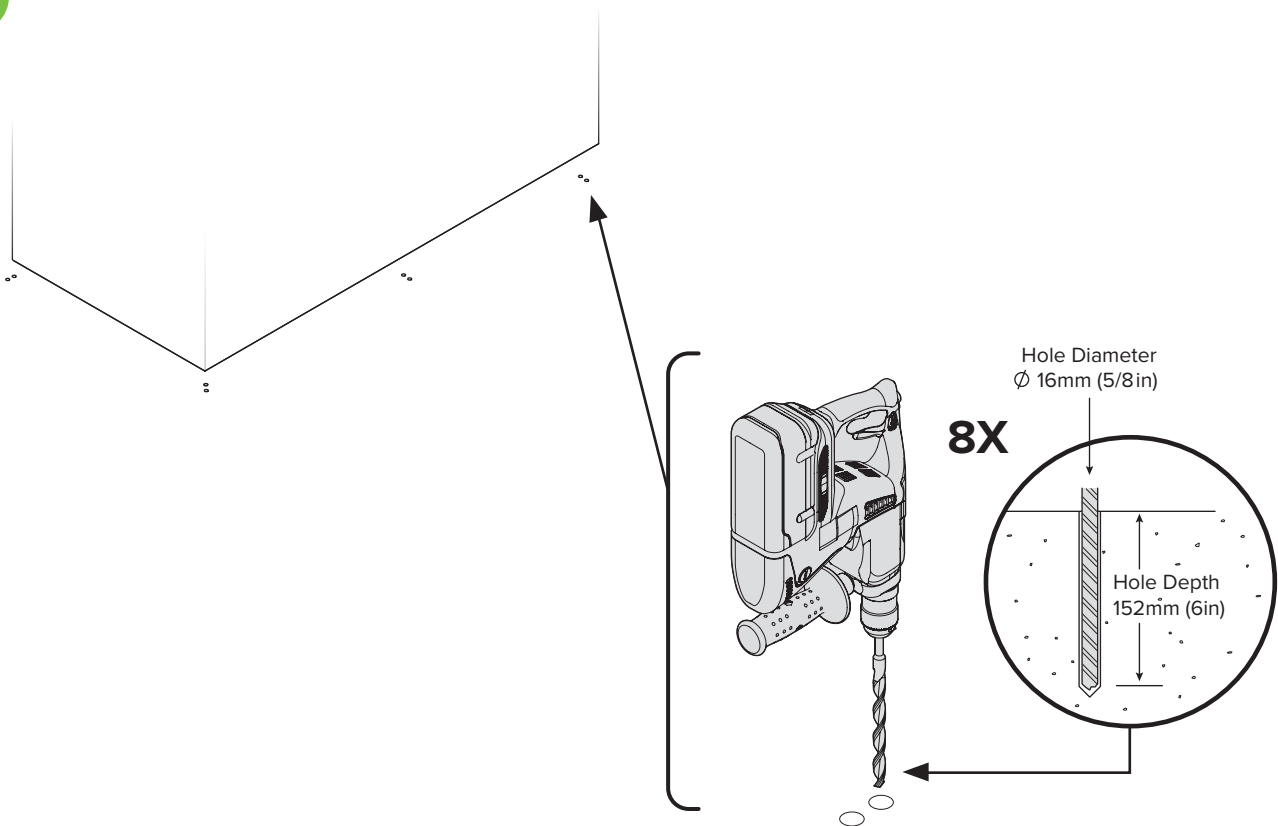


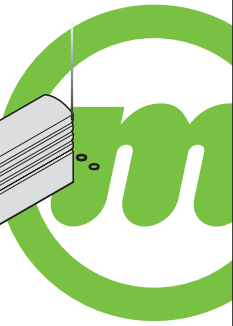


3

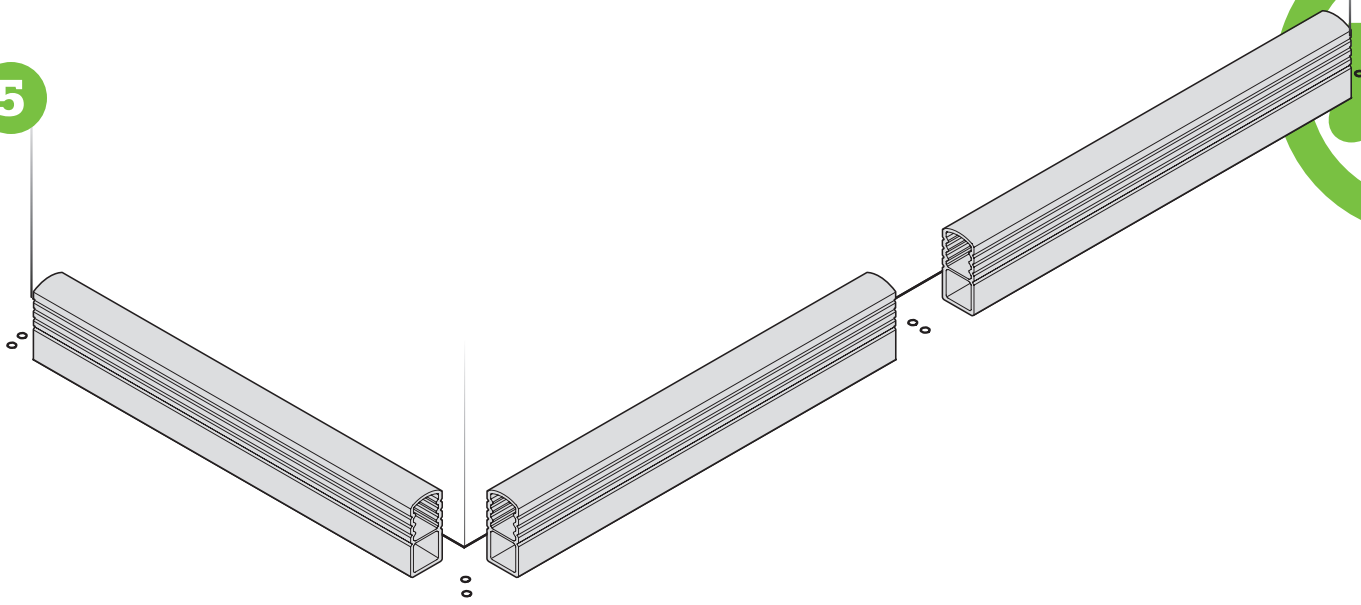


4

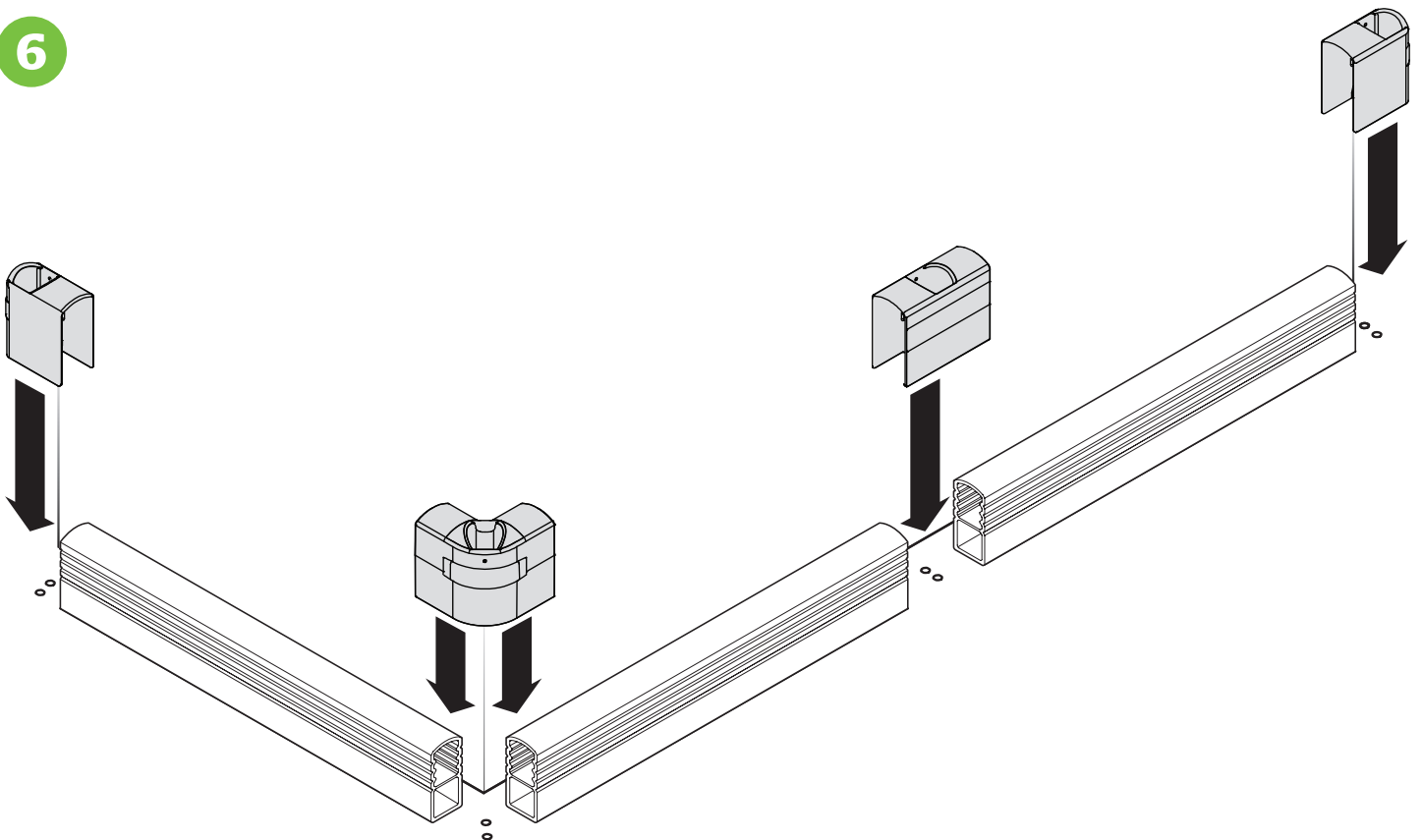




5

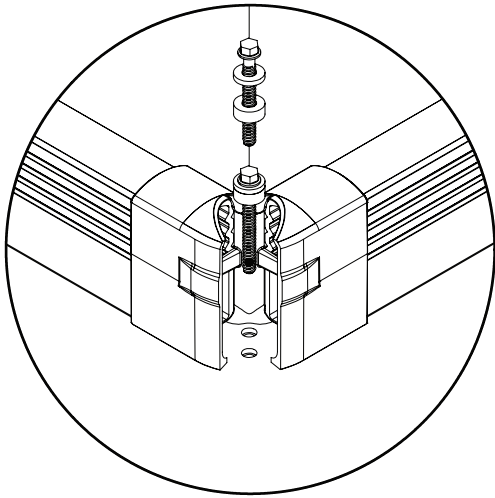


6

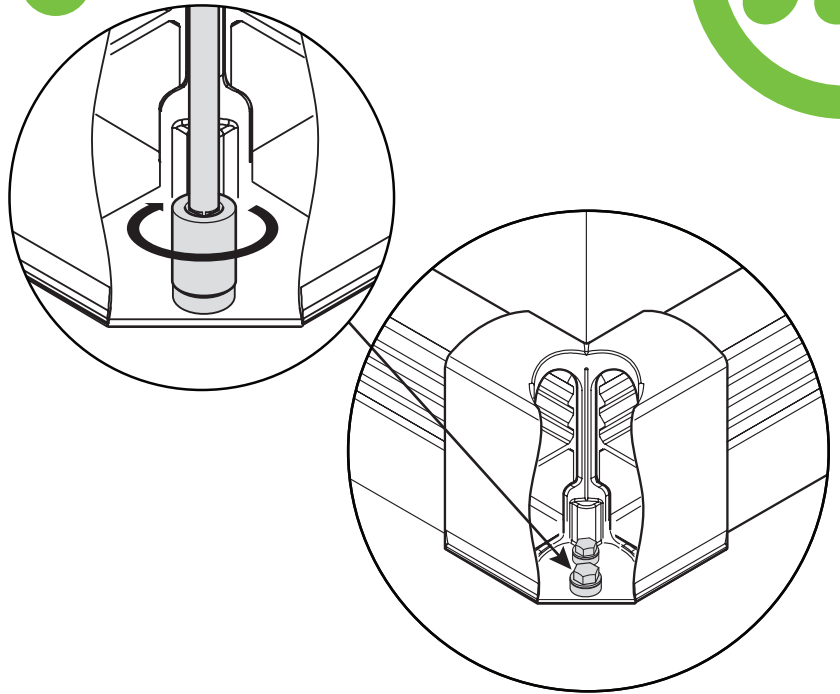




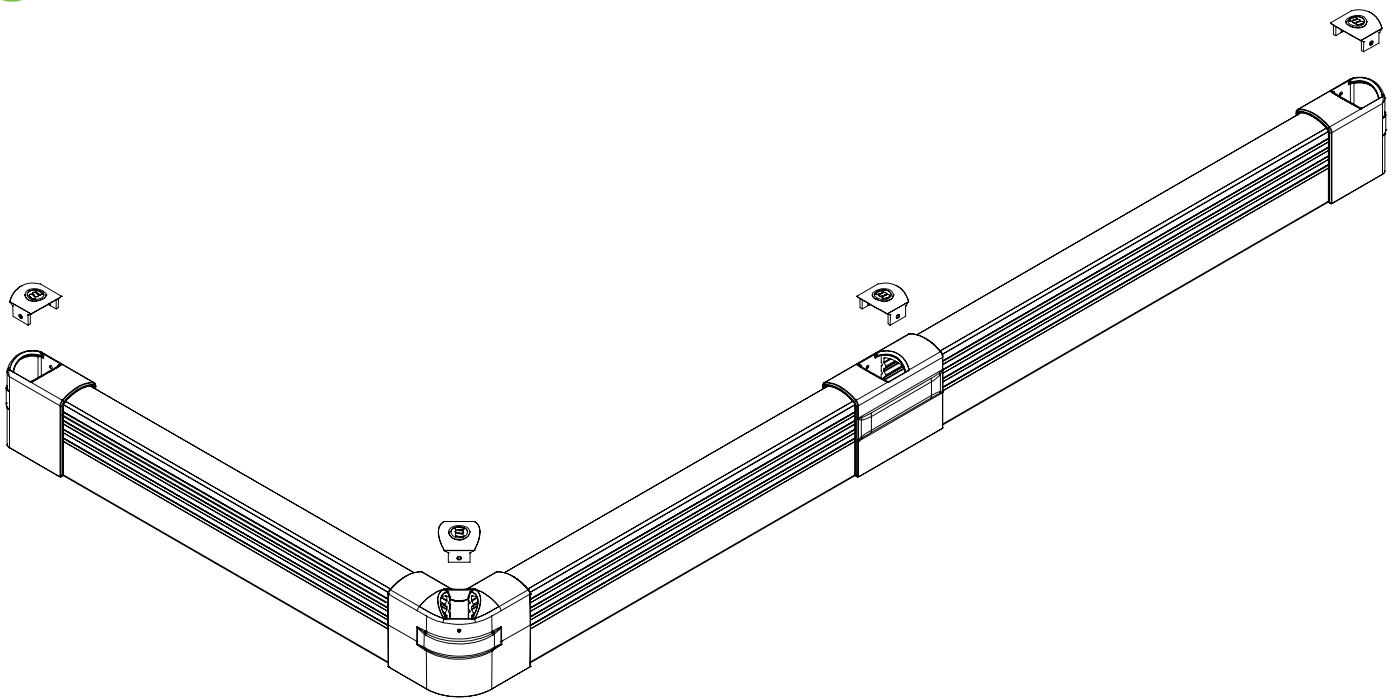
7



8



9



10

