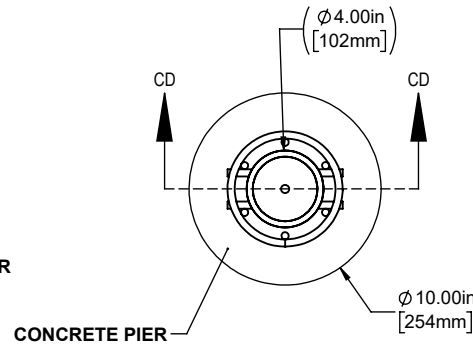
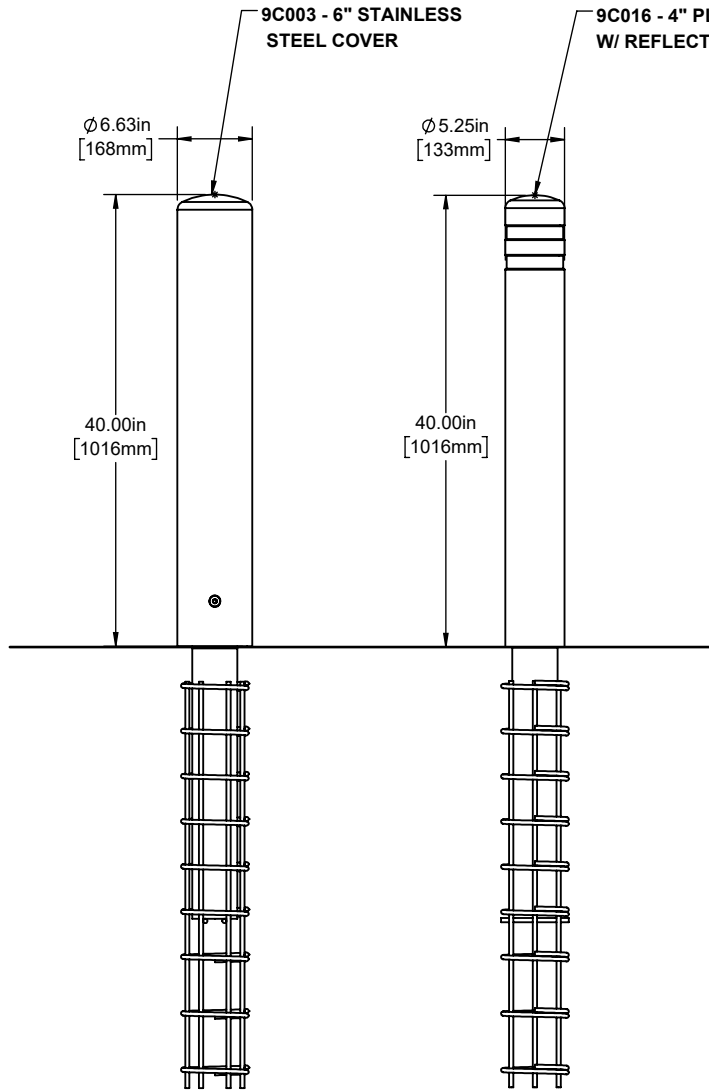
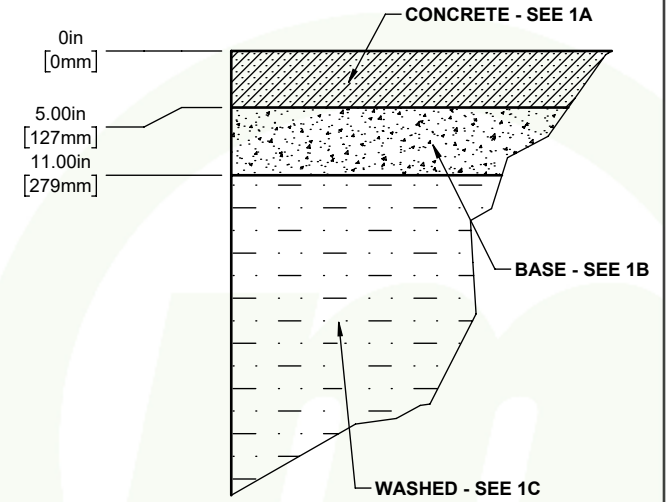
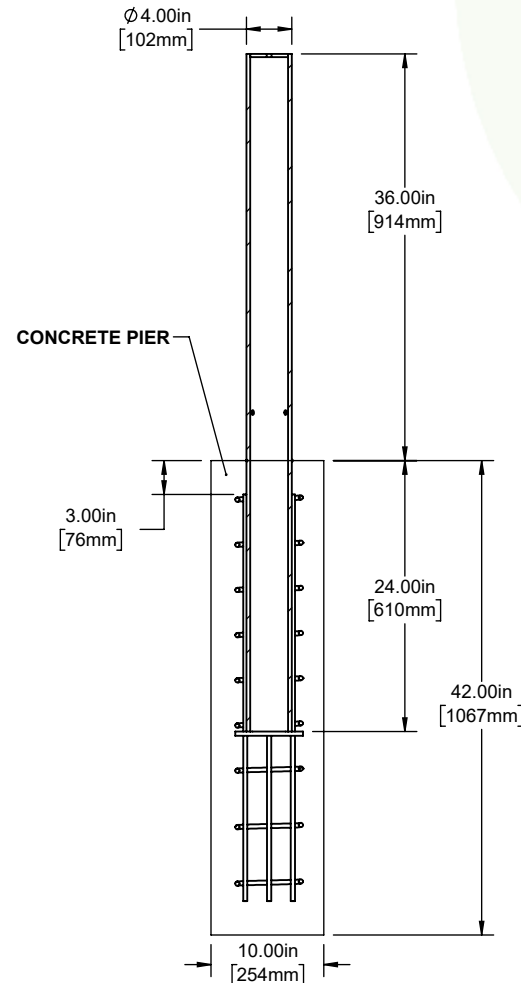


COVER OPTIONS



SECTION CD-CD



GROUND CONDITIONS

- 1a: The concrete is 3000 psi minimum unconfined compressive strength, with one layer of #3 (Ø3/8") rebar spaced at 12" each way, with 1-1/4" cover at bottom. Rebar not shown here.
- 5 1b: The base is Type A Grade 1 crushed limestone road base, compacted to 90% of standard proctor density.
- 5 1c: The washed sand shall be classified as SP - poorly graded sand & be compacted to a density of not less than 90% maximum dry density in accordance with AASHTO Method of Test T099.

Customer Drawing
CRASHCORE S10



McCue

McCue US
 (978) 741 8500
 CustomerCare@mccue.com

McCue UK
 +44 1908-365-511
 UKCServices@mccue.com

McCue China
 +86-592-2200 790
 ChinaOffice@mccue.com

mccue.com