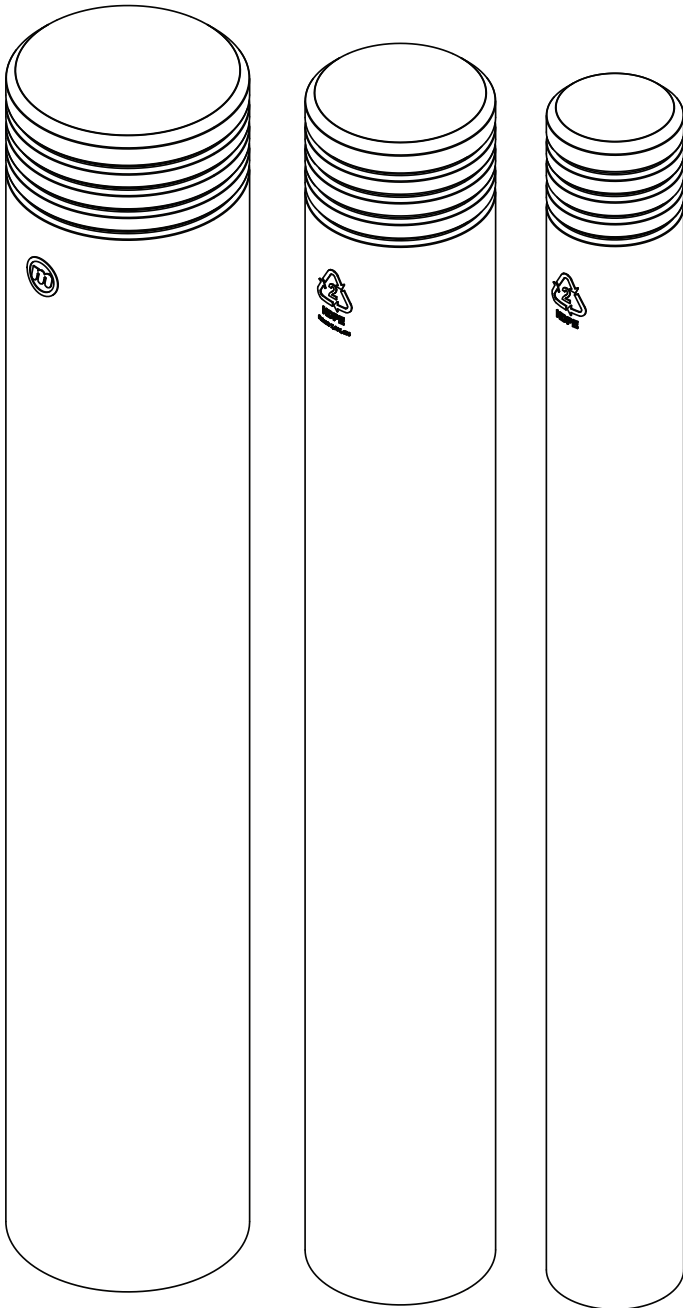


# FlexCore Bollard

## CONCRETE ANCHOR INSTALLATION



**FlexCore 8**

**FC8**

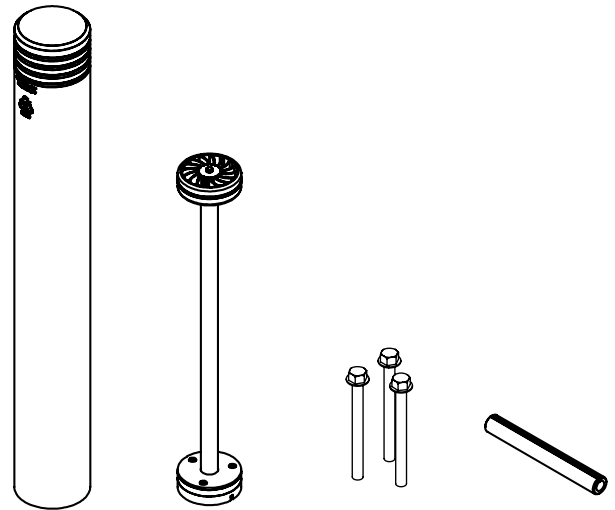
**FlexCore 6**

**FC6**

**FlexCore 4**

**FC4**

### Components



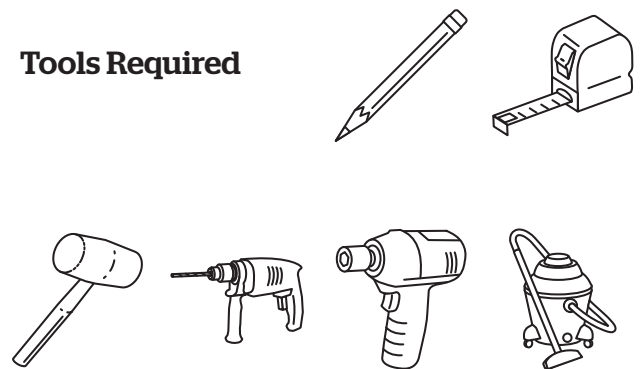
Shell

Core Assembly

Concrete Anchors (3)

Locking Pin

### Tools Required



**FC4** 19mm, 3/4"  
**FC6** 19mm, 3/4"  
**FC8** 24mm, 15/16"



**FC4** 12.7mm, 1/2"  
**FC6** 12.7mm, 1/2"  
**FC8** 15.9mm, 5/8"



**McCue Corporation**  
 Peabody, Massachusetts, USA  
 +1 (800) 800 8503  
 customercare@mccue.com

**McCue UK & Europe**  
 Milton Keynes, United Kingdom  
 +44 (0)1908 365 511  
 uksales@mccue.com

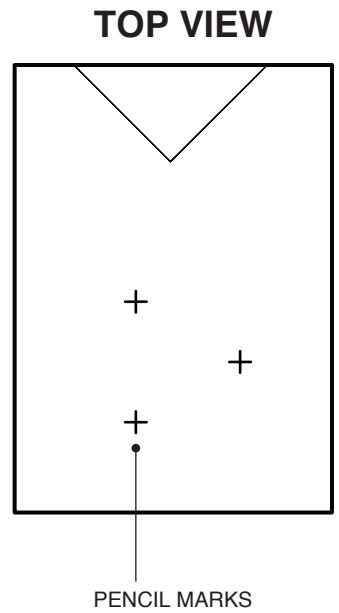
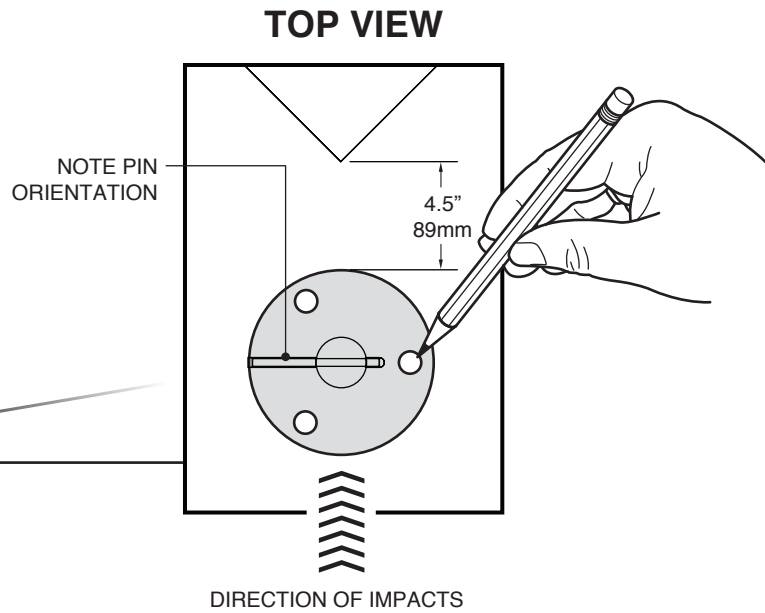
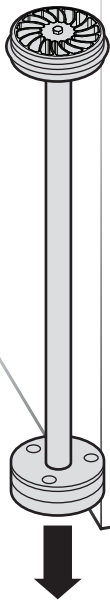
**McCue Asia**  
 迈客(厦门)有限公司  
 Xiamen, Fujian, China  
 +86-592-2200790

**mccue.com**





1

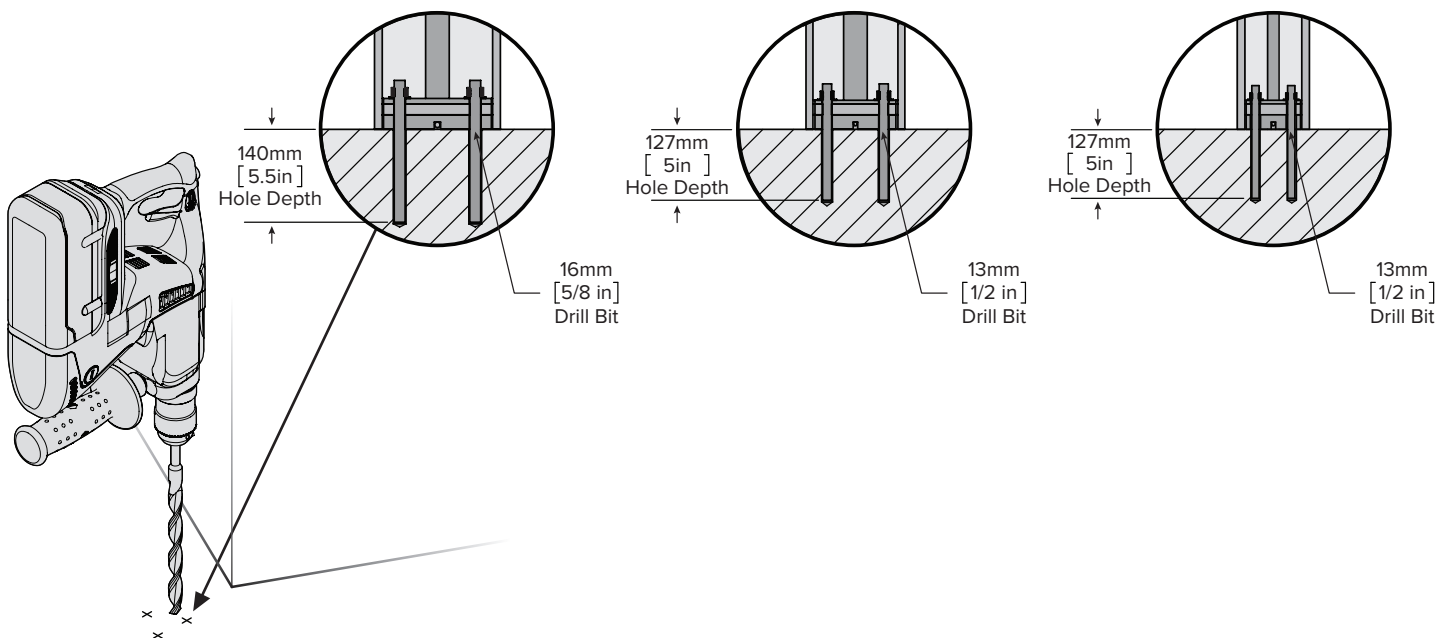


2

**FlexCore 8**

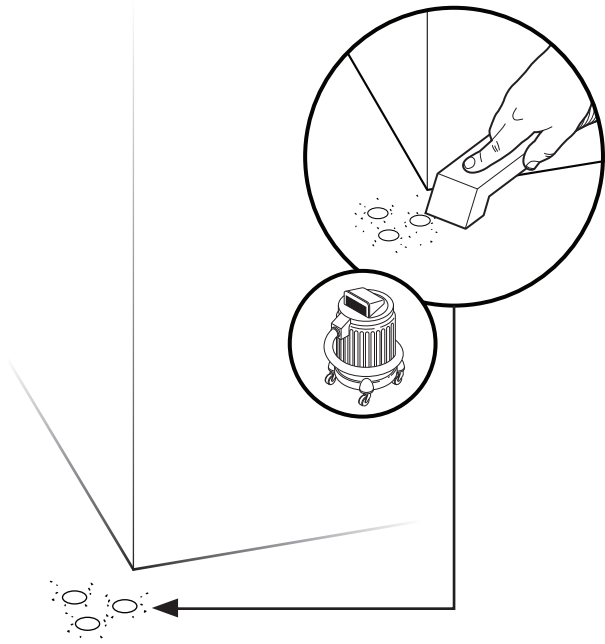
**FlexCore 6**

**FlexCore 4**

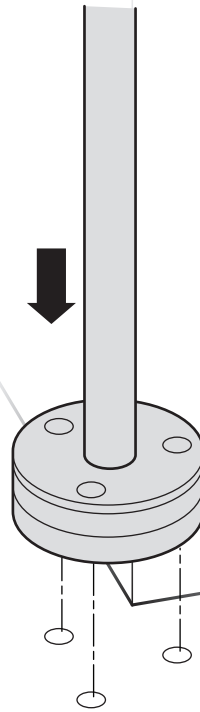




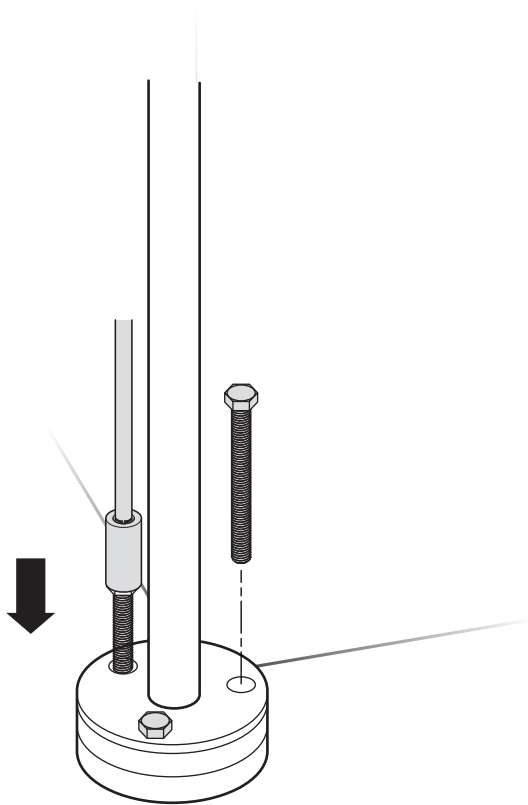
3



4



5

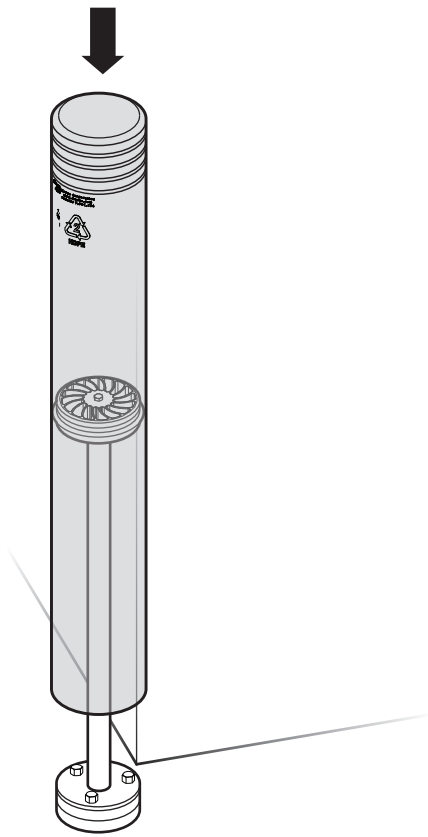


6

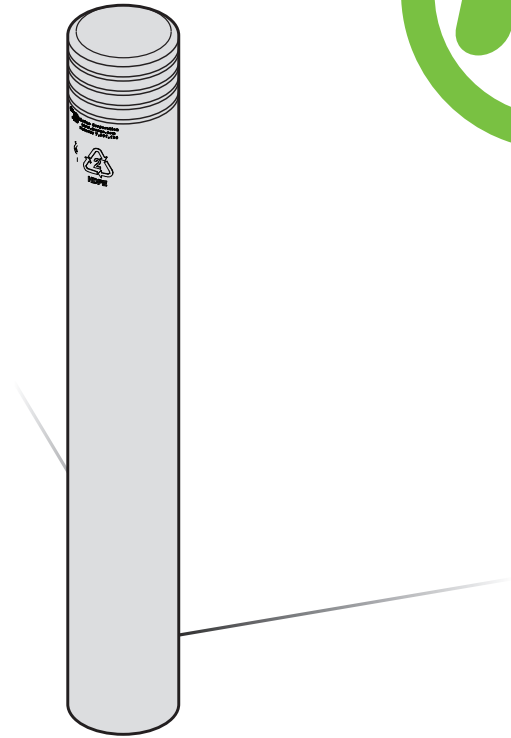




7



8



9

Optional

