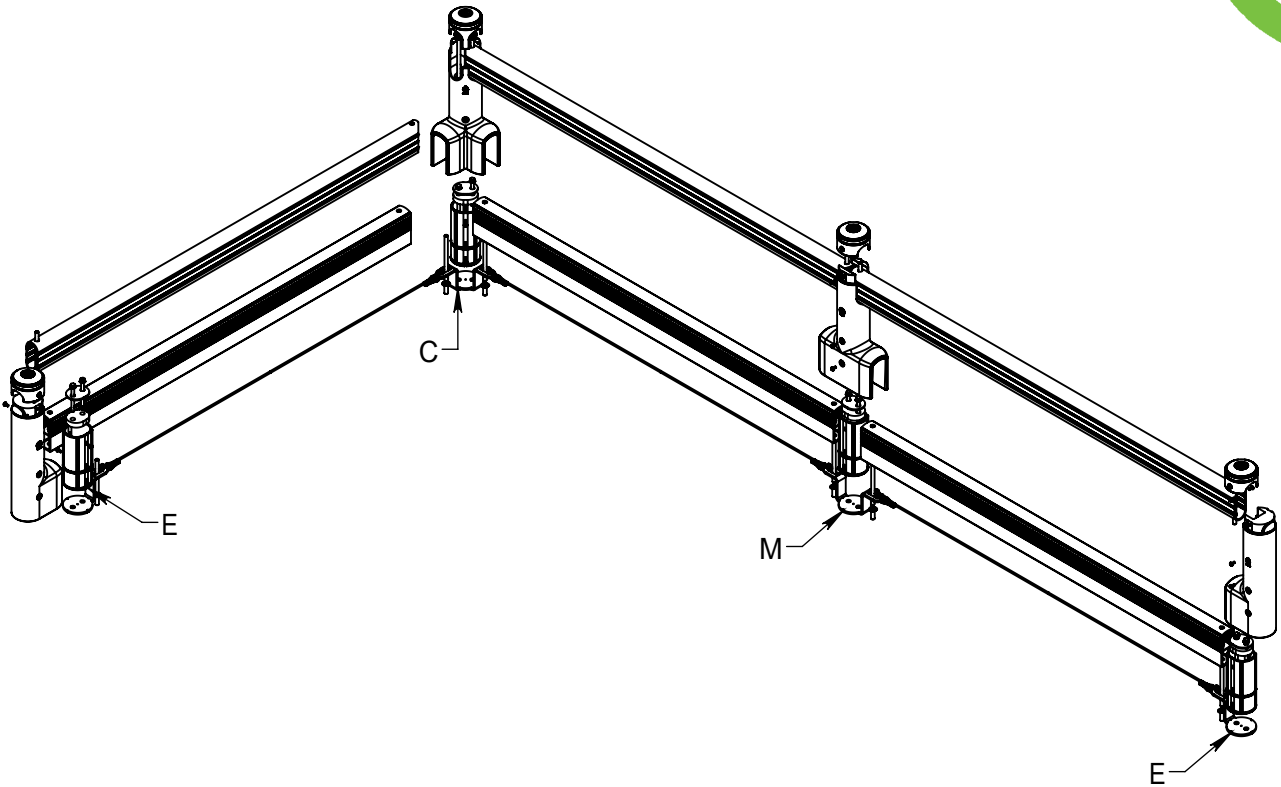
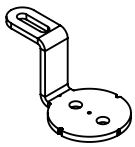


FLEXCORE GUARDRAIL PLUS+

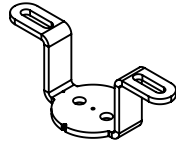
INSTALLATION INSTRUCTIONS



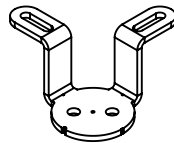
Components (varies by installation)



GR-C-ENDBRK



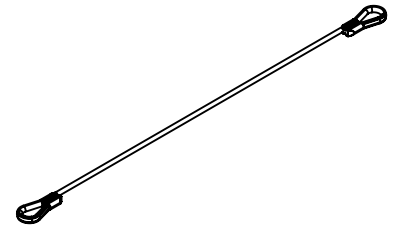
GR-C-MIDBRK



GR-C-CNRBRK



HW-C-SKL



GR-C-CBL-10
102.75"

Tools Required



Tape Measure



Marker



Chalk Line



Rotary Hammer



Masonry Drill Bit
5/8" [16mm]
1" [25mm]



Corded Drill



15/16" Socket & Extension



7/32" Hex Key



Drill with 7/32" Hex Bit



McCue Corporation
Peabody, Massachusetts, USA
+1 (800) 800 8503
customer@McCue.com

McCue UK & Europe
Milton Keynes, United Kingdom
+44 (0)1908 365 511
uksales@McCue.com

McCue Asia
迈客(厦门)有限公司
Xiamen, Fujian, China
+86-592-2200790

mccue.com





Modular Product

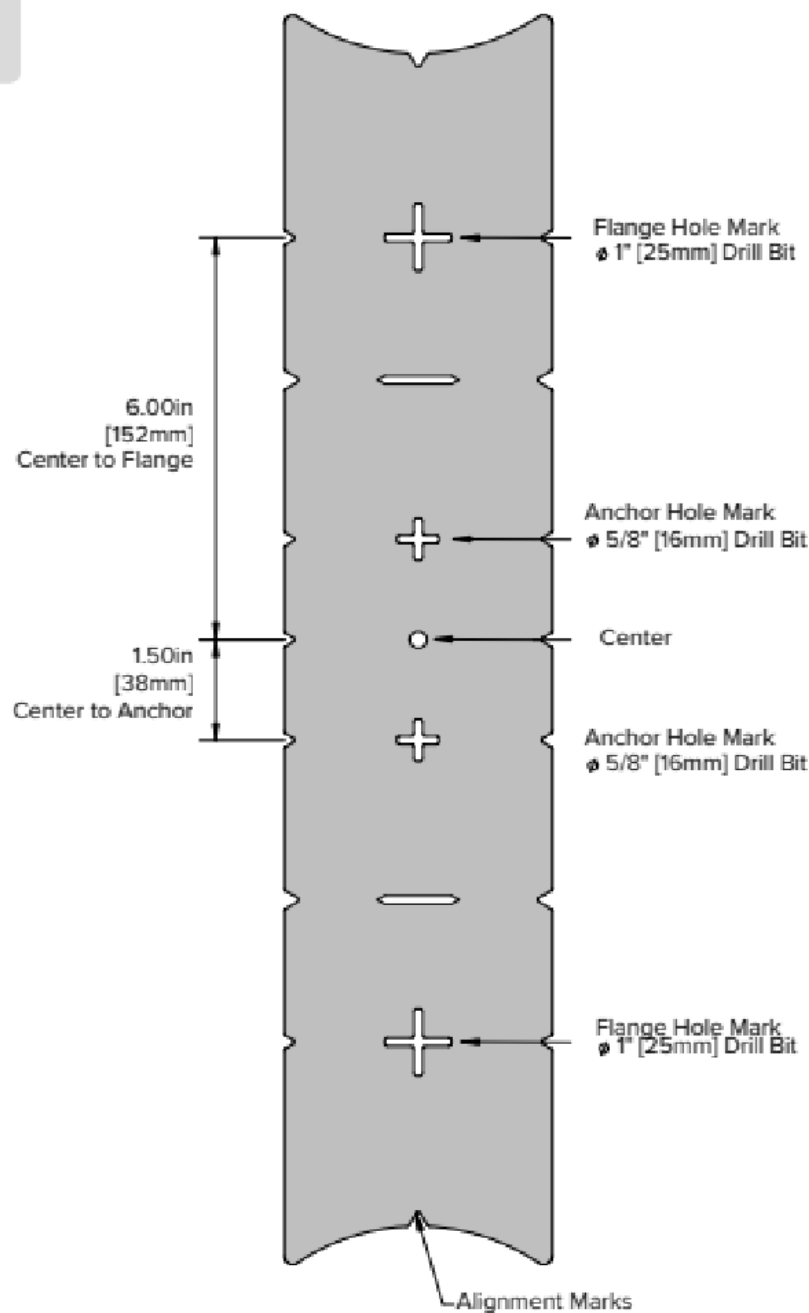
This is a modular Guardrail System and each installation requires it's own custom layout. Please read entire installation instructions before beginning your installation. If you require additional information, please contact McCue Customer Care for assistance.

Template Instructions

Use the included template to accurately mark hole locations for drilling. Steps that require the template will be labeled the template icon.

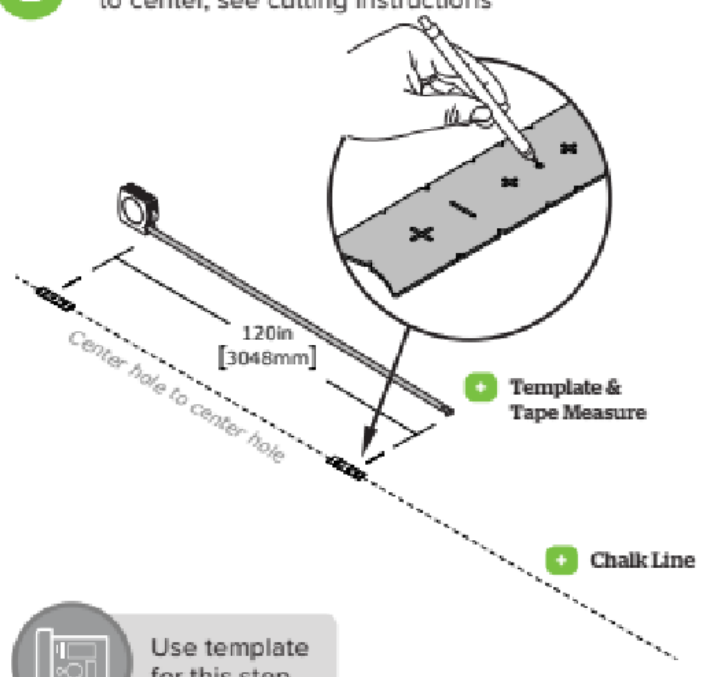


Use template for this step



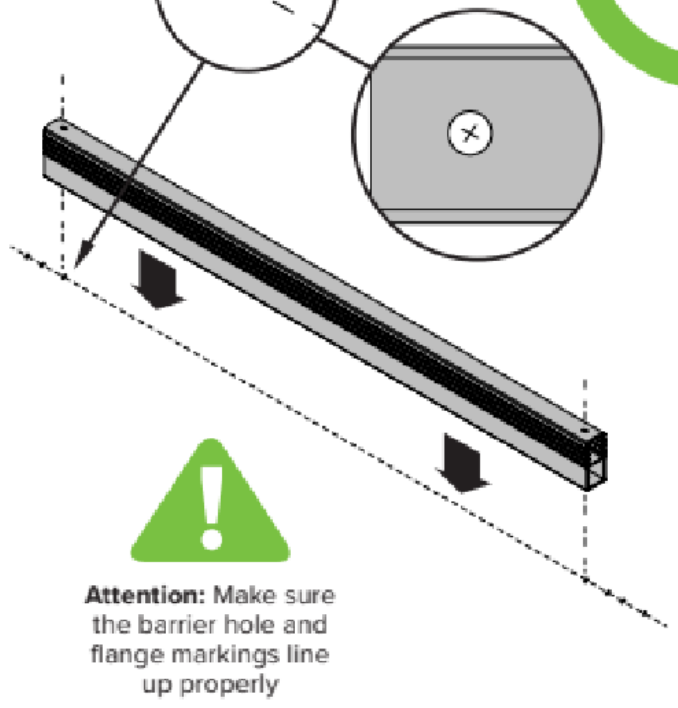


1 Attention: If section is less than 10' center to center, see cutting instructions

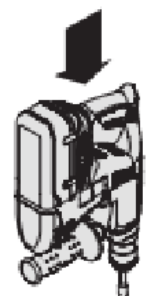
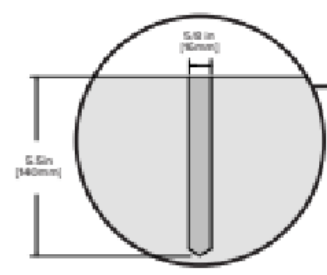
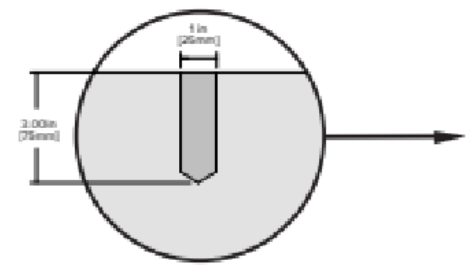



 Use template for this step

2 TOP VIEW



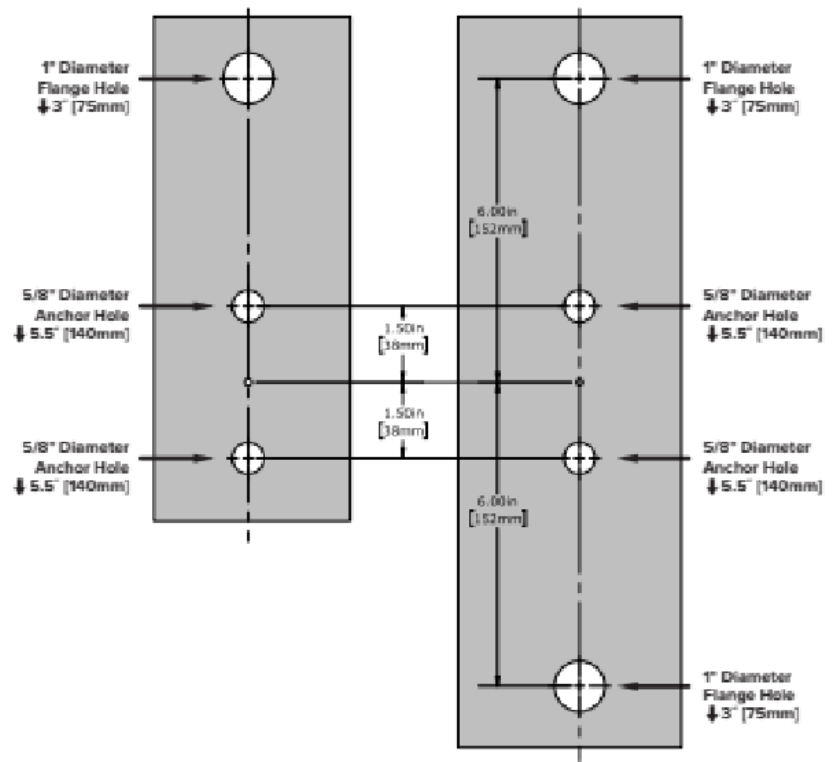
3



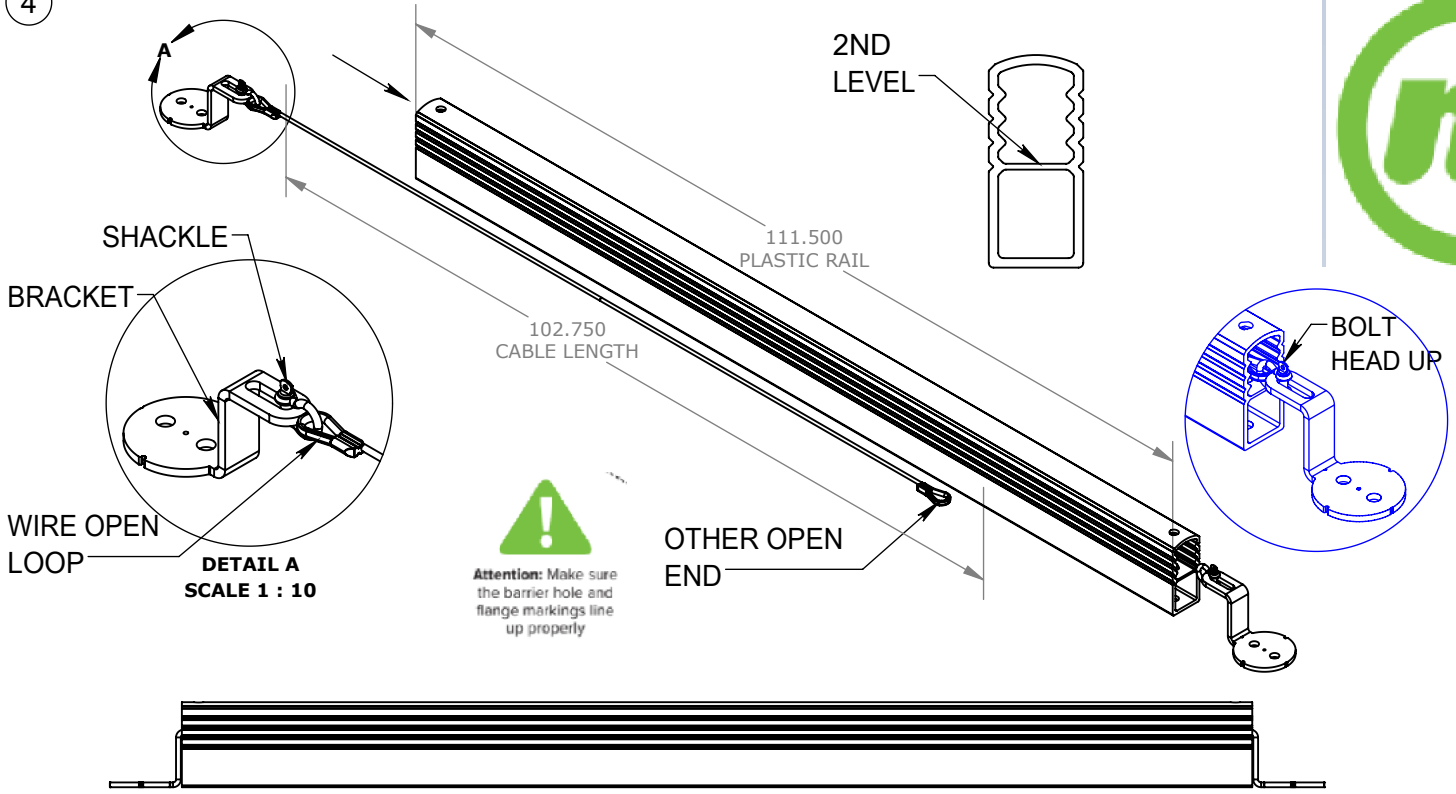
 Rotary Hammer with 1" & 5/8" Drill Bits

END POST TOP VIEW

MID POST TOP VIEW

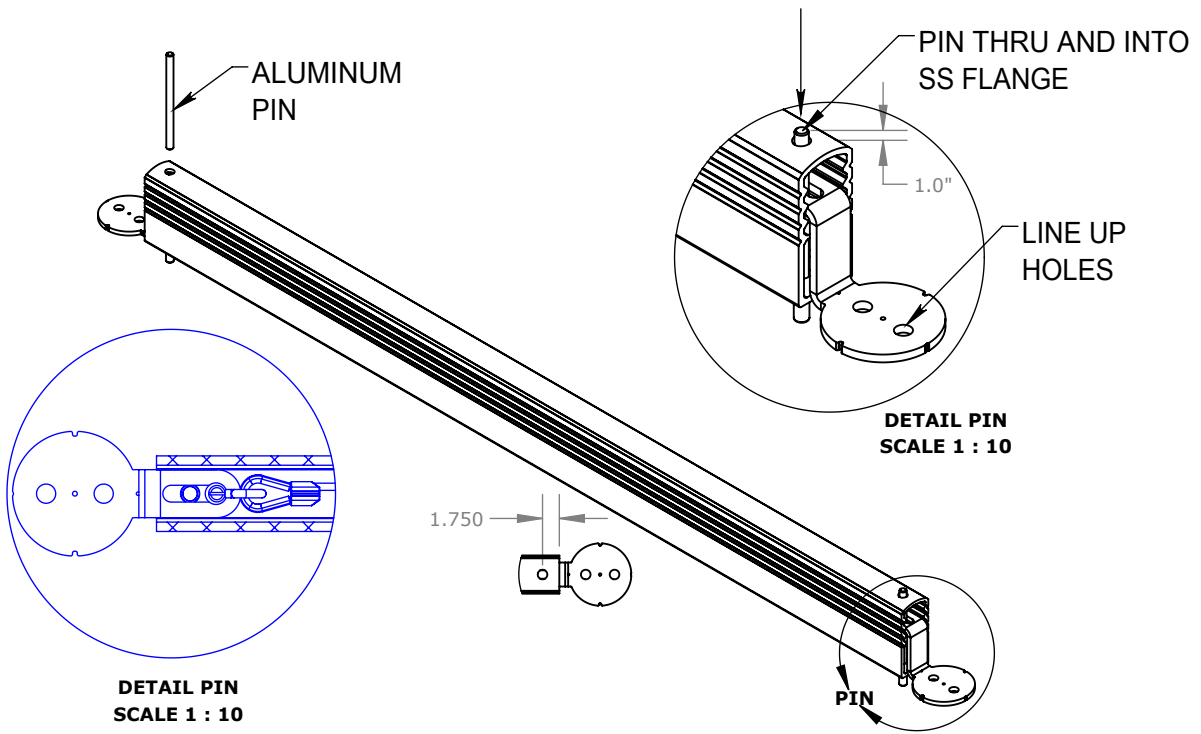


4



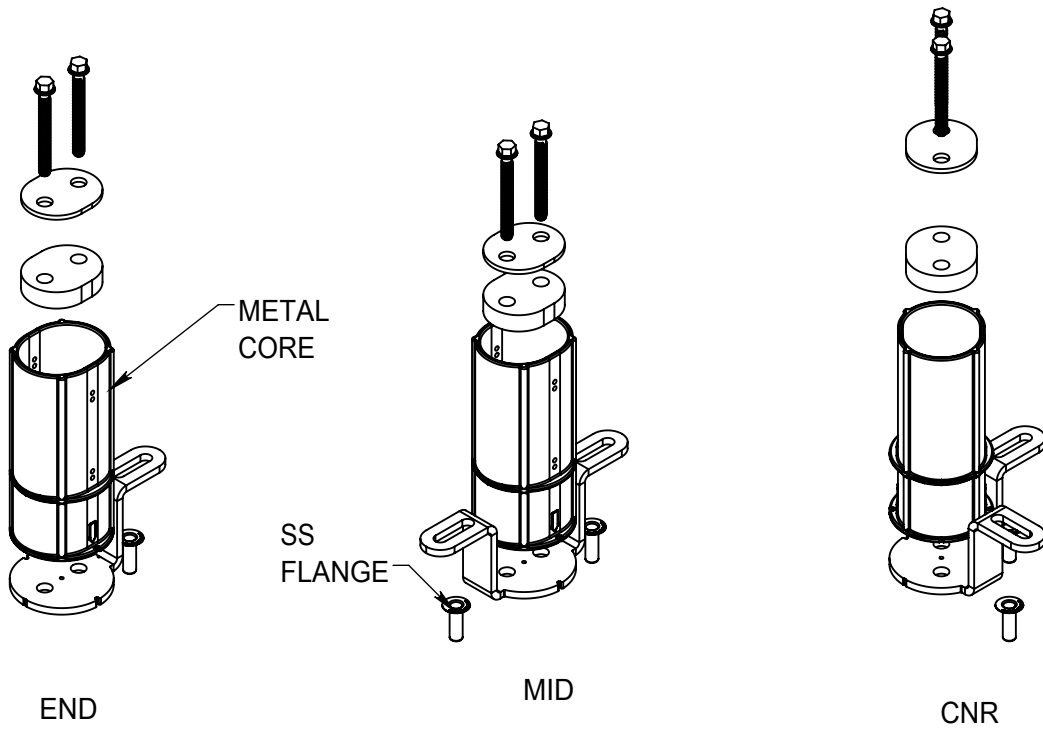
ATTACH CABLE WIRE OPEN LOOP TO BRACKET WITH (1) PROVIDED SHACKLE. BOLT HEAD FACES UP AS SHOWN IN DETAIL -A-. SLIDE THE OTHER OPEN END OF THE WIRE CABLE INTO THE 2ND CAVITY OF PLASTIC RAIL ALL THE WAY POSSIBLE.. TO EASE THE OPPOSITE END, SLIDE BRACKET INTO PLASTIC RAIL TO EXTEND THE CABLE A FEW EXTRA INCHES. ATTACH OTHER OPEN CABLE WIRE LOOP TO BRACKET WITH (1) PROVIDED SHACKLE. BOLT HEAD FACES UP.

5

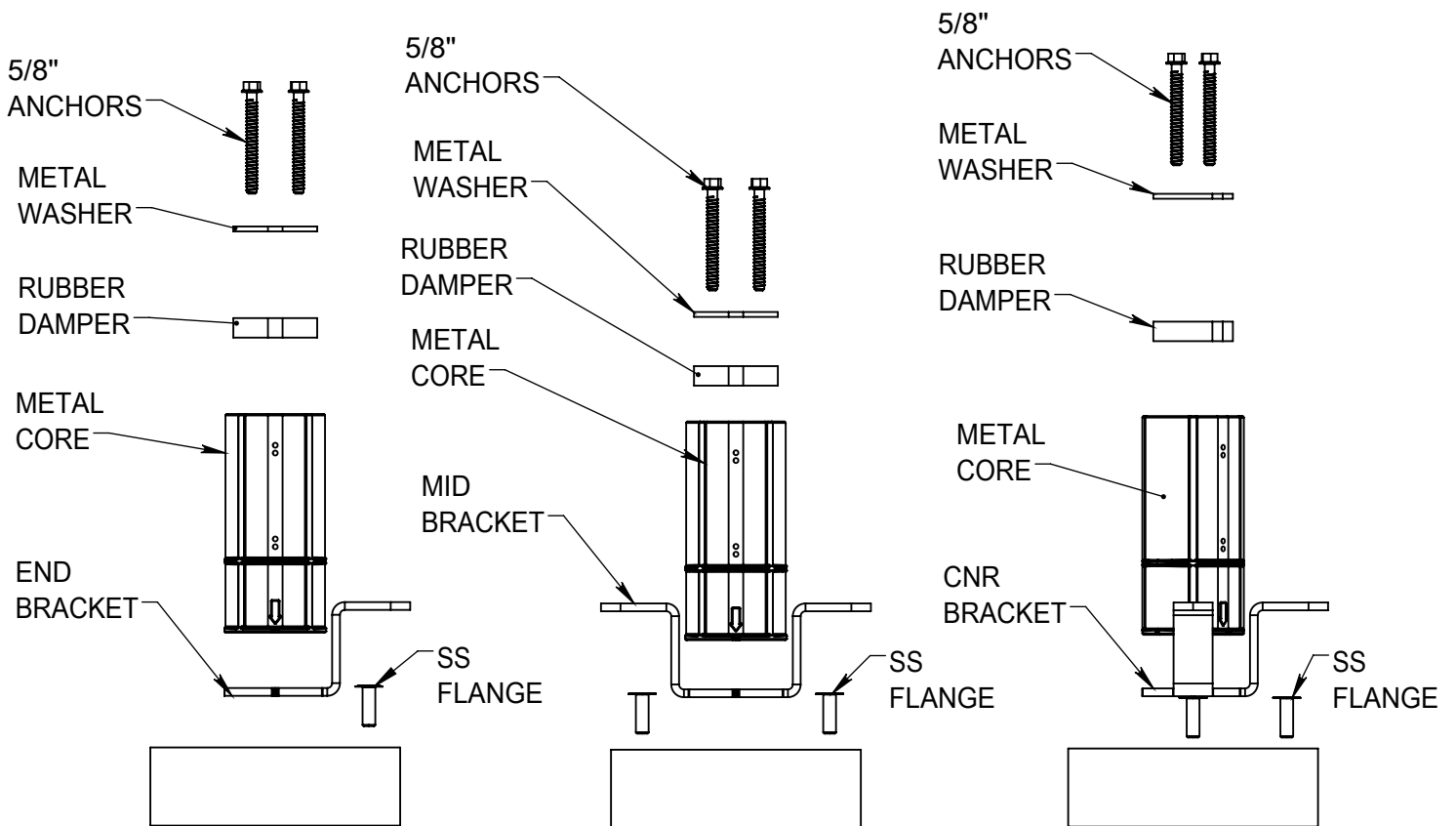


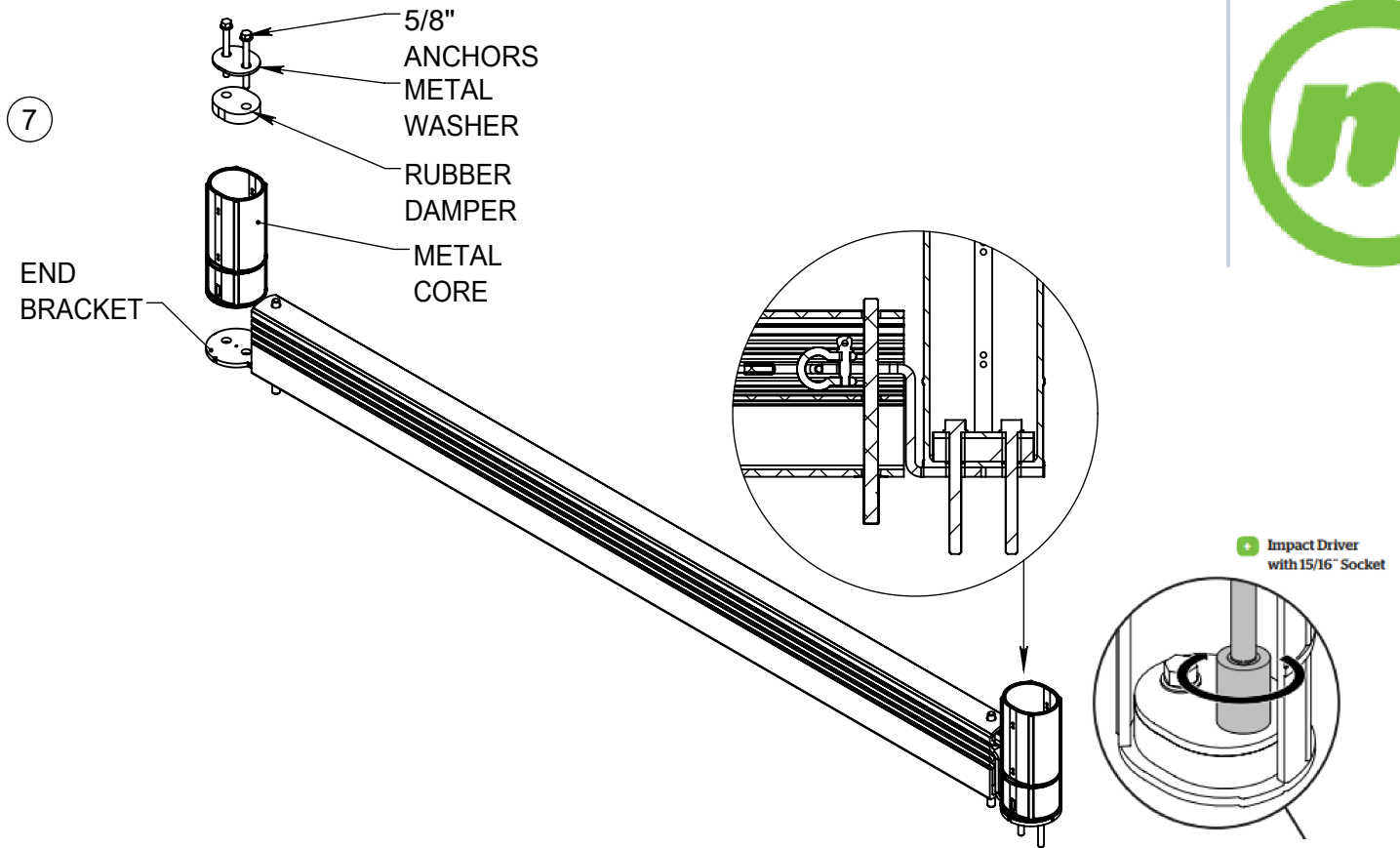
SLIDE PINS THRU PLASTIC RAIL AND BRACKETS ALL THE WAY DOWN INTO SS FLANGES, UNTIL IT BOTTOMS OUT. NOTE; THE PIN WILL SIT ABOUT 1" ABOVE THE PLASTIC RAIL WHEN FULLY ENGAGED.

6



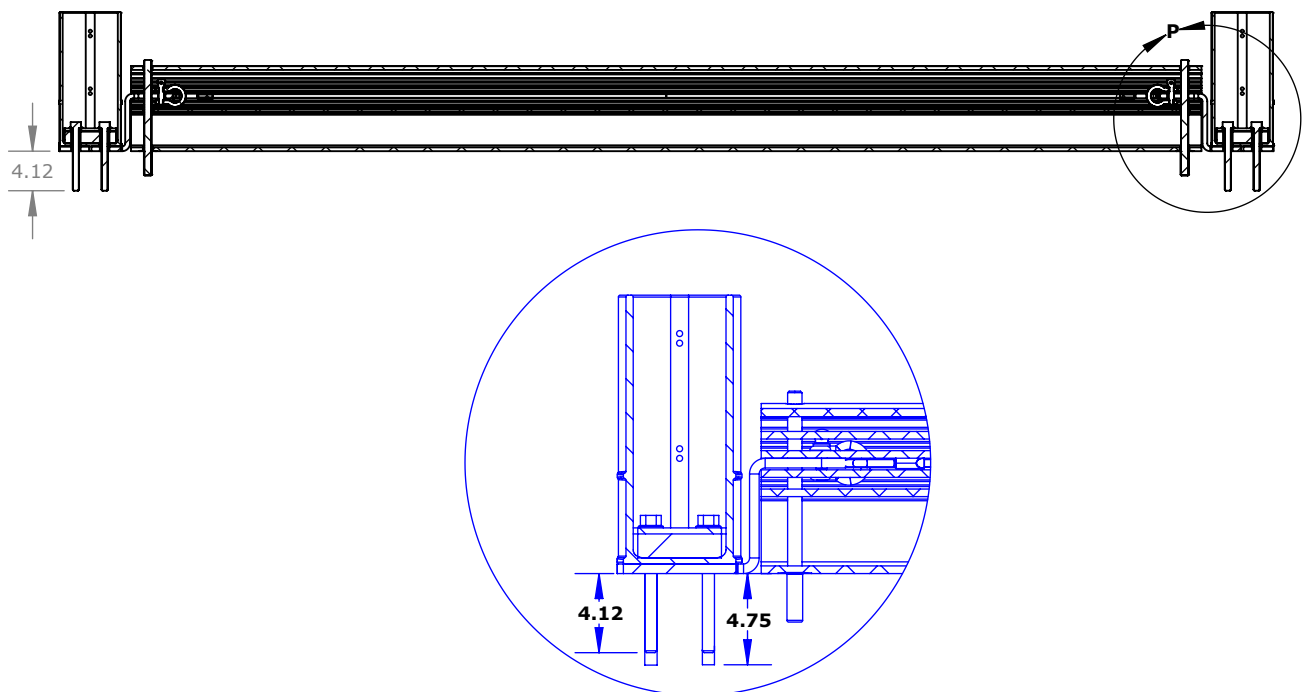
NOTICE HOW THE METAL CORE WILL SIT ON TOP OF THE PLUS+ CABLE BRACKETS.

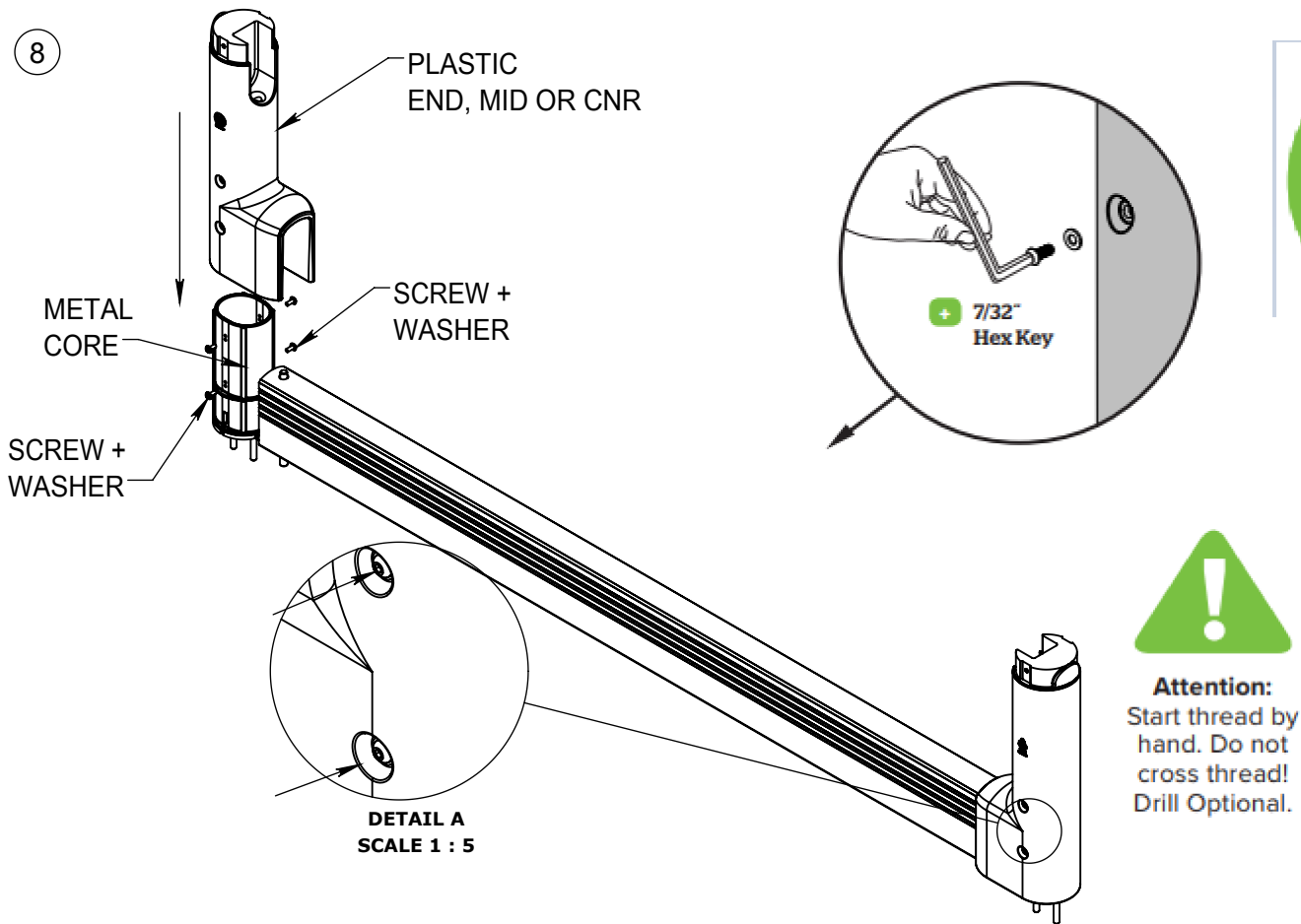




SLIDE METAL CORE ONTO BRACKETS WITH HOLES LINED UP. SLIDE RUBBER DAMPER FOLLOW BY METAL WASHER AND 5/8" DIAMETER CONCRETE ANCHORS AS SHOWN. SECURE CONFIGURATION USING AN IMPACT DRIVER WITH A 15/16" HEX SOCKET AND EXTENDER UNTIL FLUSH AND TIGHT. CHECK THE STIFFNESS OF THE INSTALLATION BY MAKING SURE IT'S STIFF TO THE TOUCH.

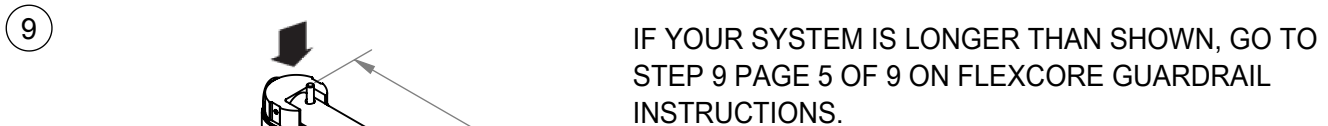
THE ANCHORS DEPTH INTO THE GROUND IS ABOUT 4.12" BUT THE HOLE NEEDS TO BE DEEPER AT 4.75" MINIMUM.





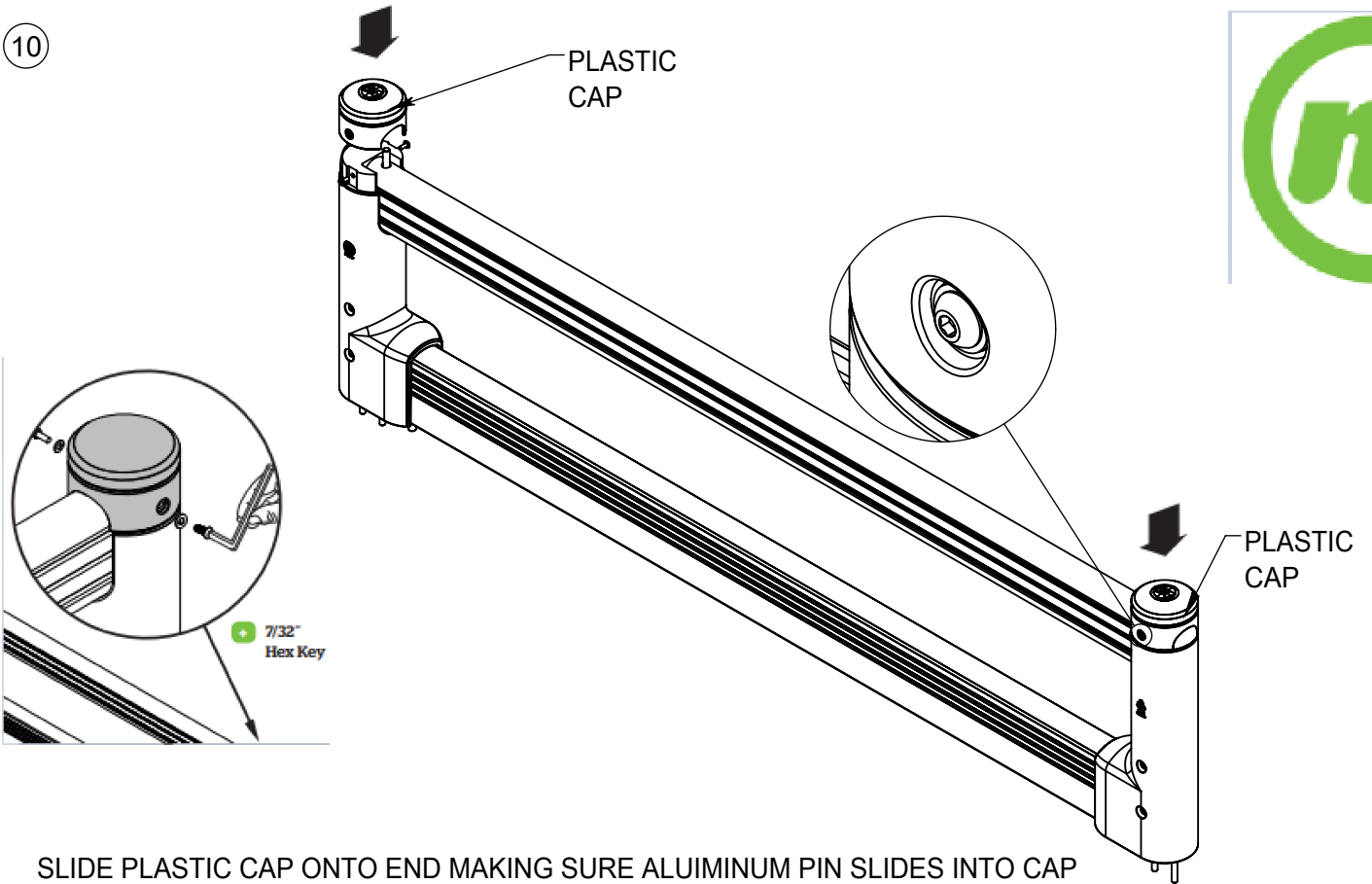
SLIDE PLASTIC END ONTO METAL CORE UNTIL FLUSH WITH GROUND AND MAKING SURE PIN SLIDES INTO PLASTIC RECESS. SECURE EACH PLASTIC END, MID OR CNR WITH (4) WASHERS, (4) 3/8-16X 1.0" BUTTON HEAD SCREWS. START THREADING BY HAND AND THEN USING A 7/32" ALLEN KEY TO TIGHTEN FLUSH.

THE USE OF A 3/8-16 TAP MIGHT BE NECESSARY AS WELL FOR DRILL BIT FOR MAKING A CLEARANCE HOLE TO GET THE SCREW STARTED.



SLIDE GUARD PLASTIC TOP RAIL 199" LONG INTO THE ENDS. INSERT ALUMIINIUM PINS WHERE SHOWN.

10



SLIDE PLASTIC CAP ONTO END MAKING SURE ALUMINUM PIN SLIDES INTO CAP HOLES. SECURE EACH CAP WITH (2) 3/8-16X1.0 BUTTON HEAD SCREWS AND (2) WASHERS. TIGHTEN WITH A 7/32" HEX ALLEN KEY. GO OVER ENTIRE SYSTEM TO ENSURE ALL HOLES HAVE A SCREW AND WASHER.

11

