



Providing a sleek look & reliable protection!

A high-impact, 90° rubber corner redirects impact energy by deflecting damaging blows away from your expensive store fixtures.

Innovative Rubber corners provide 90° of protection and eliminate the need for additional corner protection

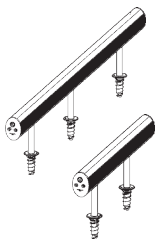
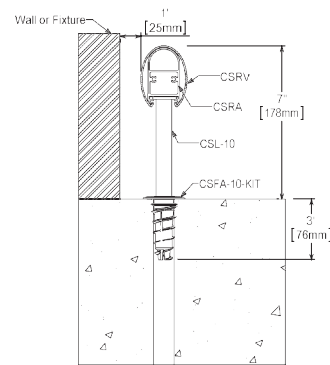
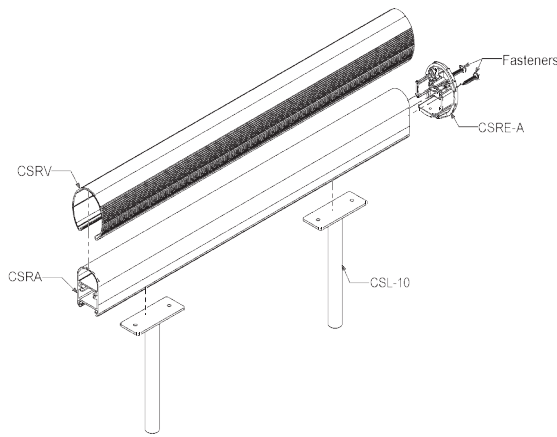
Adjustable Roller corners adjust to fit a variety of wedge-shaped cases & fixtures

Removable Can be removed for easy floor cleaning & maintenance



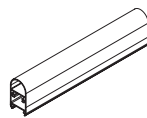


A floor-mounted rail system that is reversible for twice the life!



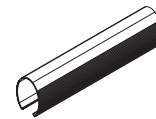
Pre-Assembled CartStop RE System

- CSR-4A-COLOR (4')
- CSR-8A-COLOR (8')
- CSR-12A-COLOR (12')



Aluminum Extrusion

CSRA-143F
Sold in 143" lengths



Bumper Cover

CSRv-COLOR
Sold in 12' lengths



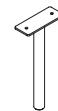
Aluminum End Cap

CSRE-A
With Self Tapping Screws



Black Rubber 90° Corner

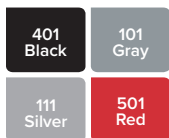
CSRC-RUB



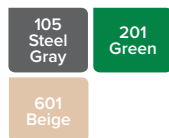
Stainless Leg

CSL-10
Stainless Steel with set screws

* Individual components available. Call Customer Service for additional inquiries.



Stock Colors
Available to ship within 2 weeks.



Standard Colors
Available to ship within 4 weeks.



Custom Color Matching
Pre-matched colors ship within 5 weeks. Otherwise allow 6-8 weeks for delivery. Minimums may apply.

U.S. Patent Numbers: 5891534, 6991413



McCue Corporation
Peabody, MA 01960, USA
+1 (800) 800 8503
customer@McCue.com

McCue UK & Europe
Milton Keynes, United Kingdom
+44 (0)1908 365 511
uksales@mccue.com

McCue Asia
迈客(厦门)有限公司
Xiamen, Fujian, China
+86-592-2200790

mccue.com

