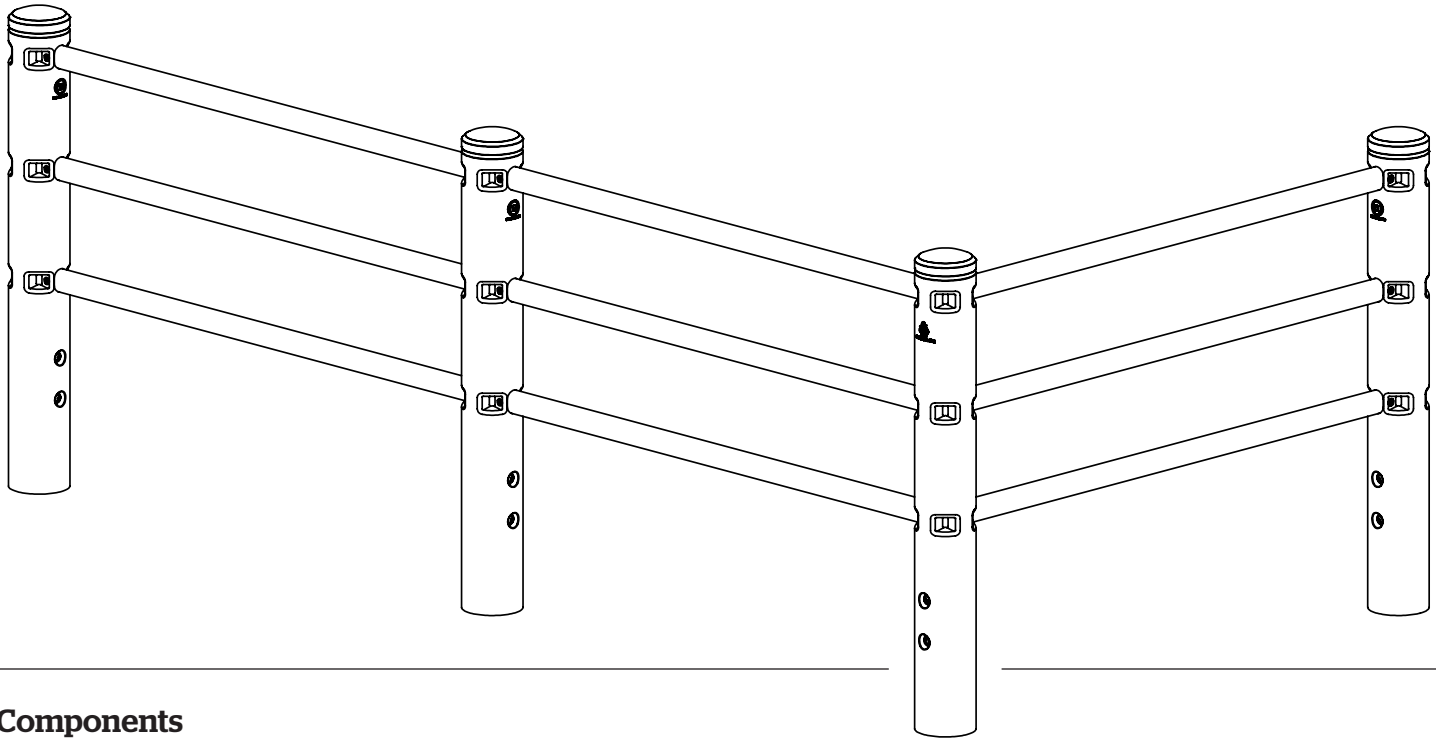
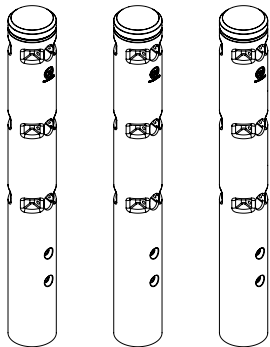


# Pedestrian Barrier

## INSTALLATION INSTRUCTIONS



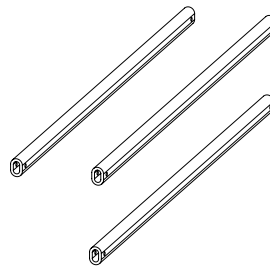
### Components



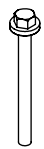
Post Options



Core Kit



Rails

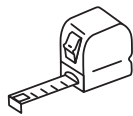
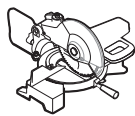


Concrete Anchor

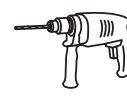
### Tools Required



x2



16mm (5/8 in)



24mm (15/16 in)



#### McCue Corporation

Peabody, Massachusetts, USA  
+1 (800) 800 8503  
customercare@mccue.com

#### McCue UK & Europe

Milton Keynes, United Kingdom  
+44 (0)1908 365 511  
uksales@mccue.com

#### McCue Asia

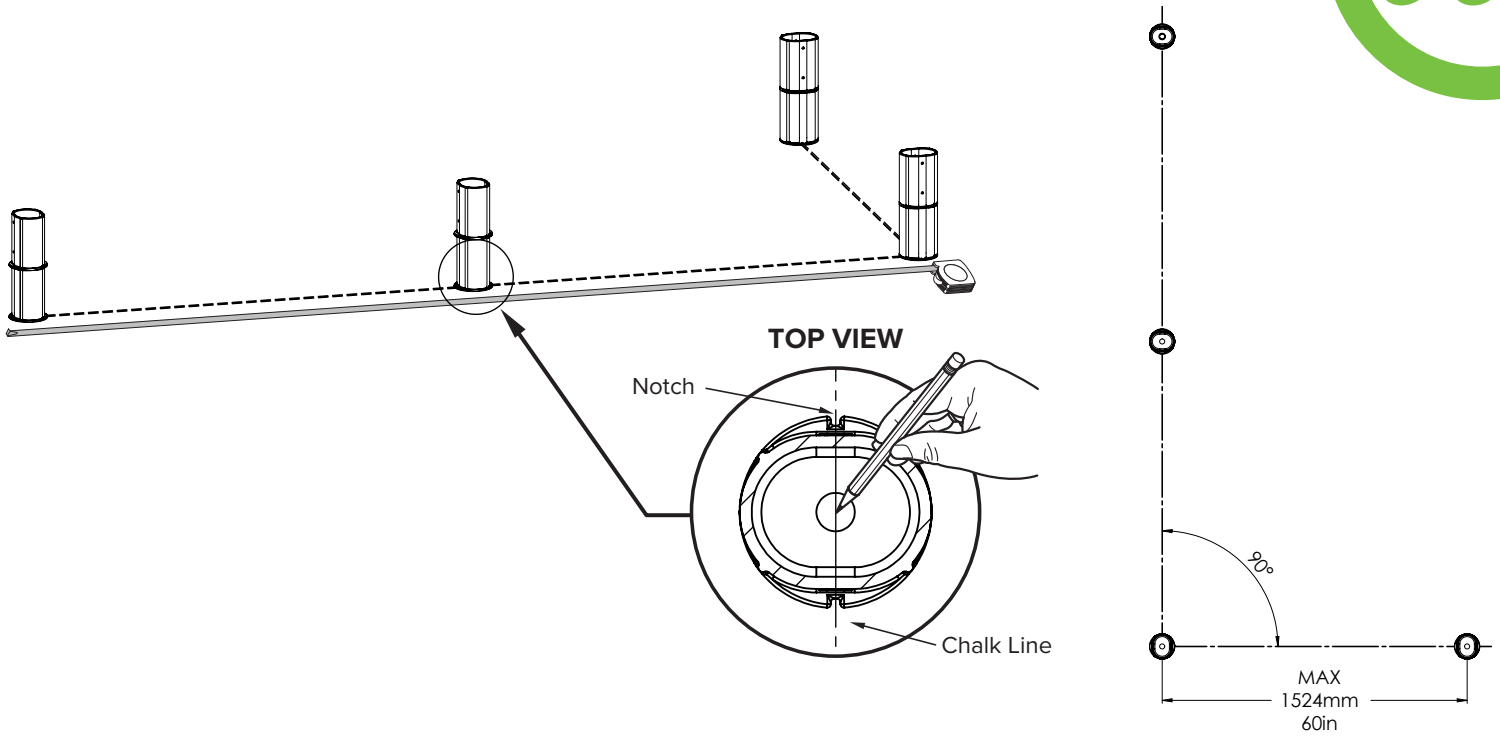
迈客(厦门)有限公司  
Xiamen, Fujian, China  
+86-592-2200790

[mccue.com](http://mccue.com)

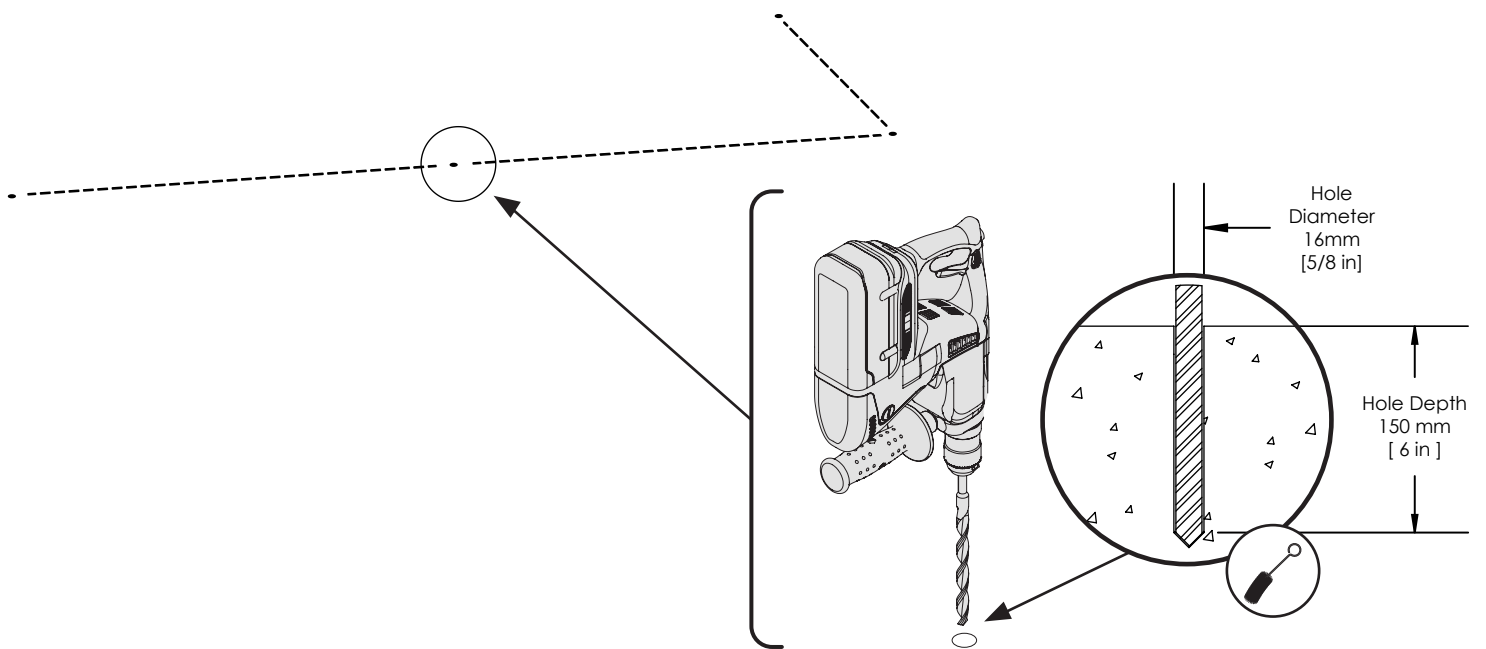




1

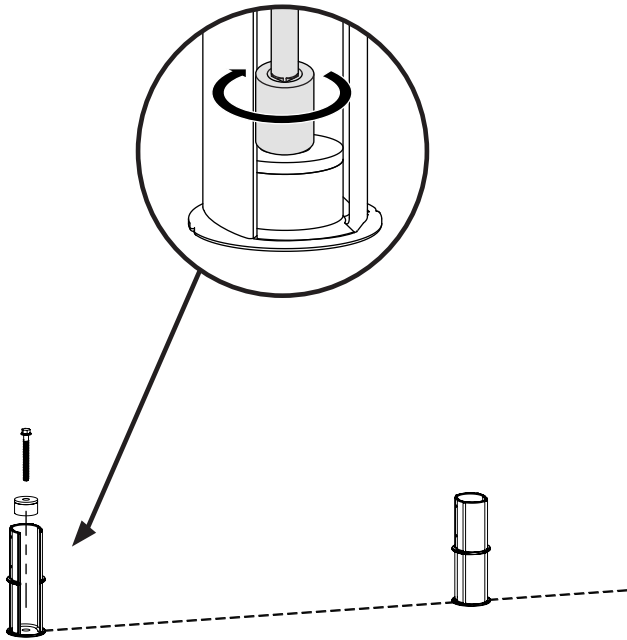


2

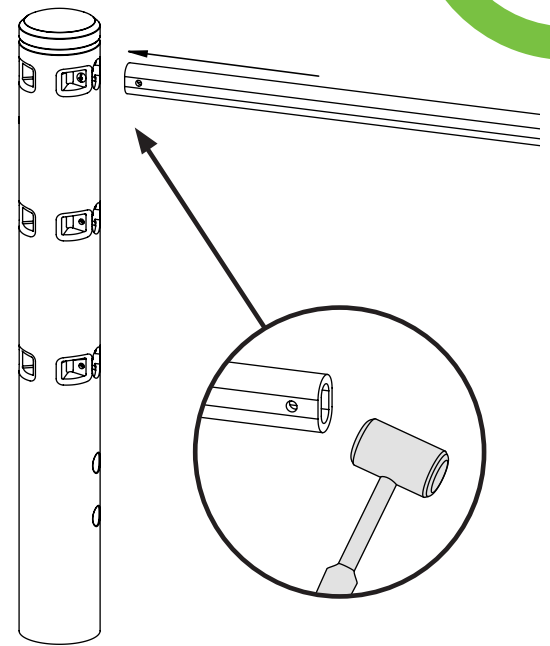




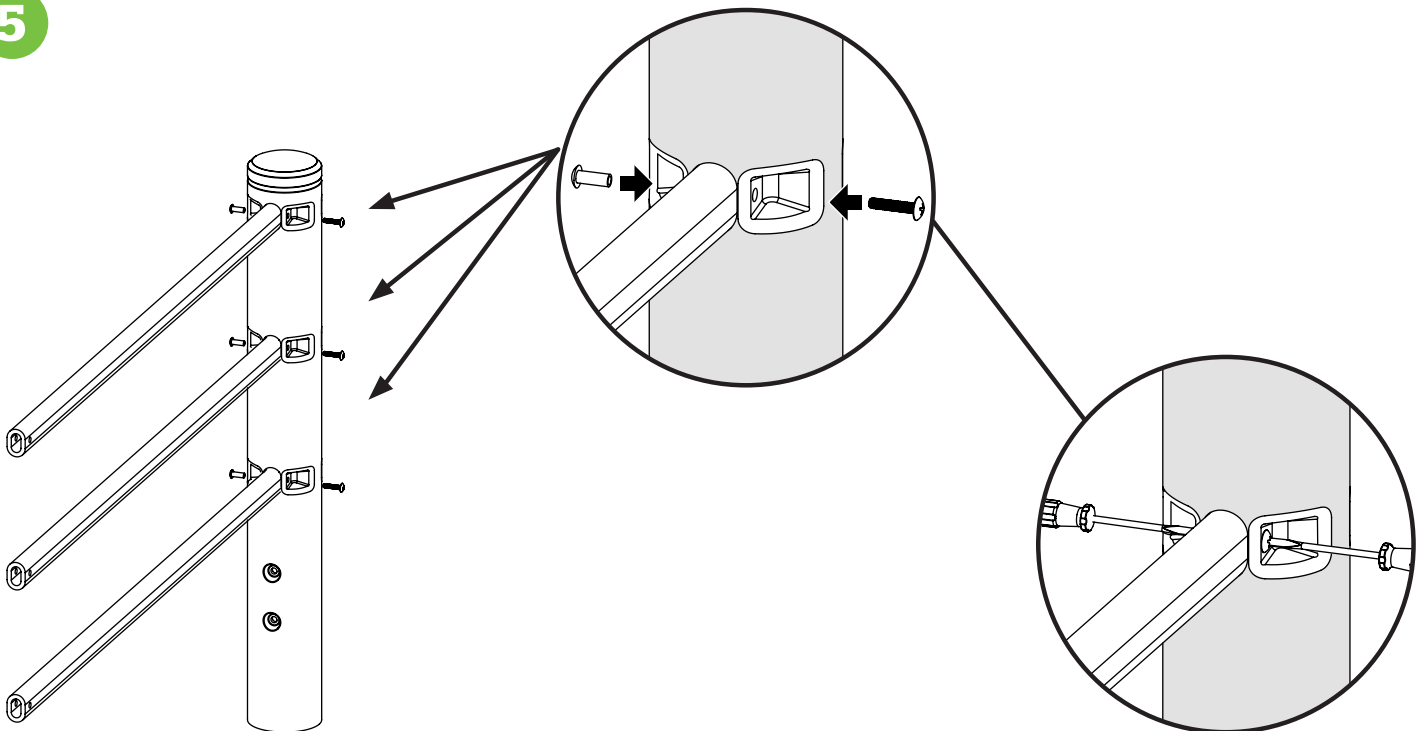
3



4

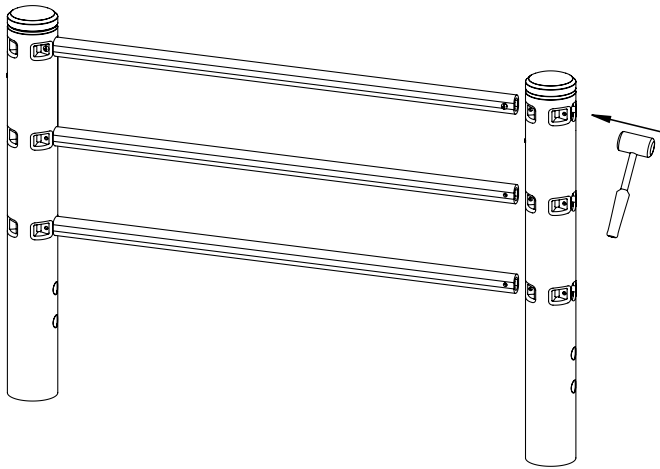


5

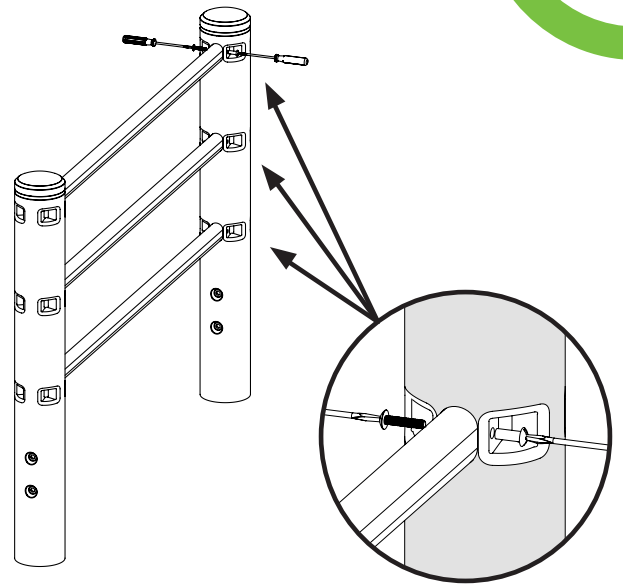




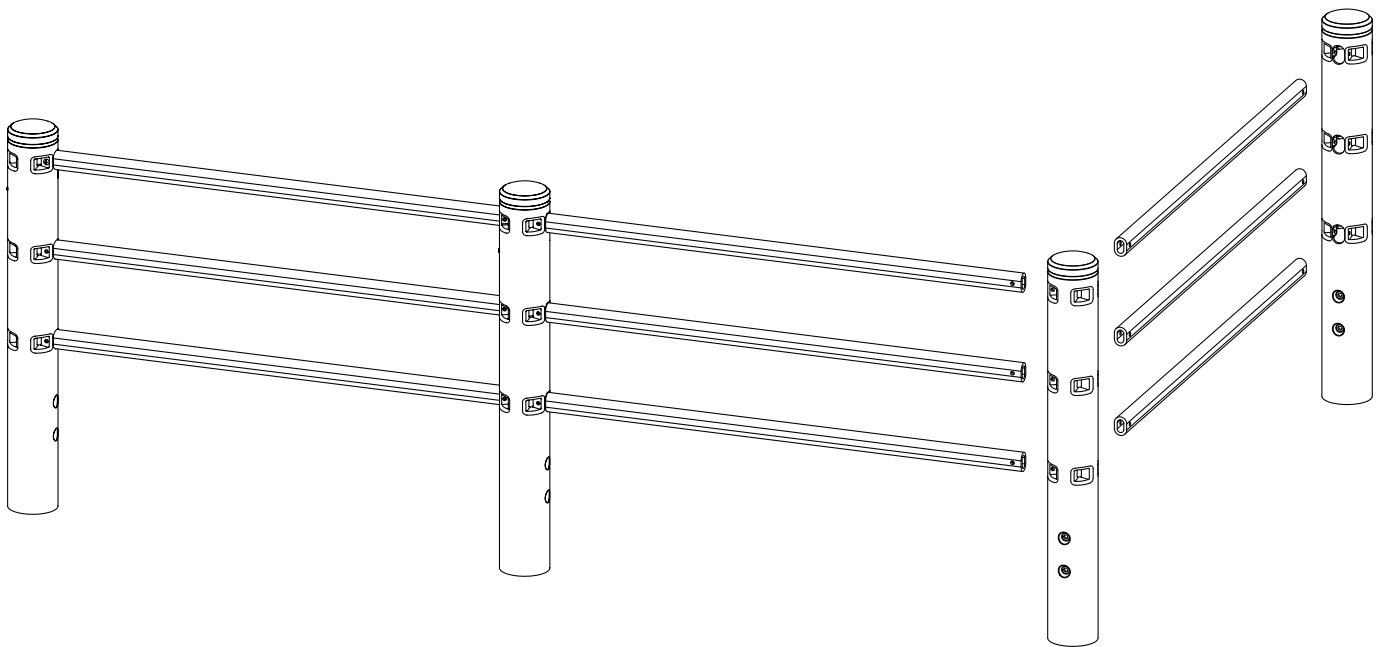
6



7

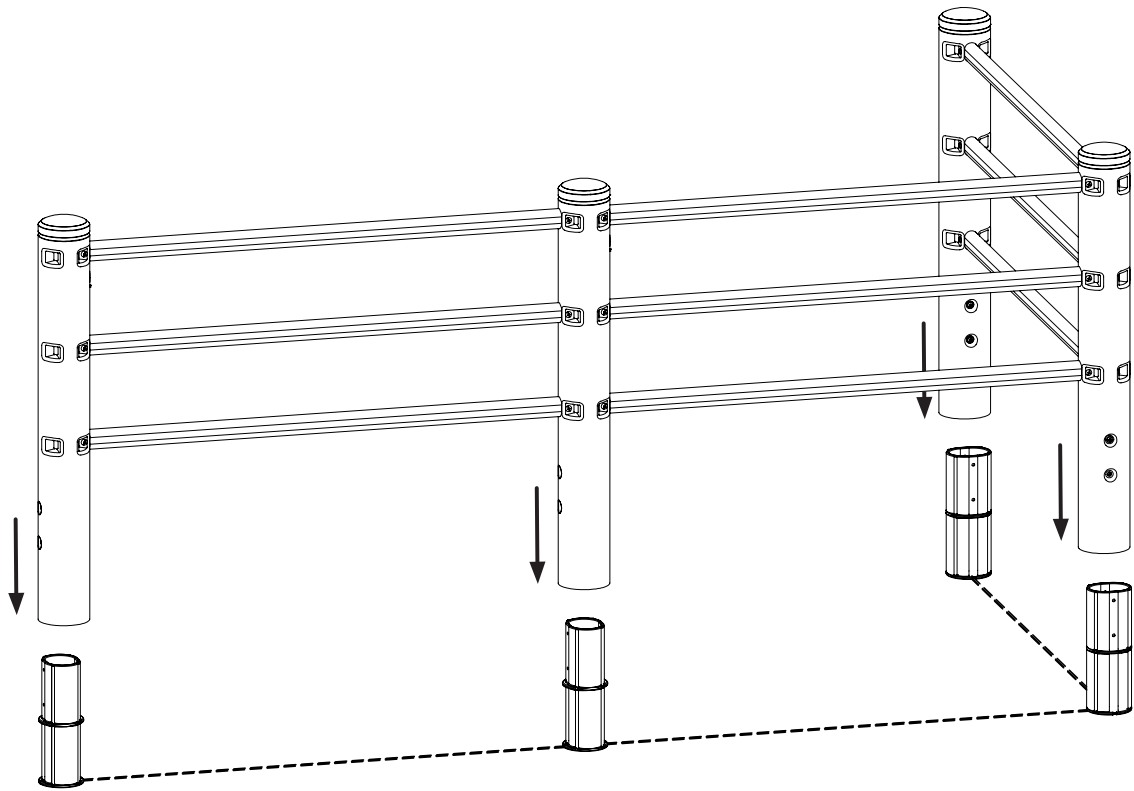


8





9



10

