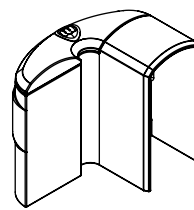
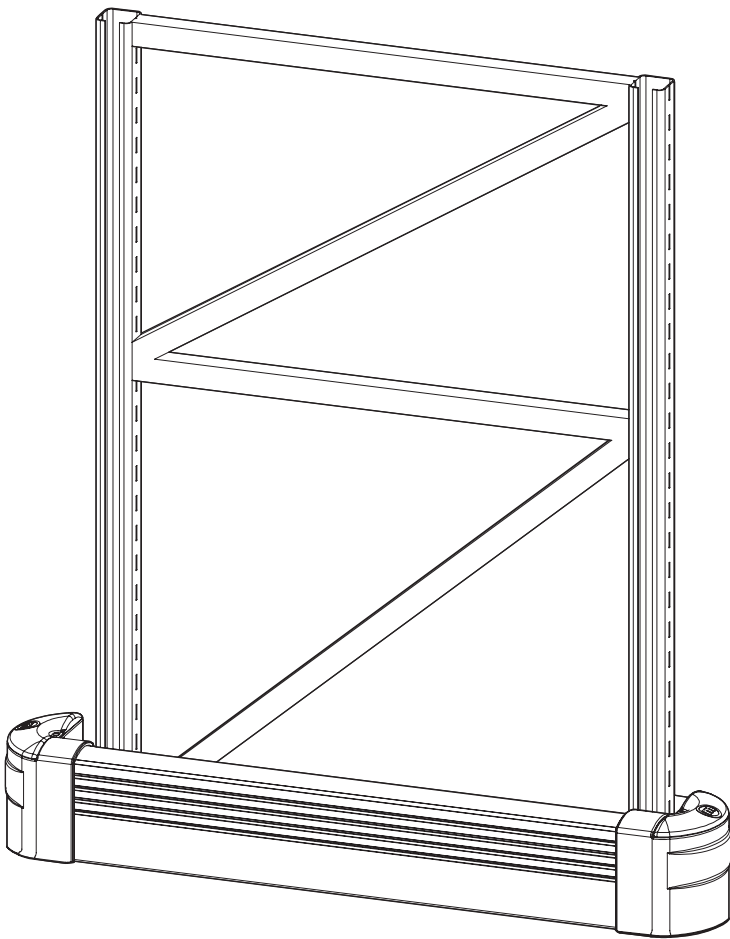


Rack End Protector

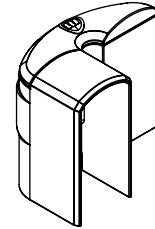
INSTALLATION INSTRUCTIONS



Components



Rack End
Right Leg

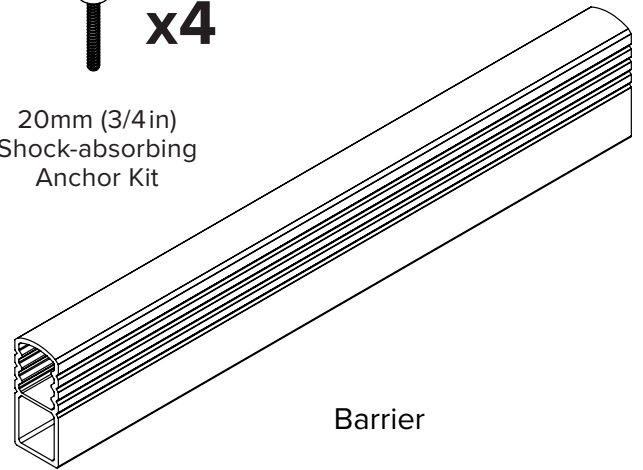


Rack End
Left Leg



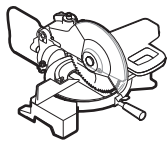
x4

20mm (3/4 in)
Shock-absorbing
Anchor Kit

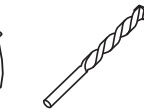
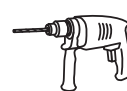
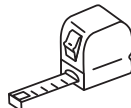


Barrier

Tools Required



5mm (3/16 in)



16mm (5/8 in)



24mm (15/16 in)



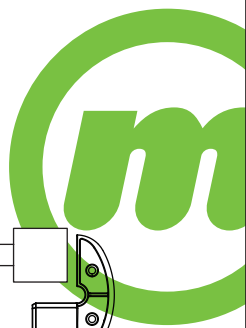
McCue Corporation
Peabody, Massachusetts, USA
+1 (800) 800 8503
customer care@mccue.com

McCue UK & Europe
Milton Keynes, United Kingdom
+44 (0)1908 365 511
uksales@mccue.com

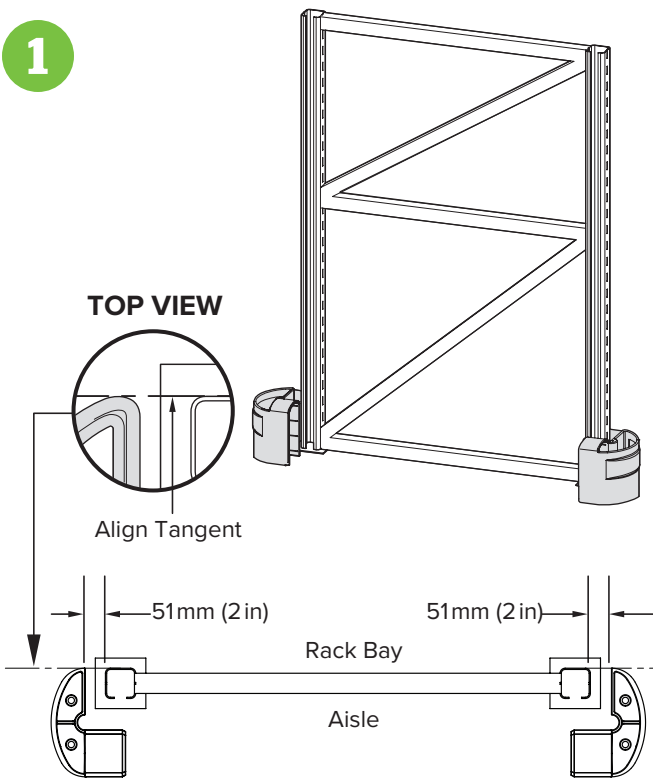
McCue Asia
迈客(厦门)有限公司
Xiamen, Fujian, China
+86-592-2200790

mccue.com

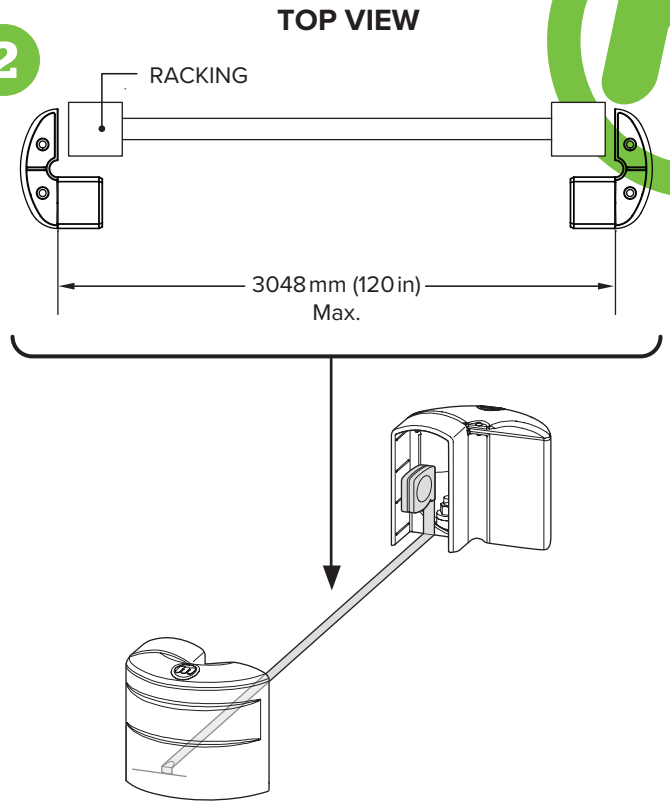




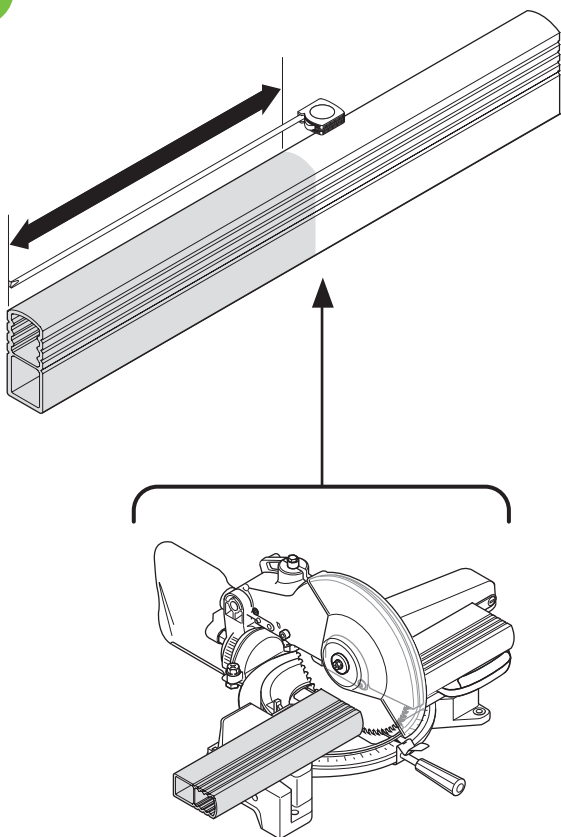
1



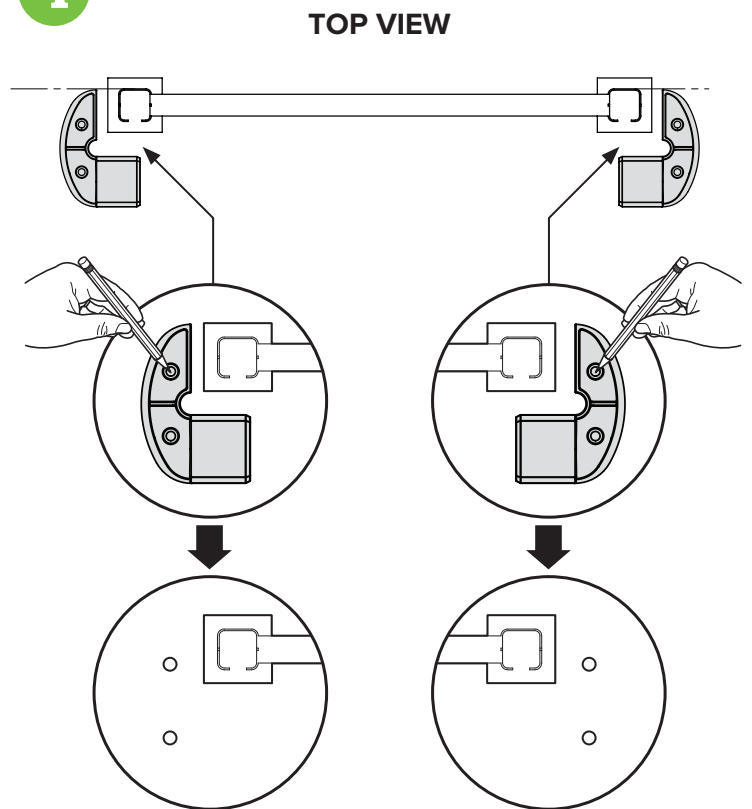
2



3

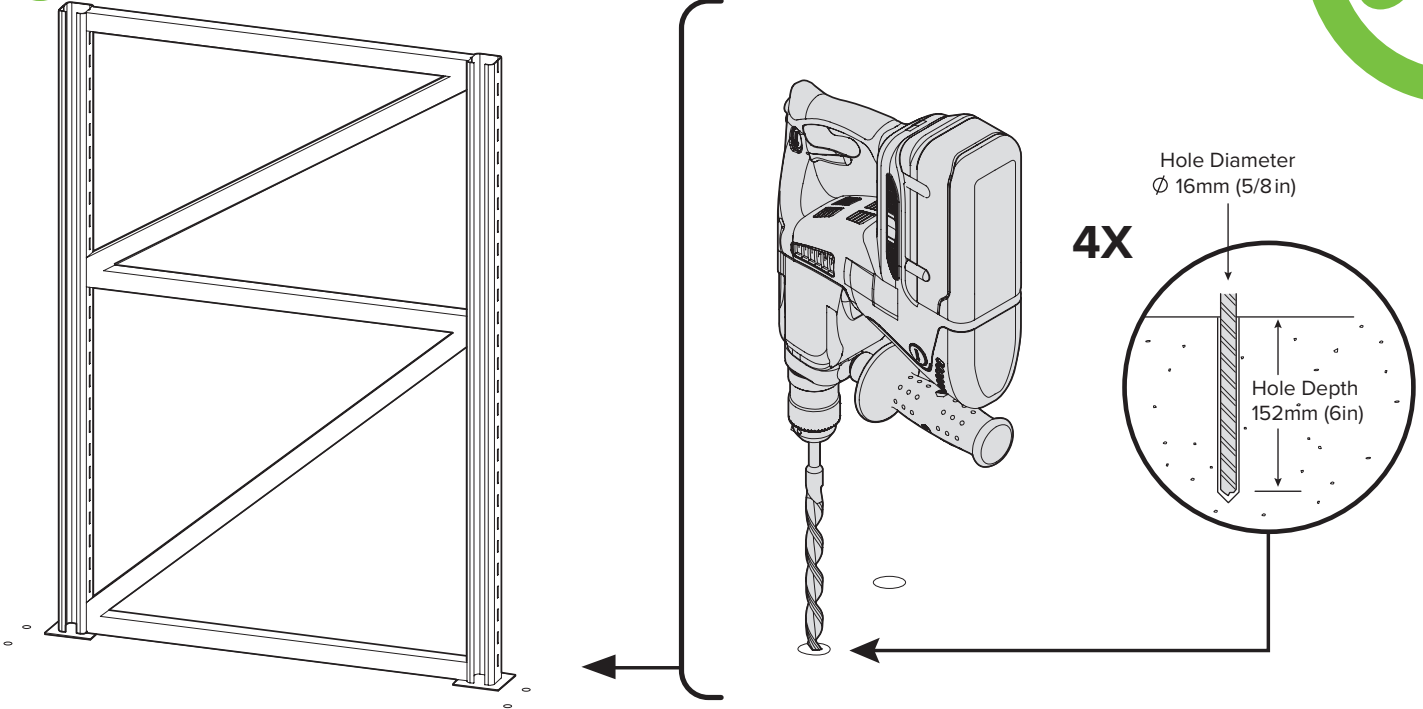


4

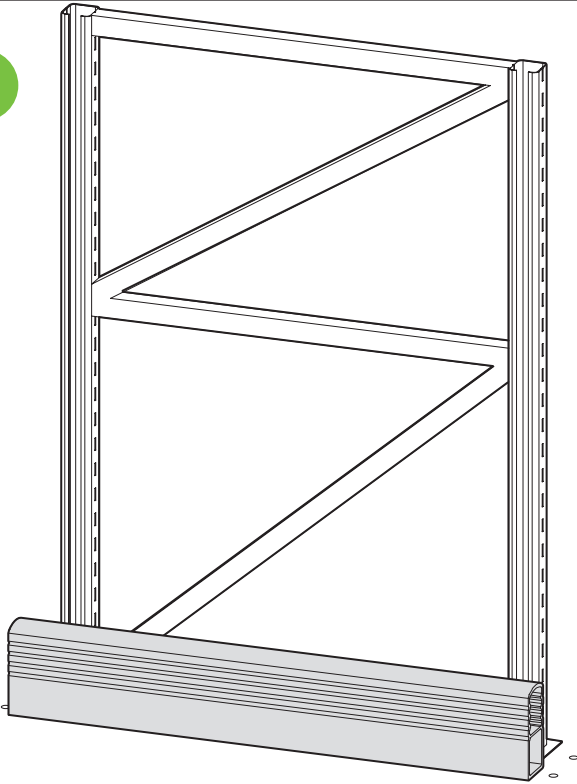




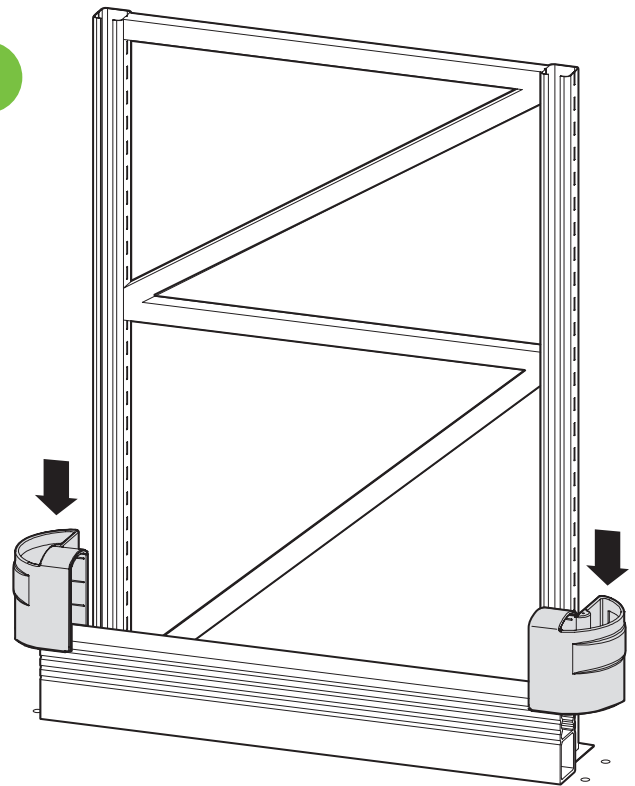
5



6

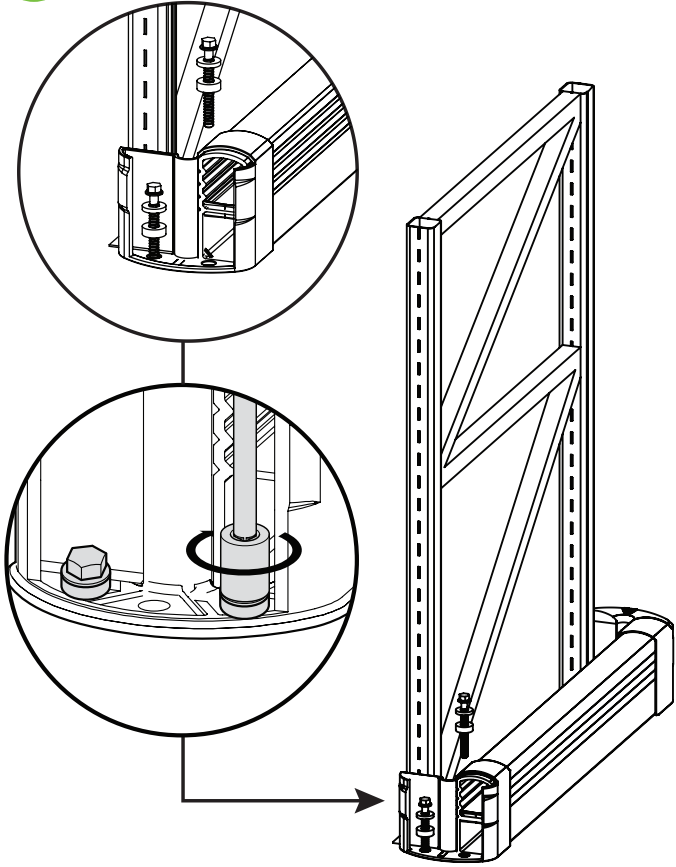


7

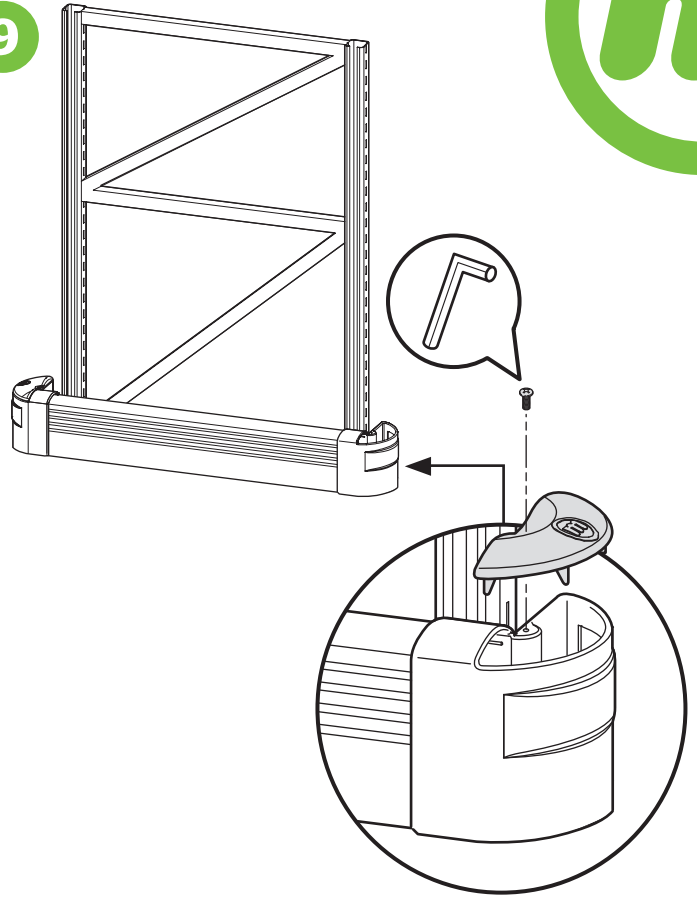




8



9



10

