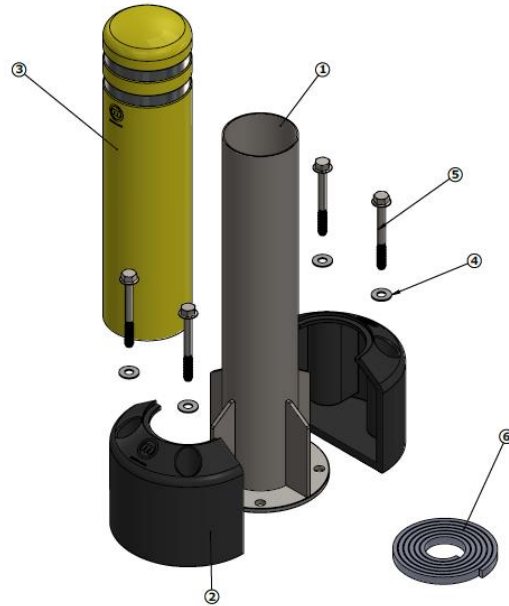
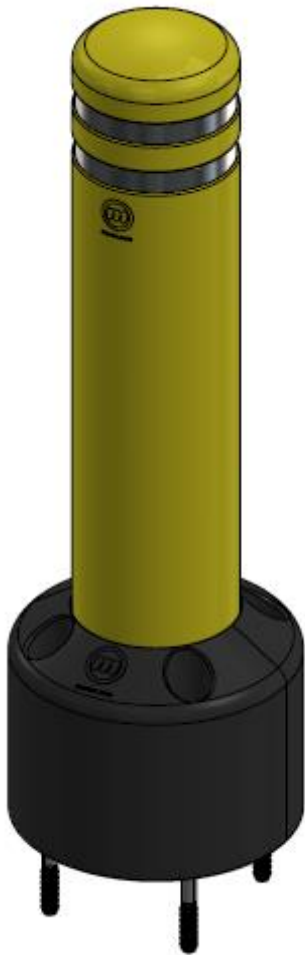


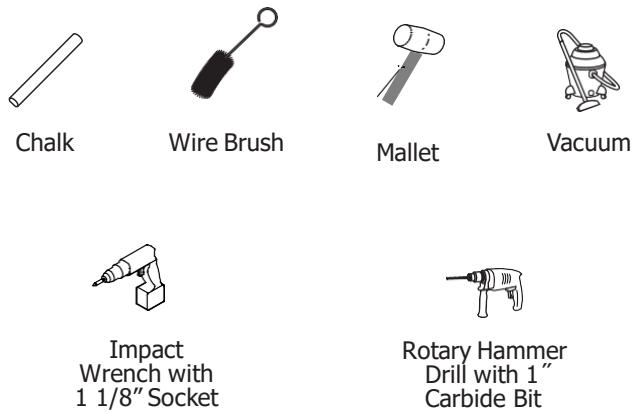
SafeStop Bollard 15

INSTALLATION INSTRUCTIONS



ITEM#	PART#	TITLE
1	1C009	15 KJ Shock Absorbing Bollard Core
2	1C010	15 KJ Shock Absorber
3	9C070	6" x 31.375" Plastic Post Cover W/ Reflective Tape
4	9H037	18-8 SS 3/4" Flat Washer
5	9H040	3/4" x 7" Concrete Screw Anchor
6	9C009	3/4" Thick Post Cover Foam Tape, 9' Long

Tools Required



McCue Corporation
 Peabody, Massachusetts, USA
 +1 (800) 800 8503
customer-care@mccue.com

McCue UK & Europe
 Milton Keynes, United Kingdom
 +44 (0)1908 365 511
uksales@mccue.com

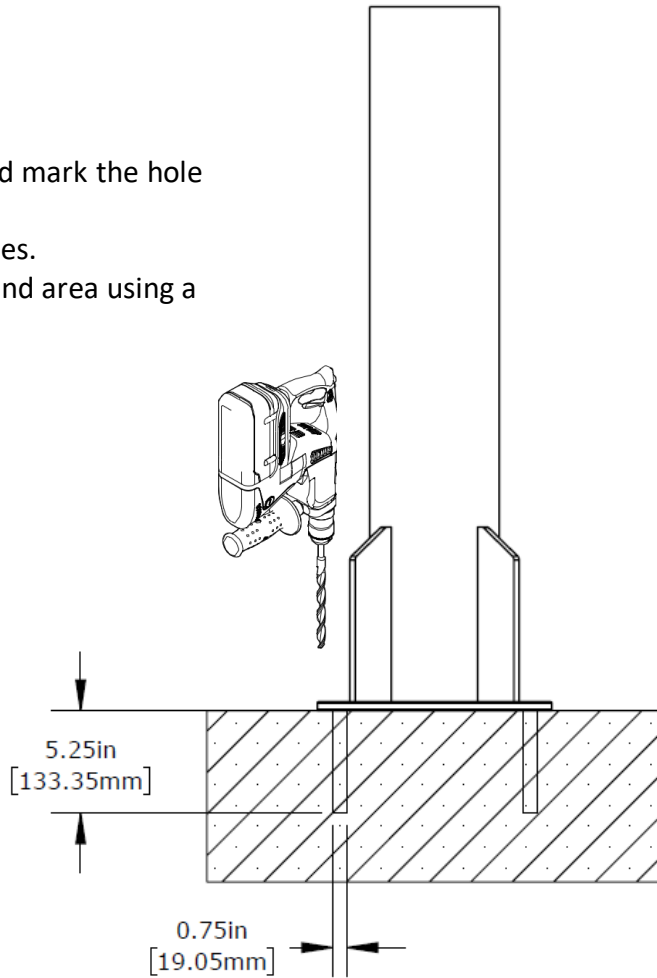
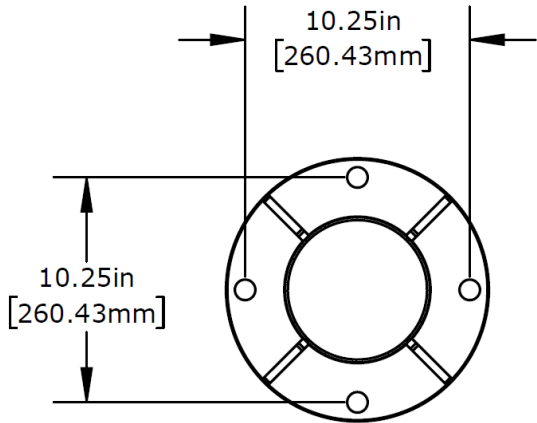
McCue Asia
 迈客(厦门)有限公司
 Xiamen, Fujian, China
 +86-592-2200790

mccue.com



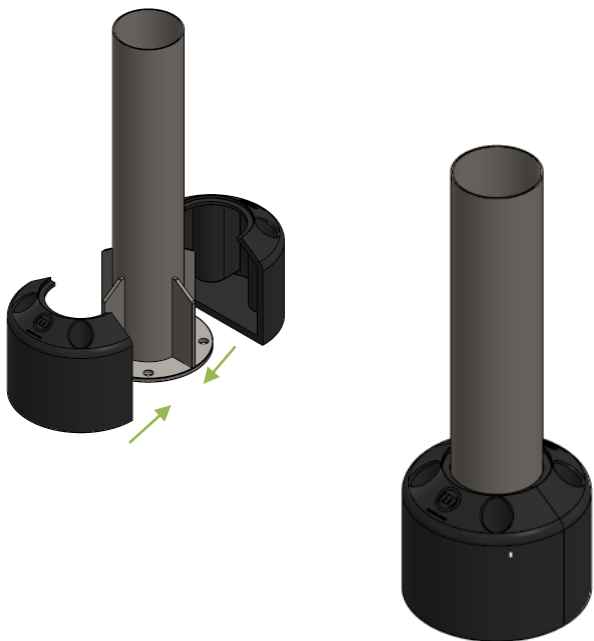
1

- Position bollard in desired location.
- Use the base plate as a template and mark the hole locations on the concrete.
- Using a 3/4" bit, drill 4 5.25" deep holes.
- Remove any debris from the holes and area using a brush and/or vacuum.



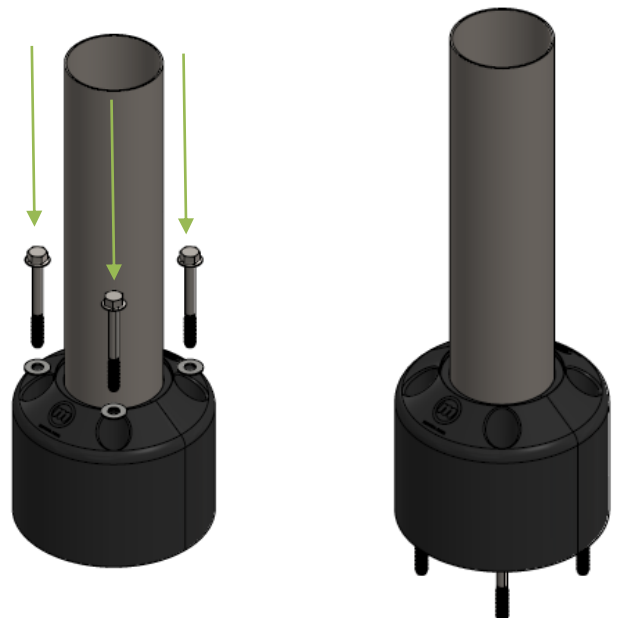
2

- Push the two dampening halves on to the core and align all 4 holes.



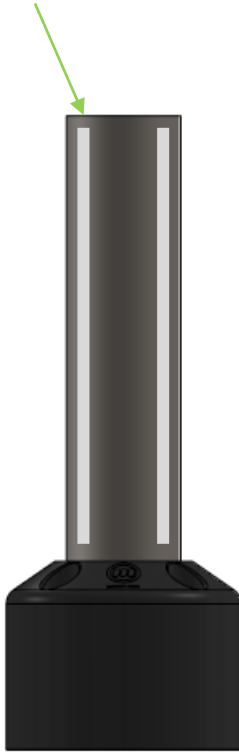
3

- Locate bollard over the previously drilled holes
- Drop the provided washers into each of the 4 holes
- Drive the concrete anchor through the assembly and into the concrete



4

- Adhere 3 24" pieces of foam tape around the core, 120 degrees apart from each other



5

- Slide the plastic cover over the core until it rests between the two dampeners.

