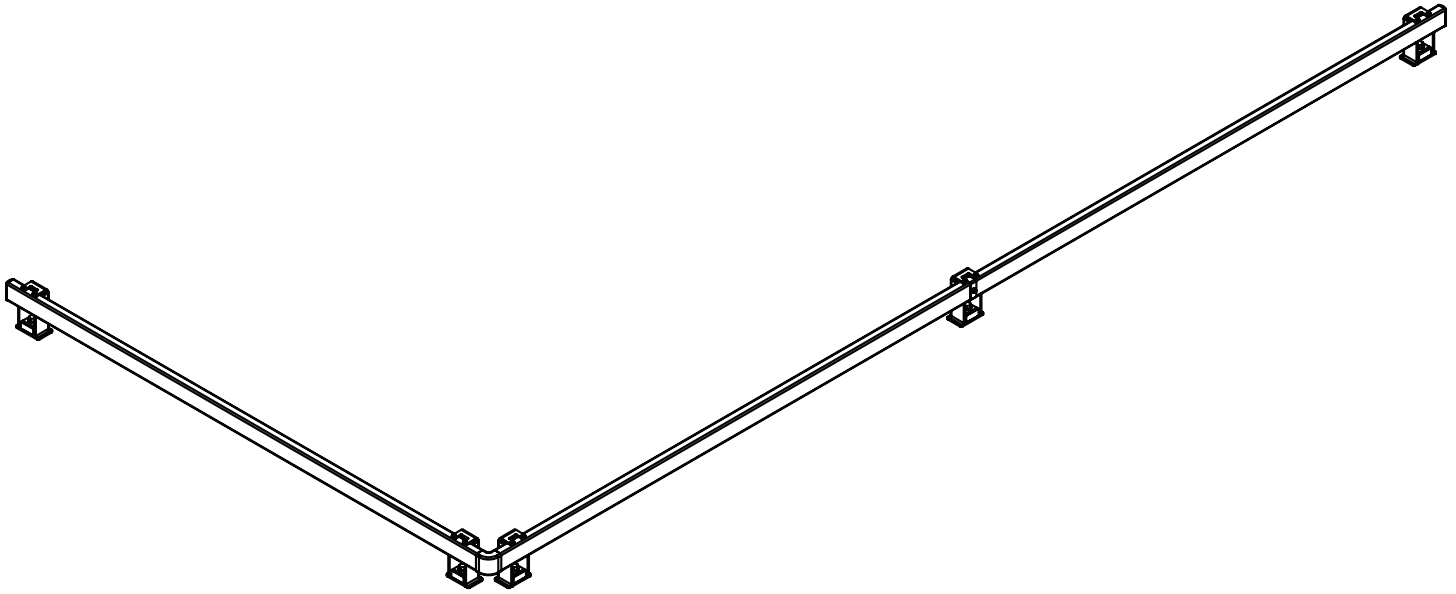
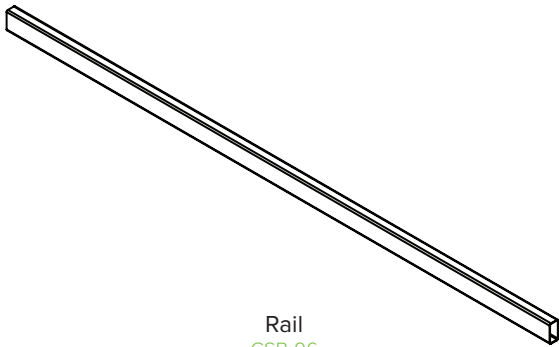


Shock-Absorbing Box Rail

INSTALLATION INSTRUCTIONS



Components



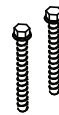
Rail
CSB-96



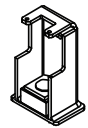
Tek Screws
#14 x 1" [x4]



End Caps
CSBE-00



Concrete Anchor
HW-C-A58



Leg Kit
BR-K-LEG-7
BR-K-LEG-5, BR-K-LEG-10

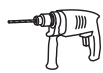
Tools Required



Impact Driver



15/16" Socket



Hammer Drill



16mm, 5/8"
Drill Bit



Hand Drill



Tape Measure



Pencil



Mallet



Vacuum



Questions

McCue Corporation

Peabody, Massachusetts, USA
+1 (800) 800 8503
customer@McCue.com

McCue UK & Europe

Milton Keynes, United Kingdom
+44 (0)1908 365 511
uksales@McCue.com

McCue Asia

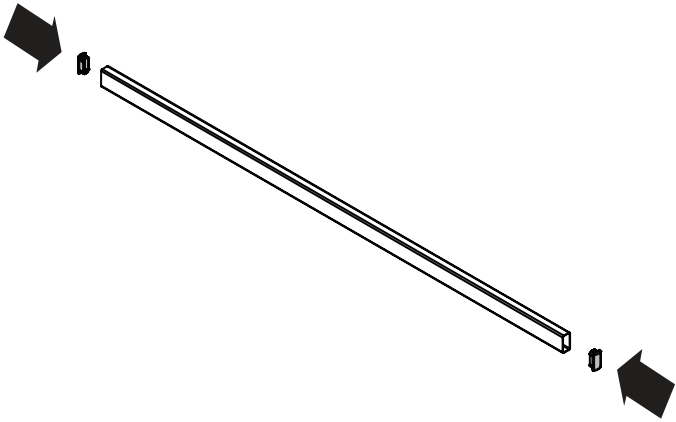
迈客(厦门)有限公司
Xiamen, Fujian, China
+86-592-2200790

mccue.com

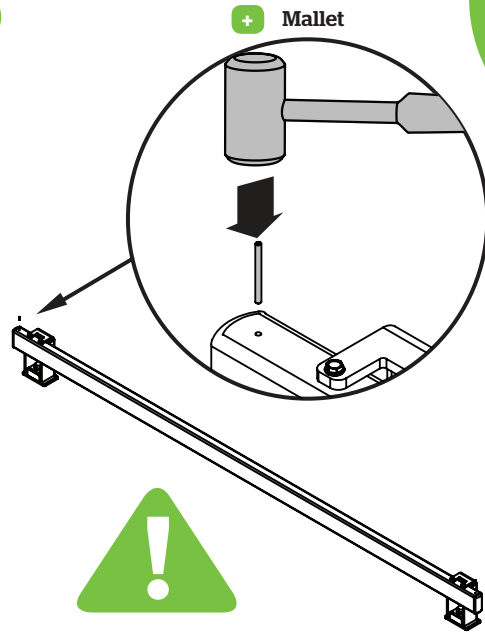




1

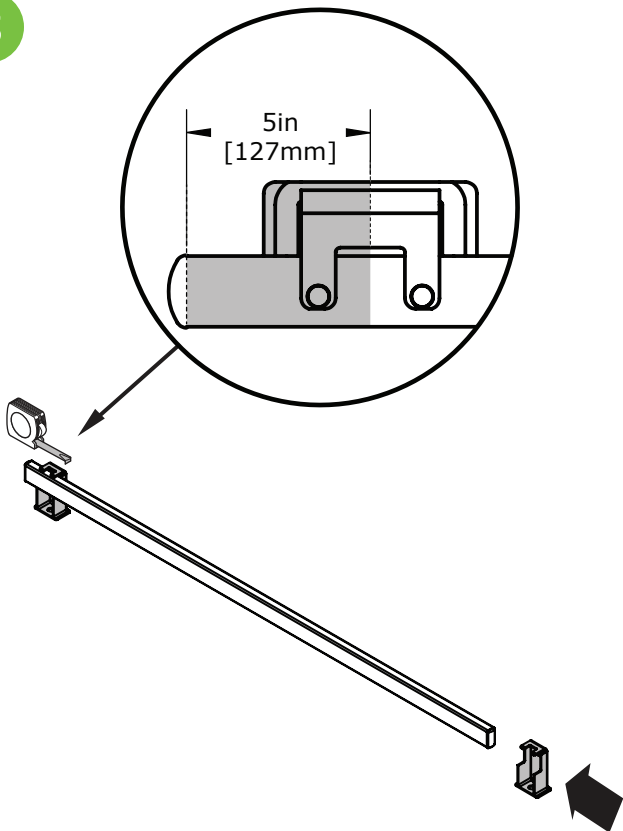


2

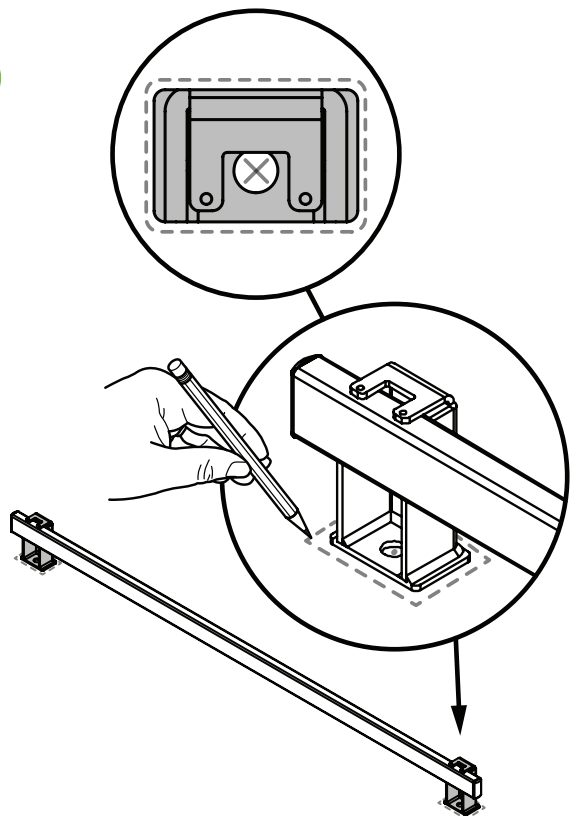


IMPORTANT: To secure end cap, drill a pilot hole 0.125" [3.2mm] diameter at 0.5" [13mm] from end cap

3

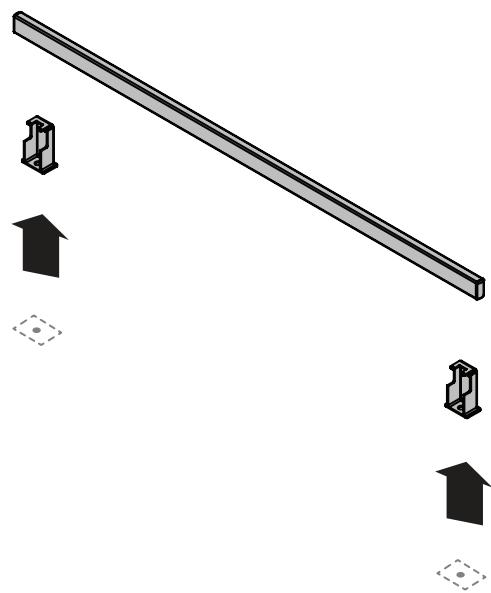


4

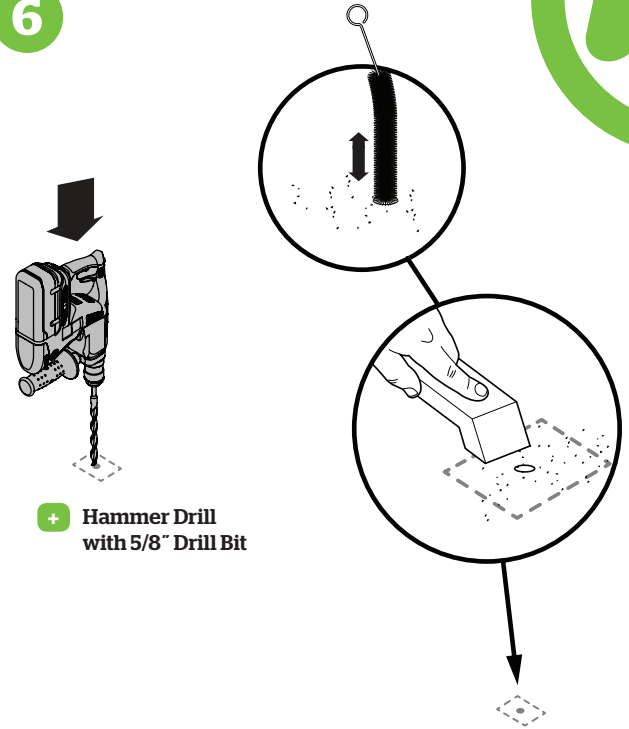




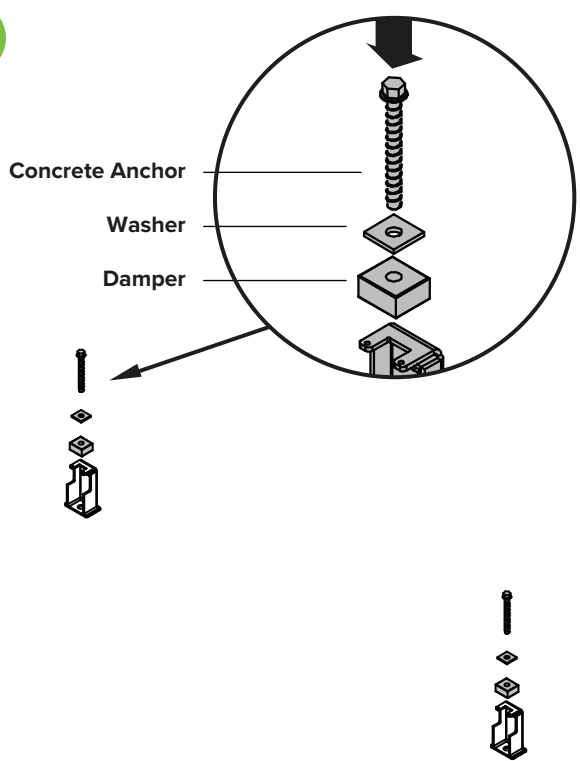
5



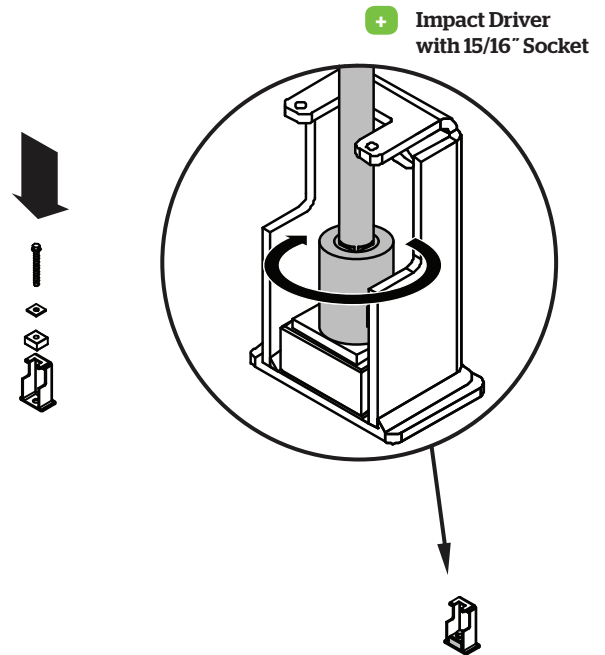
6



7

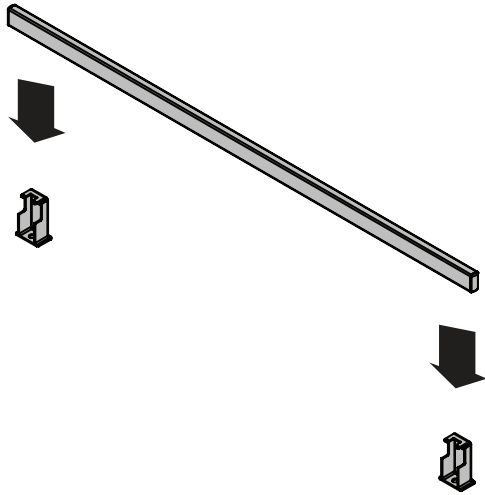


8

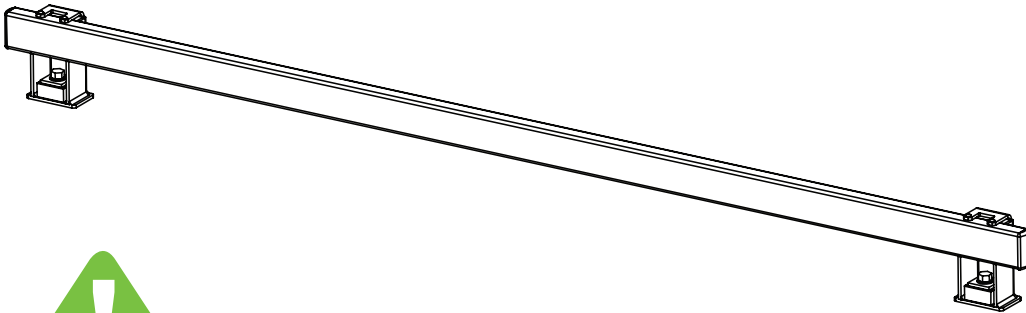
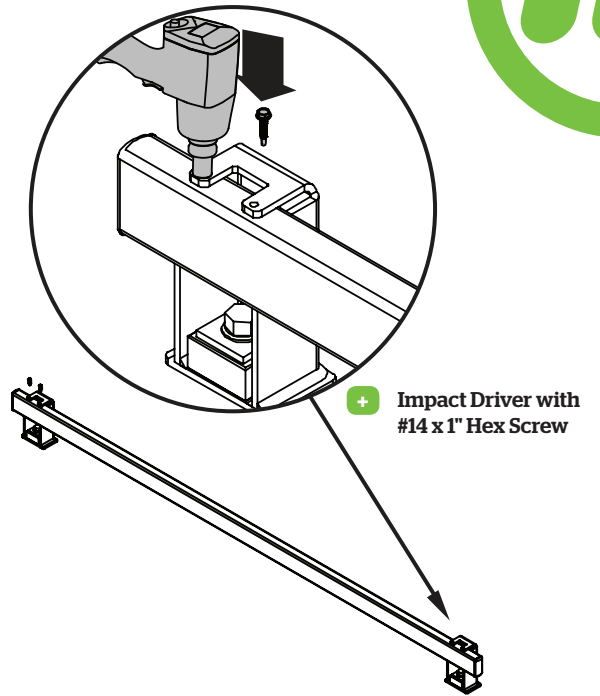




9



10

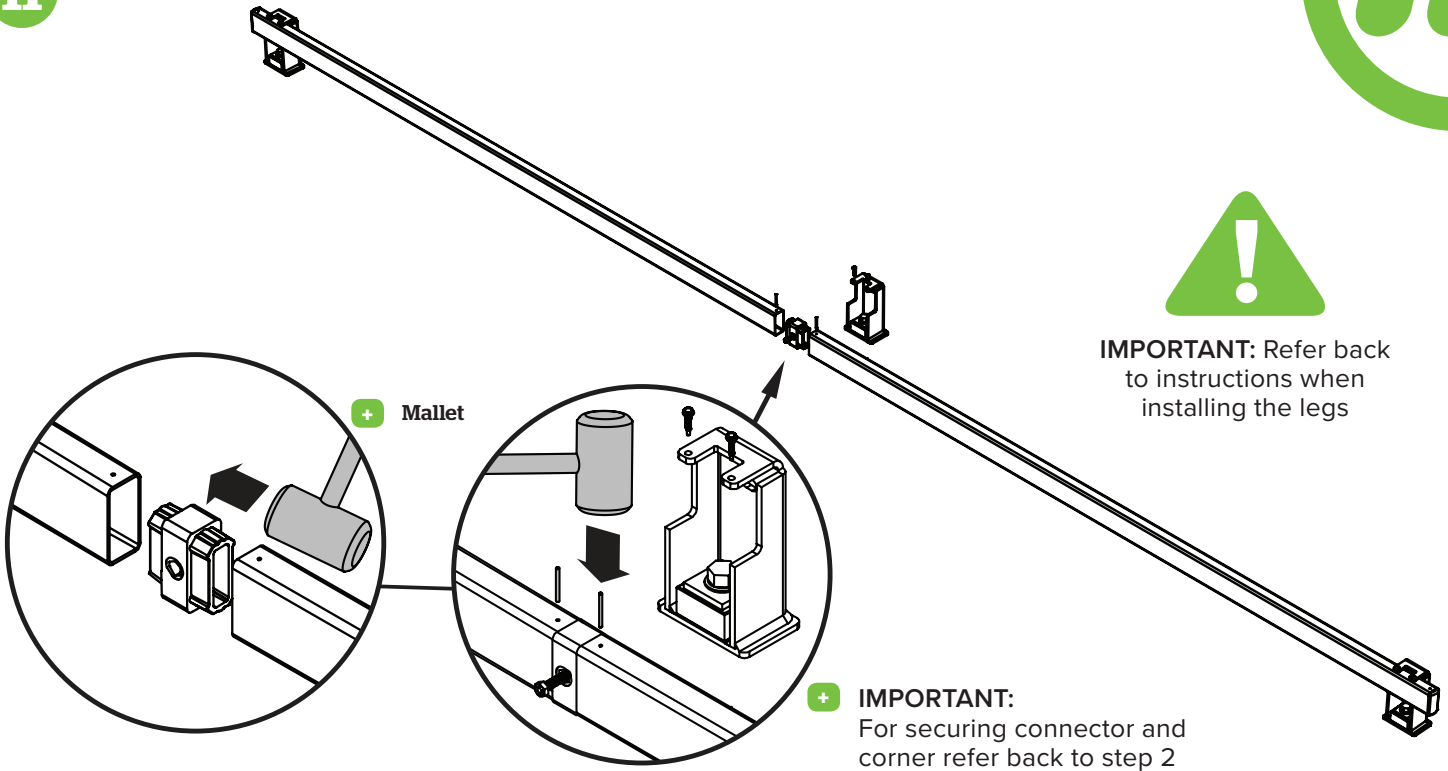


Installation Complete —
See next page for connector
and corner installation

Additional Steps: Corners & Connectors



11



12

