

# Column Guard



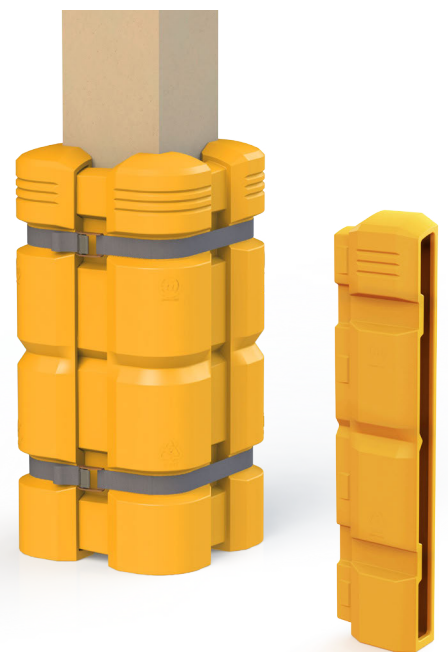
## Nothing slows down productivity like hitting a one-ton steel column.

The modular, shock-absorbing assembly installs securely and cushions columns, equipment and drivers from impacts. Protect the structural integrity of your facility and the financial integrity of your business.

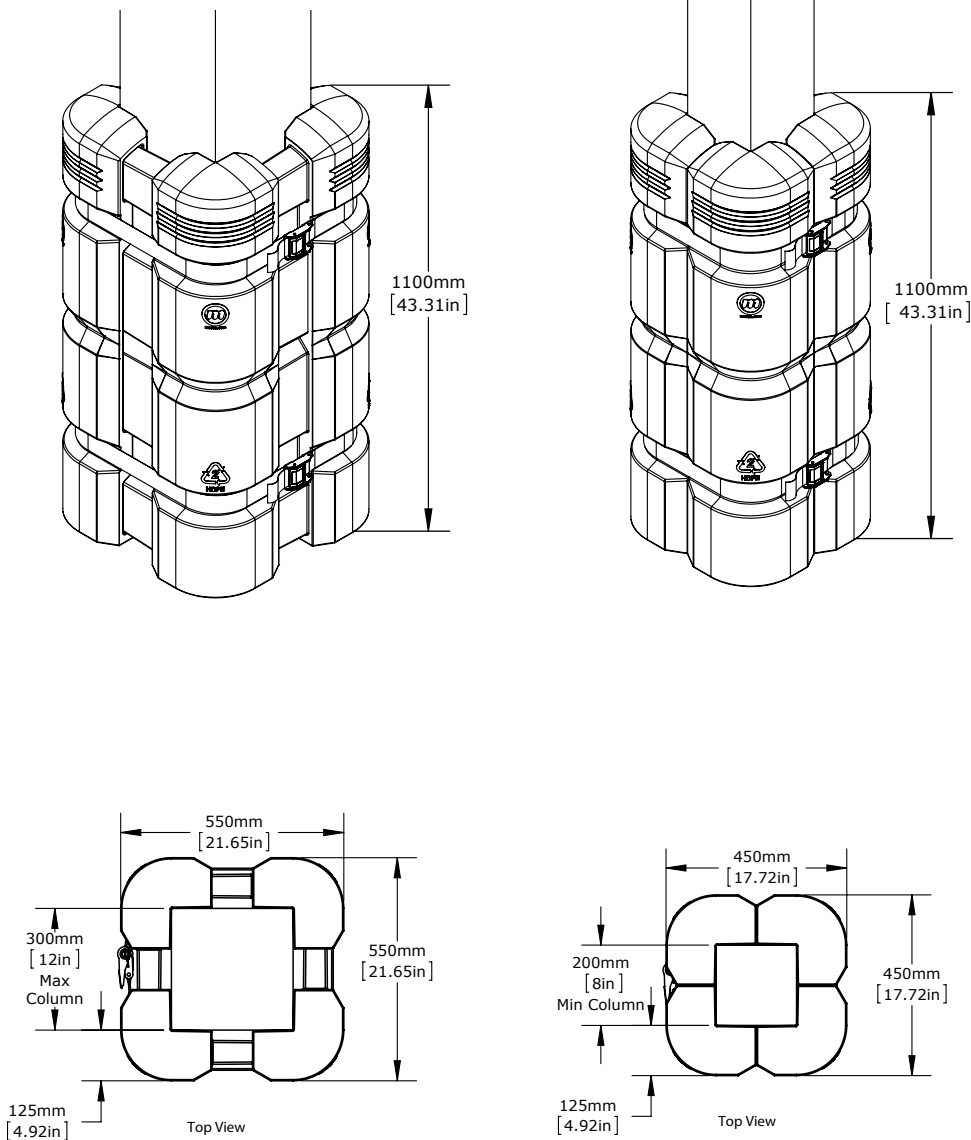
**Easy Installation** With 2 adjustable straps, no special skills or equipment required

**Adjustable Fit** Modular design fits a variety of column sizes

**Low Maintenance** Hi-visibility plastic requires no welding or painting



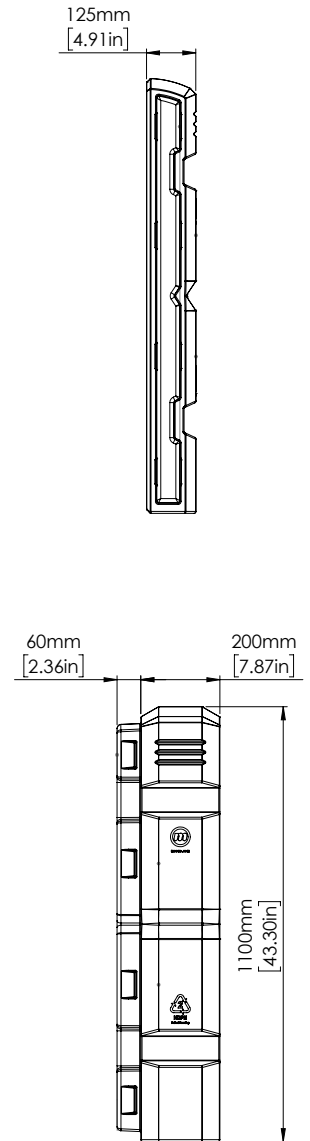
# Column Guard



## Column Guard:

Materials: HDPE shell Column Guard, 2 straps

CG-K-812-307



## Column Guard Extender

Materials: HDPE shell

CG-C-008 -307



**McCue Corporation**  
Peabody, MA 01960, USA  
+1 (800) 800 8503  
customer@care@mccue.com

**McCue UK & Europe**  
Milton Keynes, United Kingdom  
+44 (0)1908 365 511  
uksales@mccue.com

**McCue Asia**  
迈客(厦门)有限公司  
Xiamen, Fujian, China  
+86-592-2200790

[mccue.com](http://mccue.com)

