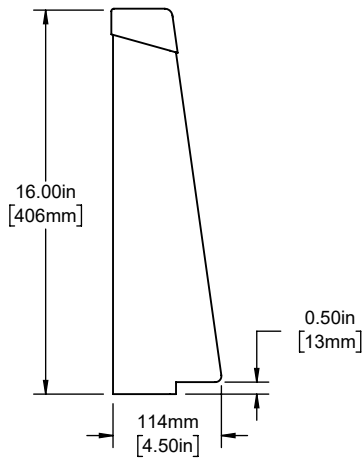
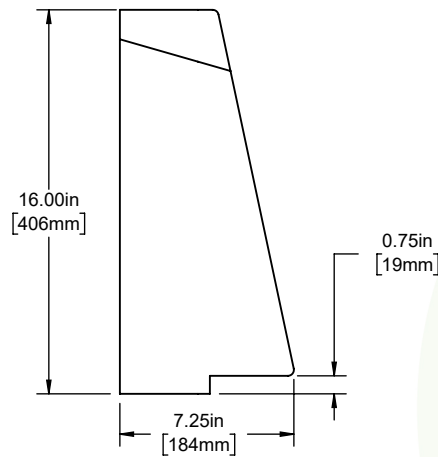


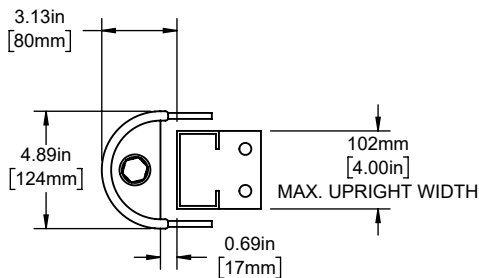
**10" Shock Absorbing Rack Guard for Standard Racks**



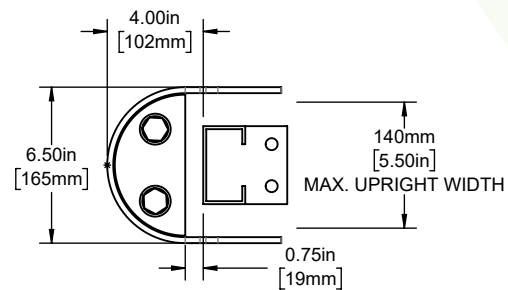
**16" Shock Absorbing Rack Guard for Standard Racks**



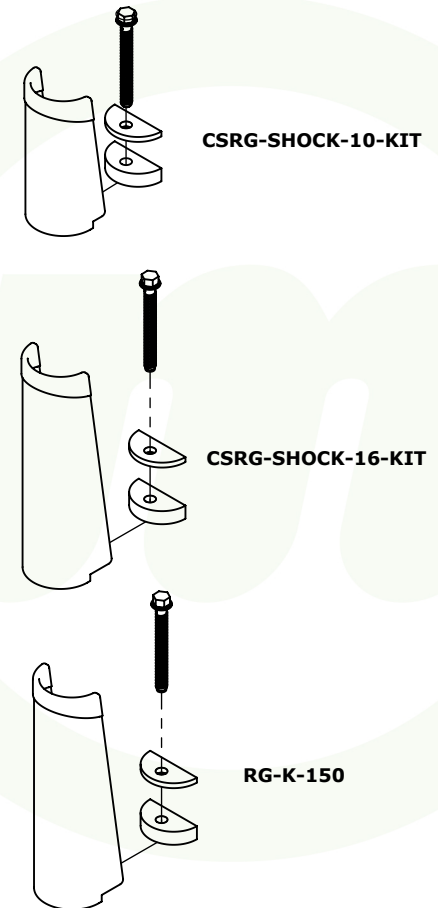
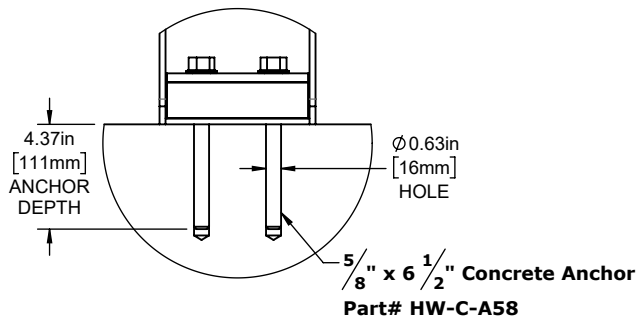
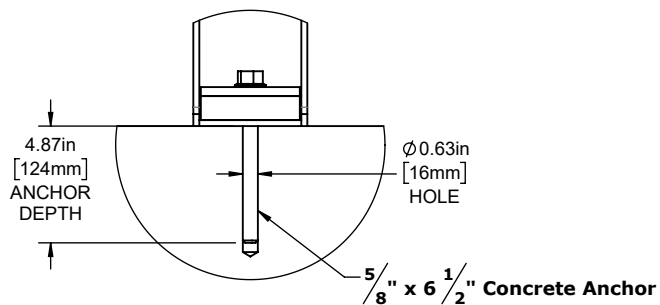
**16" Shock Absorbing Rack Guard for Wide Racks**



**Top View - Standard Racks**



**Top View - Wide Racks**



**Customer Drawing**  
**Shock-Absorbing Rack Guards**



**McCue US**  
(978) 741-8500  
CustomerCare@mccue.com

**McCue UK**  
+44 1908-365-511  
UKCServices@mccue.com

**McCue China**  
+86-592-2200 790  
ChinaOffice@mccue.com

[mccue.com](http://mccue.com)