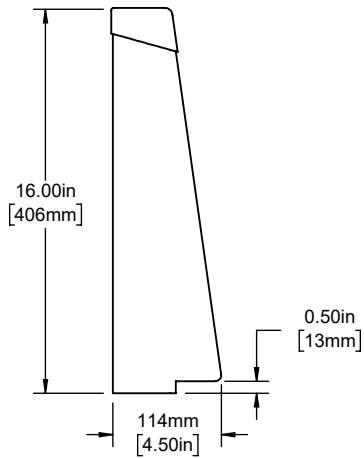
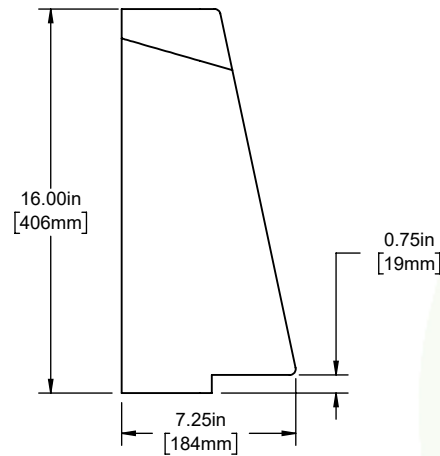


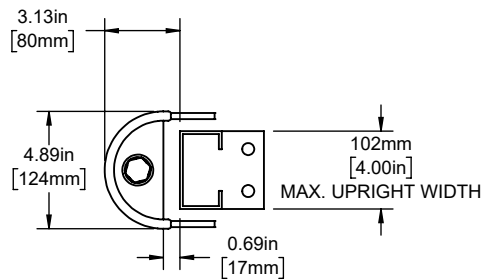
10" Shock Absorbing Rack Guard for Standard Racks



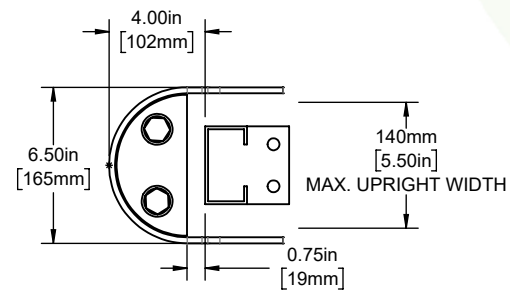
16" Shock Absorbing Rack Guard for Standard Racks



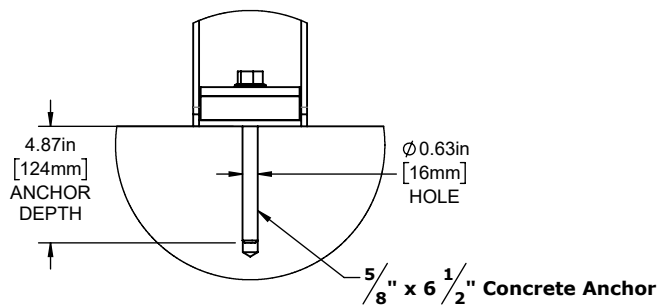
16" Shock Absorbing Rack Guard for Wide Racks



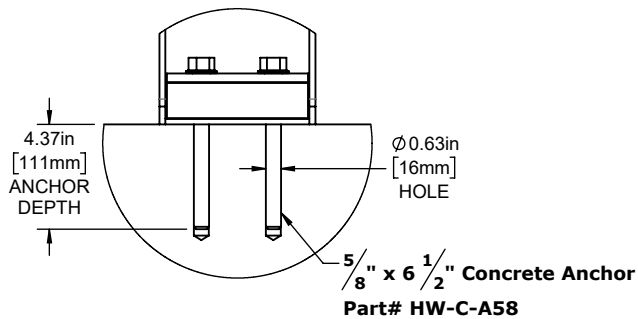
Top View - Standard Racks



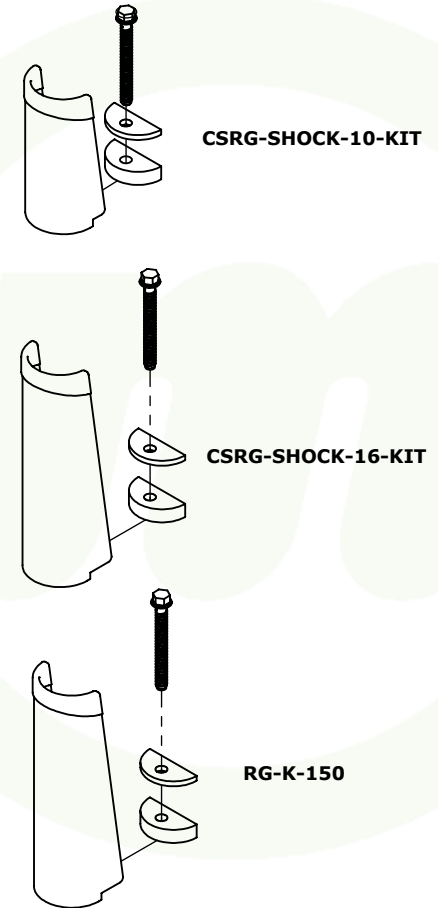
Top View - Wide Racks



5/8" x 6 1/2" Concrete Anchor



5/8" x 6 1/2" Concrete Anchor Part# HW-C-A58



CSRG-SHOCK-10-KIT

CSRG-SHOCK-16-KIT

RG-K-150

Customer Drawing
Shock-Absorbing Rack Guards



McCue

McCue US
(978) 741 8500
CustomerCare@mccue.com

McCue UK
+44 1908-365-511
UKCServices@mccue.com

McCue China
+86-592-2200 790
ChinaOffice@mccue.com

mccue.com