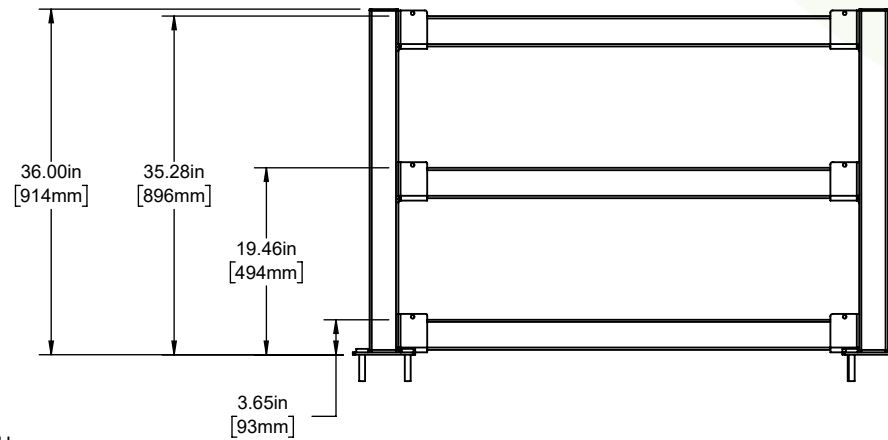


Fixing Detail
SCALE 1 : 8

2.75in [70mm]
ANCHOR DEPTH



Customer Drawing
Systems Protector



McCue US
(978) 741 8500
CustomerCare@mccue.com

McCue UK
+44 1908-365-511
UKCServices@mccue.com

McCue China
+86-592-2200 790
ChinaOffice@mccue.com

mccue.com