

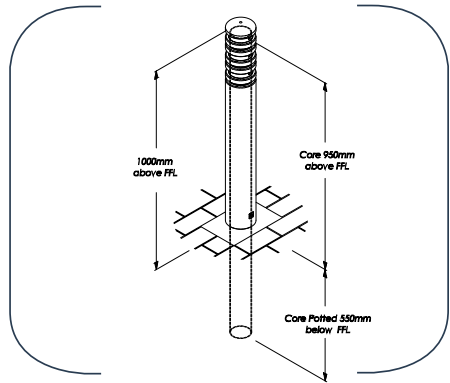
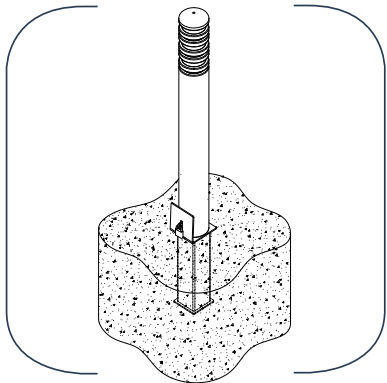
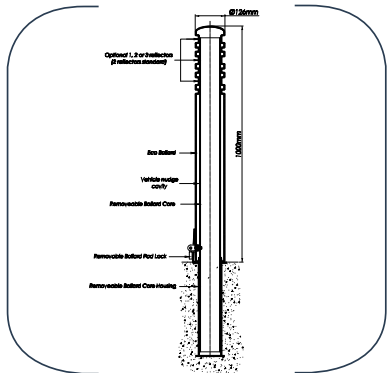
Eco Car Park Bollard, 3RS & Architectural Car Park Bollards

The Eco Car Park Bollard range is used to create a safe environment for customers moving around the car park. The Eco bollards offer an environmentally friendly and low maintenance alternative to traditional stainless steel or painted products.



- ! Environmentally friendly plastic cover produced from recycled HDPE
- ! Steel cores provide standard car park, anti ram-raid, surface mounted and removable options
- ! The plastic covers are completely weather resistant, reducing maintenance costs
- ! Highly visible reflective strips to comply with DDA regulations





3RS Eco Bollard Cover
BOL-ECO-3RS
1000mm

Removable Bollard Core
BOL-RB-CORE
1350mm

Eco Bollard Cover with Chamfered Top
BOL-ECO-ARC

Removable Bollard Potted Housing
BOL-RB-HOUSING

Car Park Bollard Core
BOL-CP4-CORE
1500mm

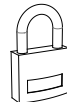
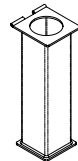
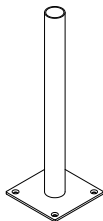
Removable Bollard Housing Key
BOL-RB-KEY

Ram Raid Bollard Core
BOL-RR5-CORE
2000mm

M12 Heavy Duty Expansion Anchor
FXG-M12-100

Surface Mounted Bollard Core
BOL-SM2-CORE
960mm

Removable Bollard Housing Lock
BOL-RB-LOCK



Walkway Bollard

Walkway Bollard

The Walkway bollard has been designed to include an innovative breakaway mechanism. This means that when it is impacted the bollard will cleanly break away at ground level. The remaining potted bucket can then house a new bollard with no need for expensive ground repairs or a new installation.

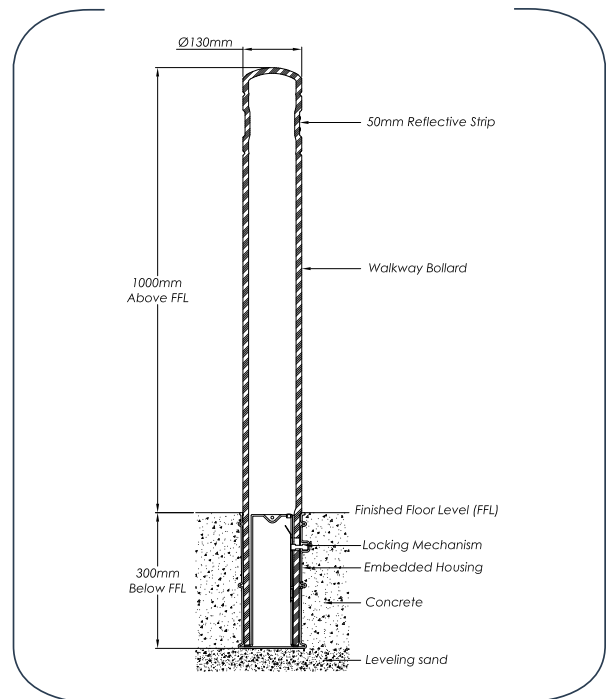
- ! Manufactured from HDPE, offering high strength and durability (100% Recyclable)
- ! High-visibility reflective strip, in compliance with DDA regulations
- ! Low cost, simple replacement by in-store personnel
- ! Stands 1 metre above ground level



Walkway Bollard
BOL-WALKWAY
1000mm



Walkway Bollard Replacement Sleeve
BOL-WALKWAY SLEEVE



Stainless Steel Bollards

Our Stainless Steel Bollard collection provides a robust, aesthetic solution to protecting buildings, pedestrians, fixtures and car parks. Available in a range of different tops, these bollards are versatile and suitable for a broad spectrum of situations and applications. In addition, ram-raid cores are available for all of the bollard sleeves.

- ! Available with a number of different tops for different situations – Flat top, domed top and bevelled top
- ! Available with 0 - 2 reflective strips for high visibility
- ! Ram-raid core available for situations requiring additional impact resistance
- ! Also available in grade 304 and 316

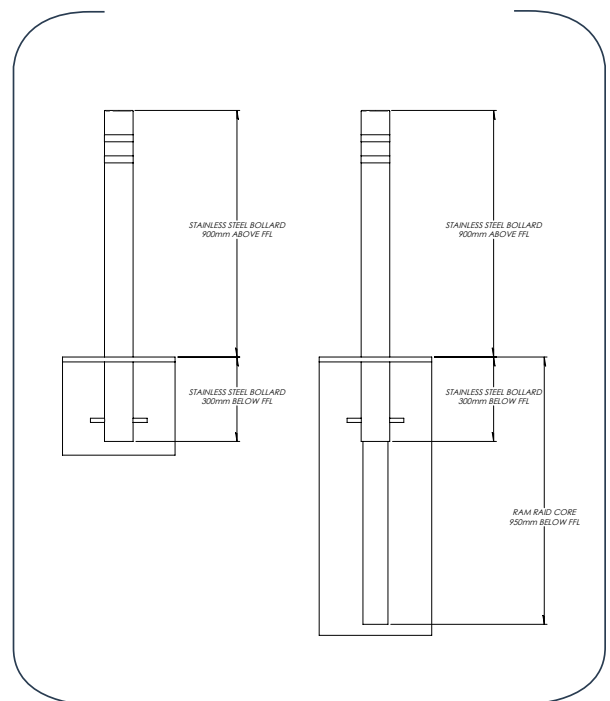


Bevel Top Stainless Steel Bollard
BOL-SS-BT (0 reflective strips)
BOL-SS-BT-1RS (1 reflective strip)
BOL-SS-BT-2RS (2 reflective strips)

Dome Top Stainless Steel Bollard
BOL-SS-DT (0 reflective strips)
BOL-SS-DT-1RS (1 reflective strip)
BOL-SS-DT-2RS (2 reflective strips)

Flat Top Stainless Steel Bollard
BOL-SS-FT (0 reflective strips)
BOL-SS-FT-1RS (1 reflective strip)
BOL-SS-FT-2RS (2 reflective strips)

Ram Raid Core
BOL-RR5-CORE



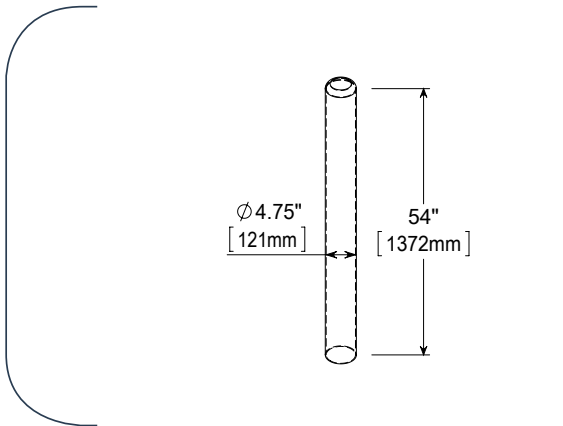
CartStop Post Covers

Impact-Resistant Plastic Post Covers

Cover up those unsightly pipe posts and concrete bollards and eliminate constant repainting. CartStop Post Covers are constructed of impact-resistant HDPE and are available in a variety of great-looking colours. They're designed to cover your posts, while maintaining all the protection of pipe and concrete bollards.

- ! CartStop Post Covers keep your bollards looking new
- ! Eliminate the need for scraping, painting and repainting
- ! Removable for easy cleaning



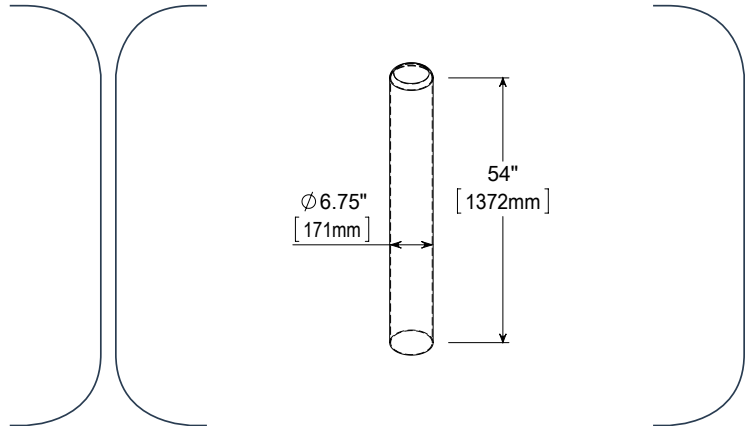


4.5" PIPE CARTSTOP POST COVERS

54" Tall Post Cover

CSPC-4-XXX

For posts up to 4.5" outer diameter



6" PIPE CARTSTOP POST COVERS

54" Tall Post Cover

CSPC-6-XXX

For posts up to 6-6.625" outer diameter



COLOURS AND LEAD TIMES

Stock Colours

Available to ship within 3 weeks.



Custom Colour Matching

Pre-matched colours ship within 6 weeks, minimums may apply, otherwise allow 8-10 weeks for delivery.

► Installation is easy as 1, 2 and 3.