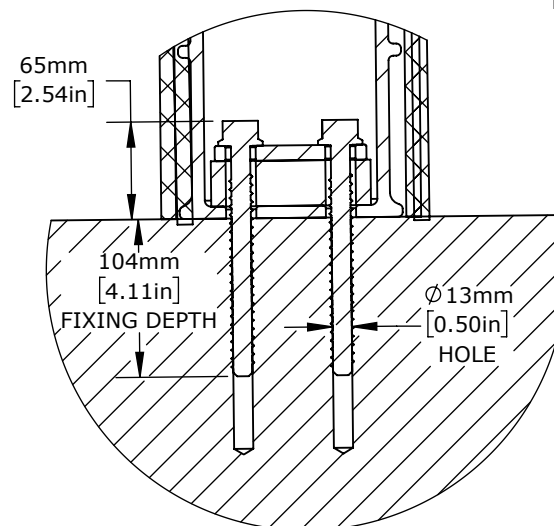
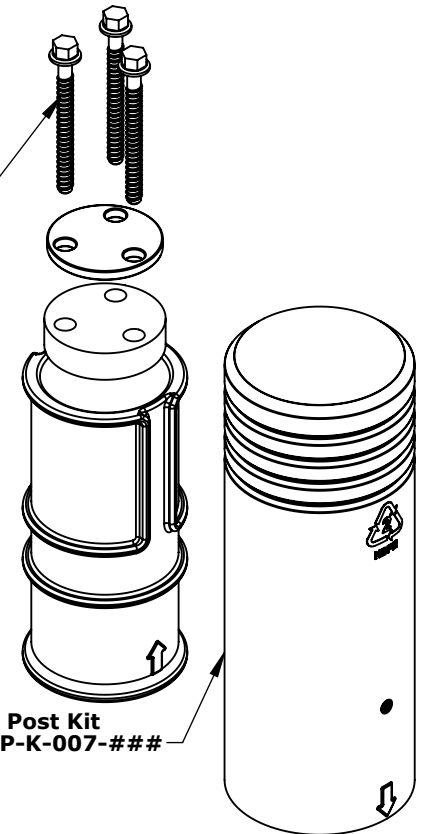


Concrete Anchor 1/2" X 6"  
Part#: HW-C-A12



Fixing Detail

**Deflector Post  
Customer Drawing**



Peabody, MA 01960, USA  
+1 (800) 800 8503  
customer@mc cue.com

Milton Keynes, United Kingdom  
+44 (0)1908 365 511  
uksales@mc cue.com

Xiamen, Fujian, China  
+86-592-2200790

mc cue.com