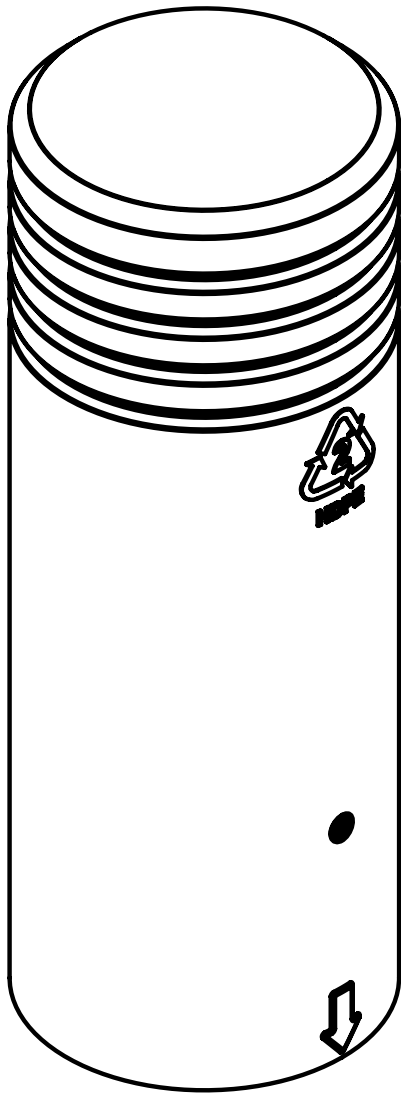
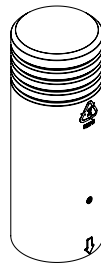


Deflector Post

INSTALLATION INSTRUCTIONS



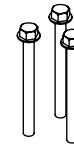
Components



Shell

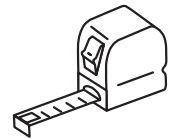
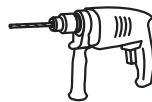


Core,
Damper,
Washer



Concrete
Anchors

Tools Required



McCue Corporation
Peabody, Massachusetts, USA
+1 (800) 800 8503
customer@McCue.com

McCue UK & Europe
Milton Keynes, United Kingdom
+44 (0)1908 365 511
uksales@McCue.com

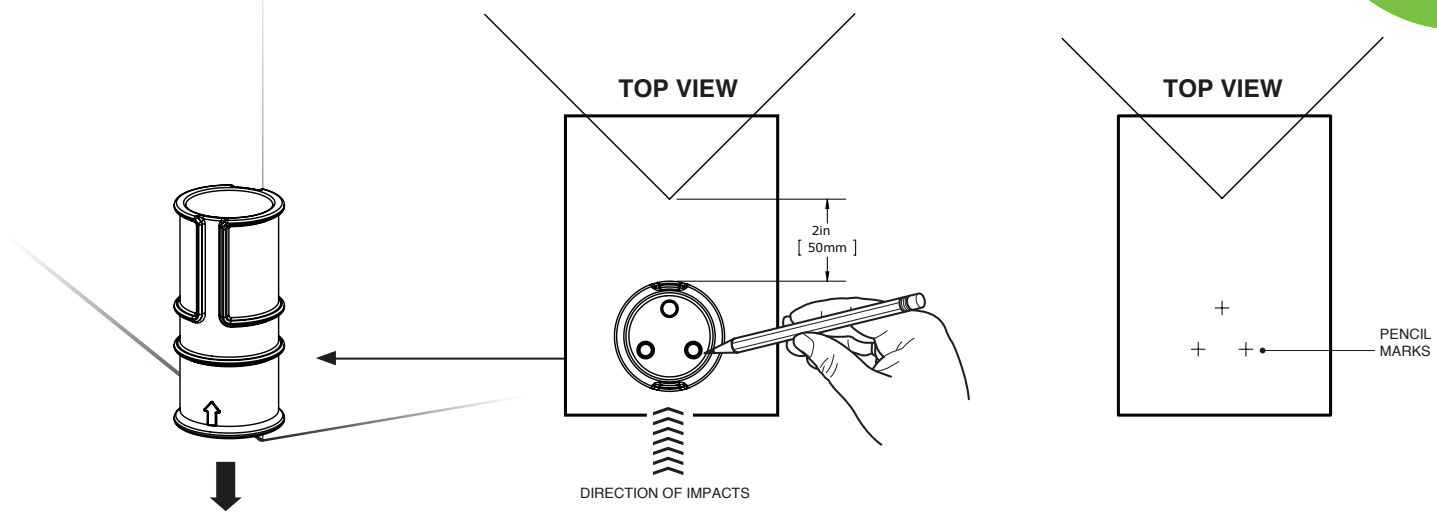
McCue Asia
迈客(厦门)有限公司
Xiamen, Fujian, China
+86-592-2200790

McCue.com

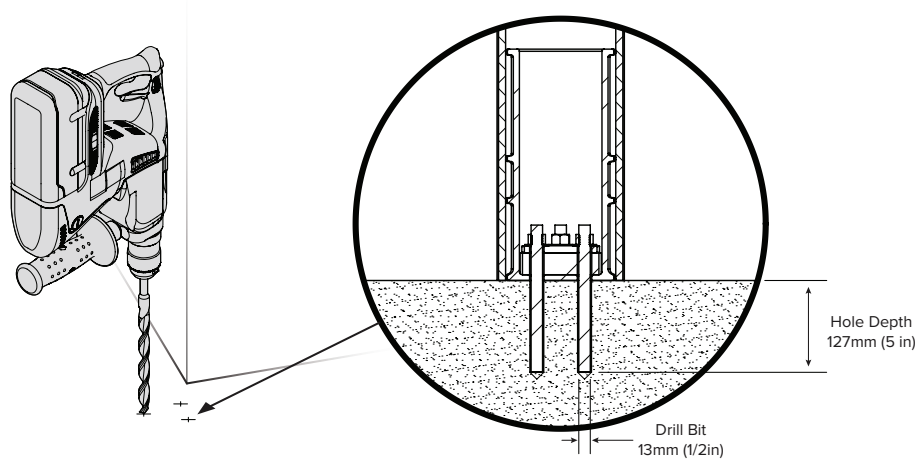




1

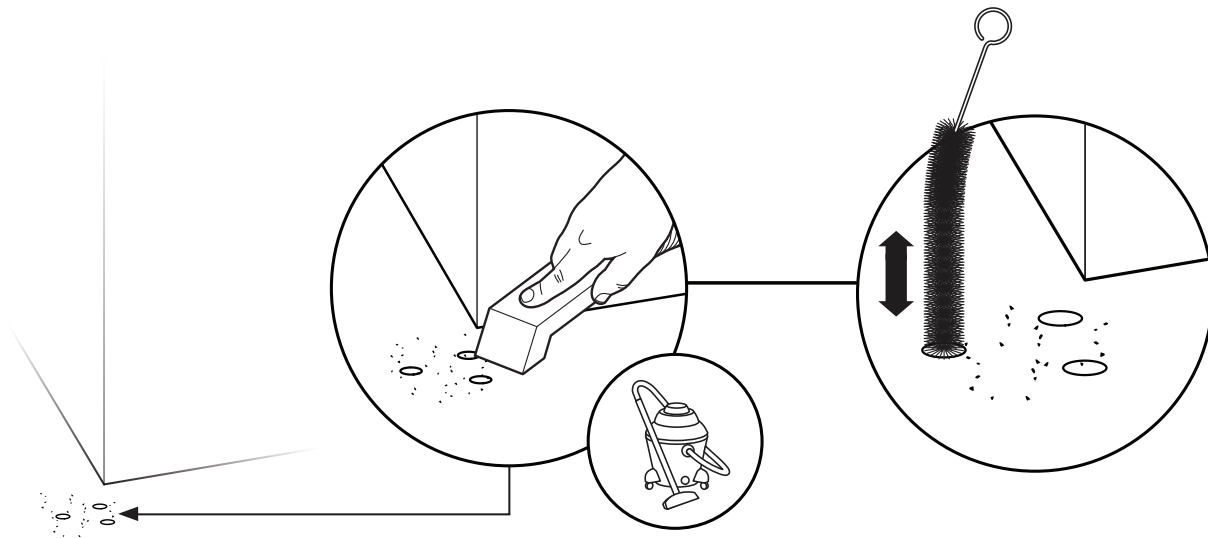


2

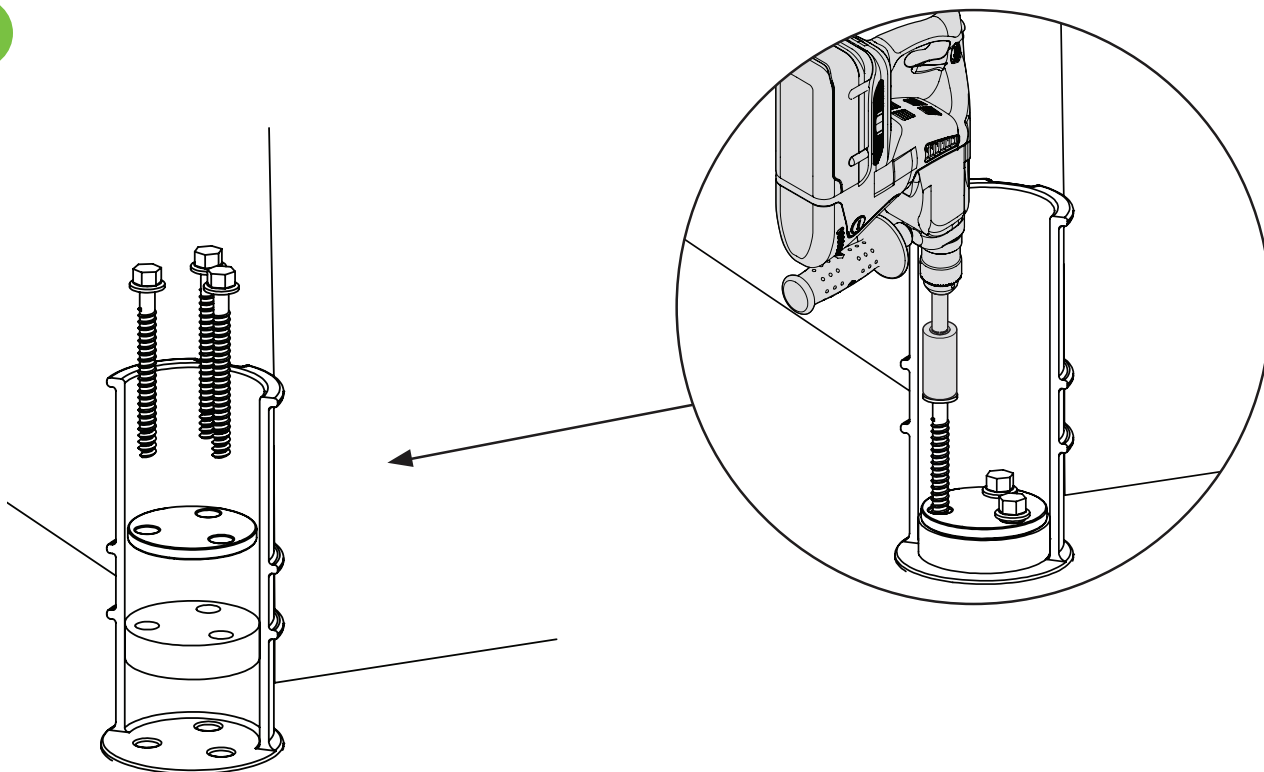




3

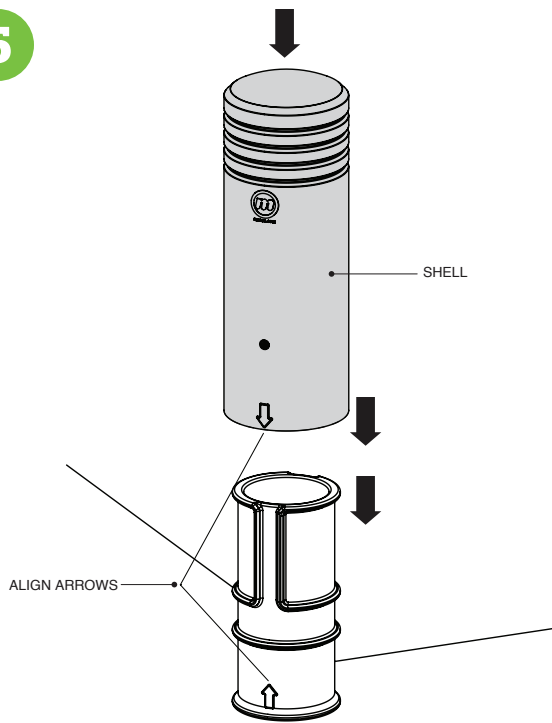


4





5



6

