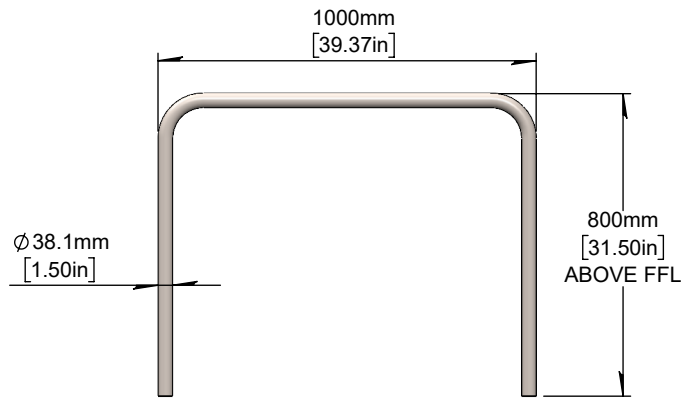
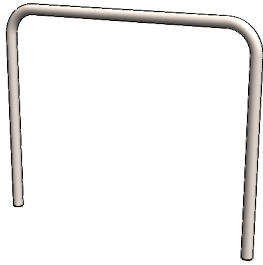
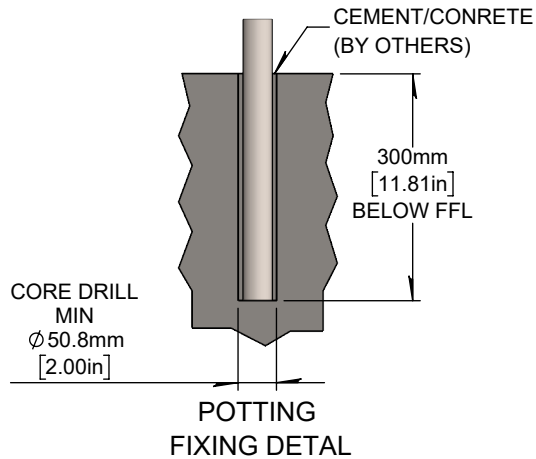
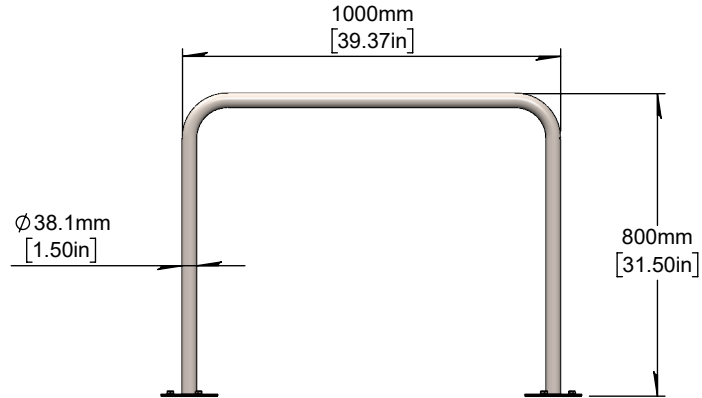
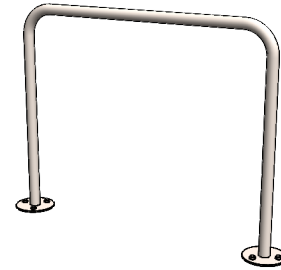




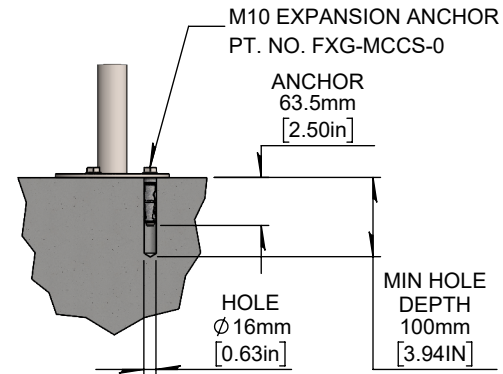
POTTED OPTION
PT.NO. SS-HOOP-CYCLE



SURFACE MOUNTED OPTION
PT.NO. SS-HOOP-CYCLE-SM



**POTTING
FIXING DETAIL**



**SURFACE MOUNTING
FIXING DETAIL**

PROPRIETARY-CONFIDENTIAL: This document contains information proprietary to McCue Corporation. This information is not to be used in any way, disclosed to others or reproduced, in whole or in part, except as expressly authorized in writing by McCue Corporation. Any reproduction of this document, in whole or in part, must include this notice.

Customer Drawing
STAINLESS STEEL
CYCLE HOOPS



McCue US
(978) 741-8500
CustomerCare@mccue.com

McCue UK
+44 1908-365-511
UKCServices@mccue.com

McCue China
+86-592-2200 790
ChinaOffice@mccue.com

mccue.com