

Armco

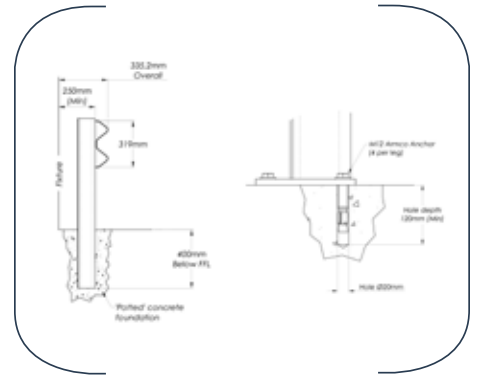
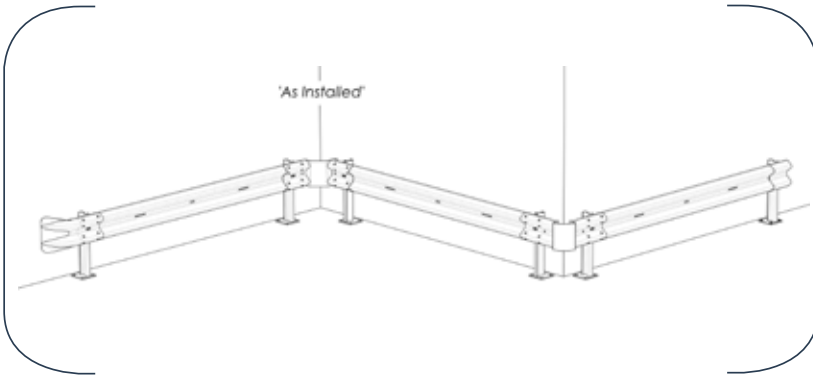
Crash Barrier Rail

CartStopAR is heavy duty, crash barrier rail. Produced in high-strength galvanised steel, it has a long and maintenance-free lifespan. CartStopAR is the ideal solution to stopping very high impact damage by fork-lifts and articulated trucks in loading docks and delivery areas.



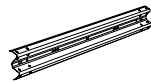
- Modular design to suit any application
- Bright end caps for increased visibility
- Made from galvanised steel providing a high level of durability and strength
- Double height and spring-loaded
- Surface mounted and potted options



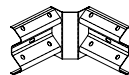


COMPONENTS:

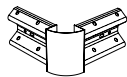
Armco Barrier Rail 3.2
ARMCO-RAIL-3.2



Internal Corner
ARMCO-CORNER INT-R



External Corner
ARMCO-CORNER EXT-R



Fish Tail End
ARMCO-FISHTAIL



Armco End Cap
ARMCO-END CAP



Yellow Plastic End Cap
ARMCO-END CAP YELLOW

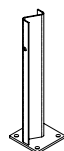


SINGLE HEIGHT ARMCO LEGS

760 Potted Z Post
ARMCO-POTTED-Z POST



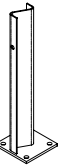
760 Surface Mounted Z Post
ARMCO-Z POST-760



DOUBLE HEIGHT ARMCO LEGS:
1100 Potted Z Post
ARMCO-POTTED Z POST 1100

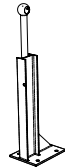


1100 Surface Mounted Z Post
ARMCO-Z-POST 1100



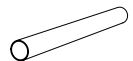
HAND RAIL LEG

Armco Kee Klamp Post (Handrail)
ARMCO-KK-POST



Galvanised Steel Tube
KK-42.4C

Sold in 3m length



Plastic End Cap
KK-133C



Galvanised Steel Handrail Elbow
KK-125C



M12 Heavy Duty Expansion Anchor
FXG-M12-100



Armco Fixing Bolt
ARMCO-BOLT M16X35

