

CartGuard Vertical Bumper



Eye-catching design with superior protection.

Whether you're trying to protect new or existing walls, columns, millwork corners or just trying to cover up old damage, CartGuard Vertical Bumper gets the job done quickly and easily. It's a simple and economical solution for vertical protection.

Strong Impact absorbing rigid PVC takes the hit and redistributes impact energy away from fixtures and walls

Speedy Install All parts snap together for easy installation and guaranteed alignment

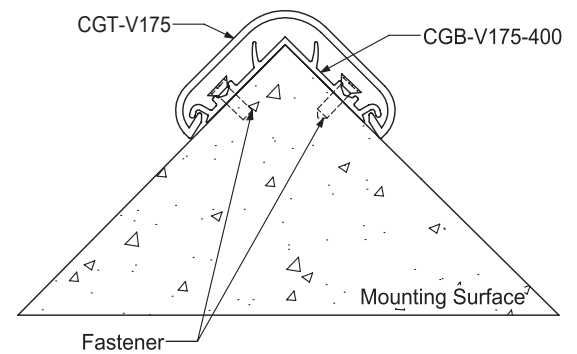
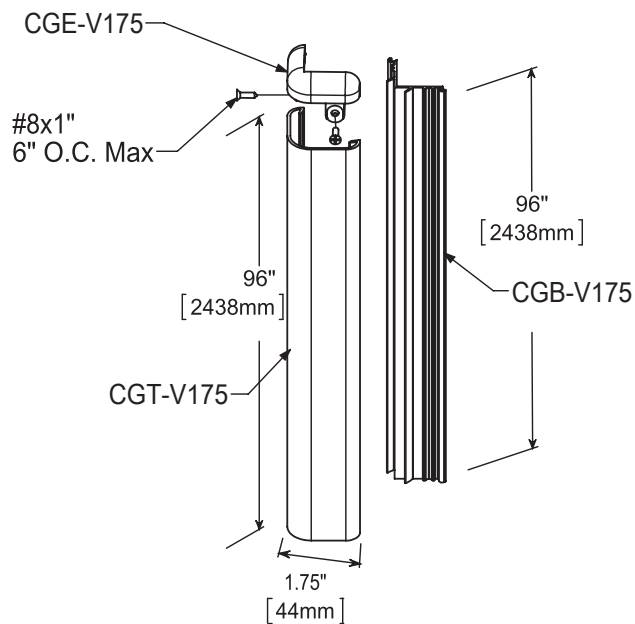
Superior Won't rust or corrode like metal corner guards—perfect for areas frequently subjected to moisture and cleaning chemicals



CartGuard Vertical Bumper



Specifications:



Smart

- Two piece system for long lasting durability
- Snap on secure end cap finishes off the top with a nice clean look
- Available in a wide range of colors to match your stores decor
- Inexpensive to retrofit and replace

U.S. Patent Numbers: 5096753, 5149569



McCue Corporation
Peabody, MA 01960, USA
+1 (800) 800 8503
customer@McCue.com

McCue UK & Europe
Milton Keynes, United Kingdom
+44 (0)1908 365 511
uksales@McCue.com

McCue Asia
迈客(厦门)有限公司
Xiamen, Fujian, China
+86-592-2200790

mccue.com

